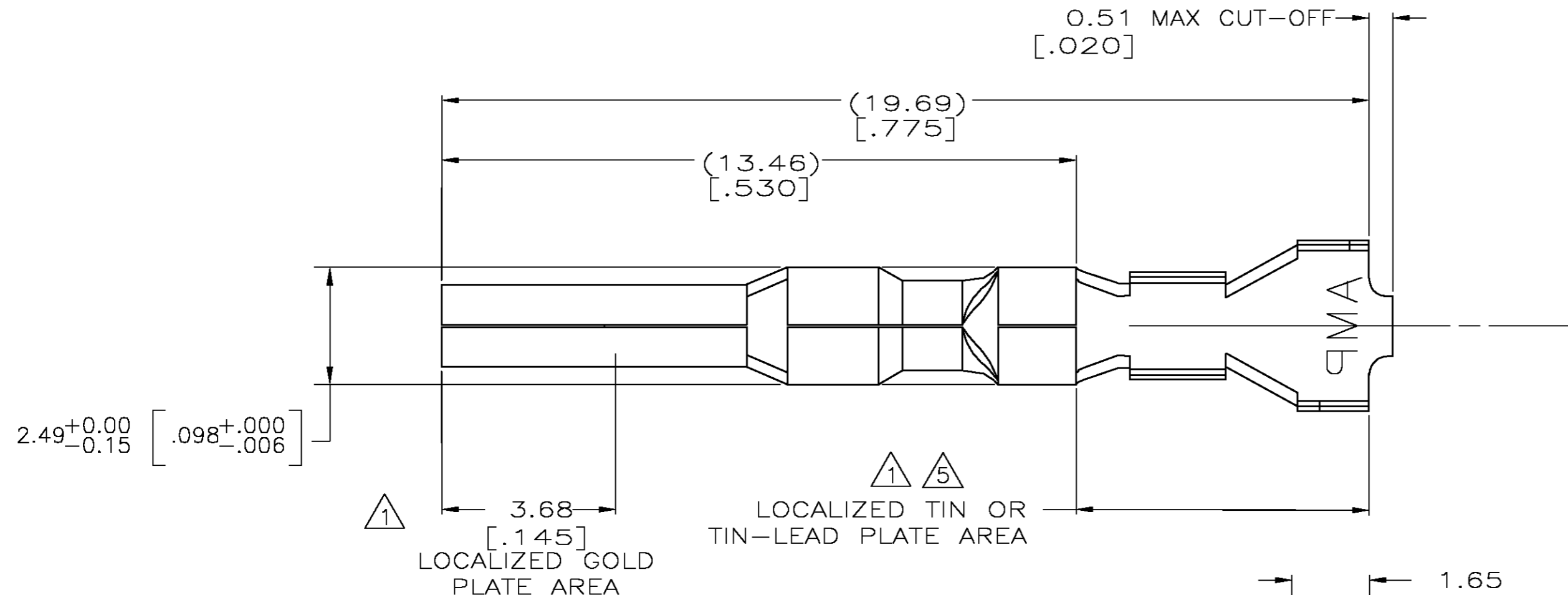
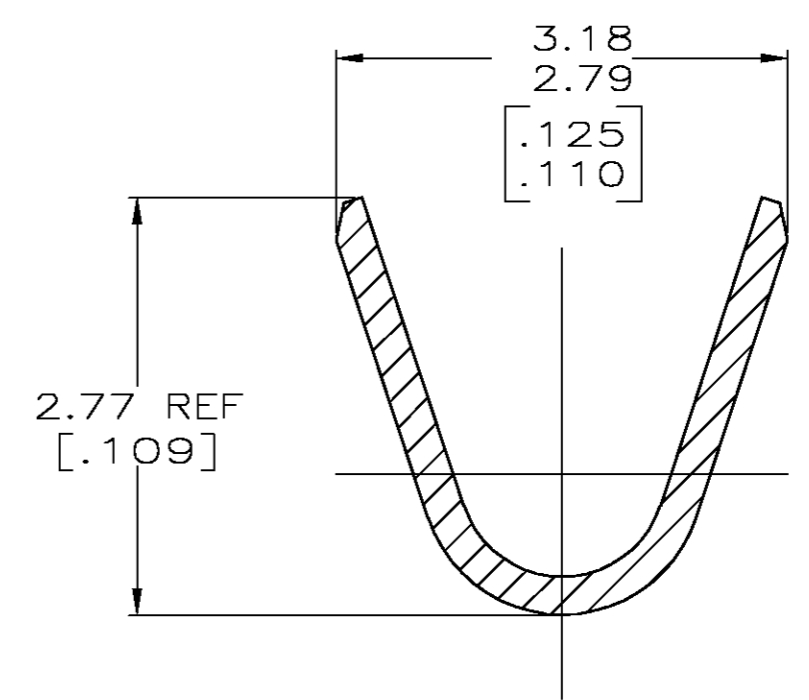
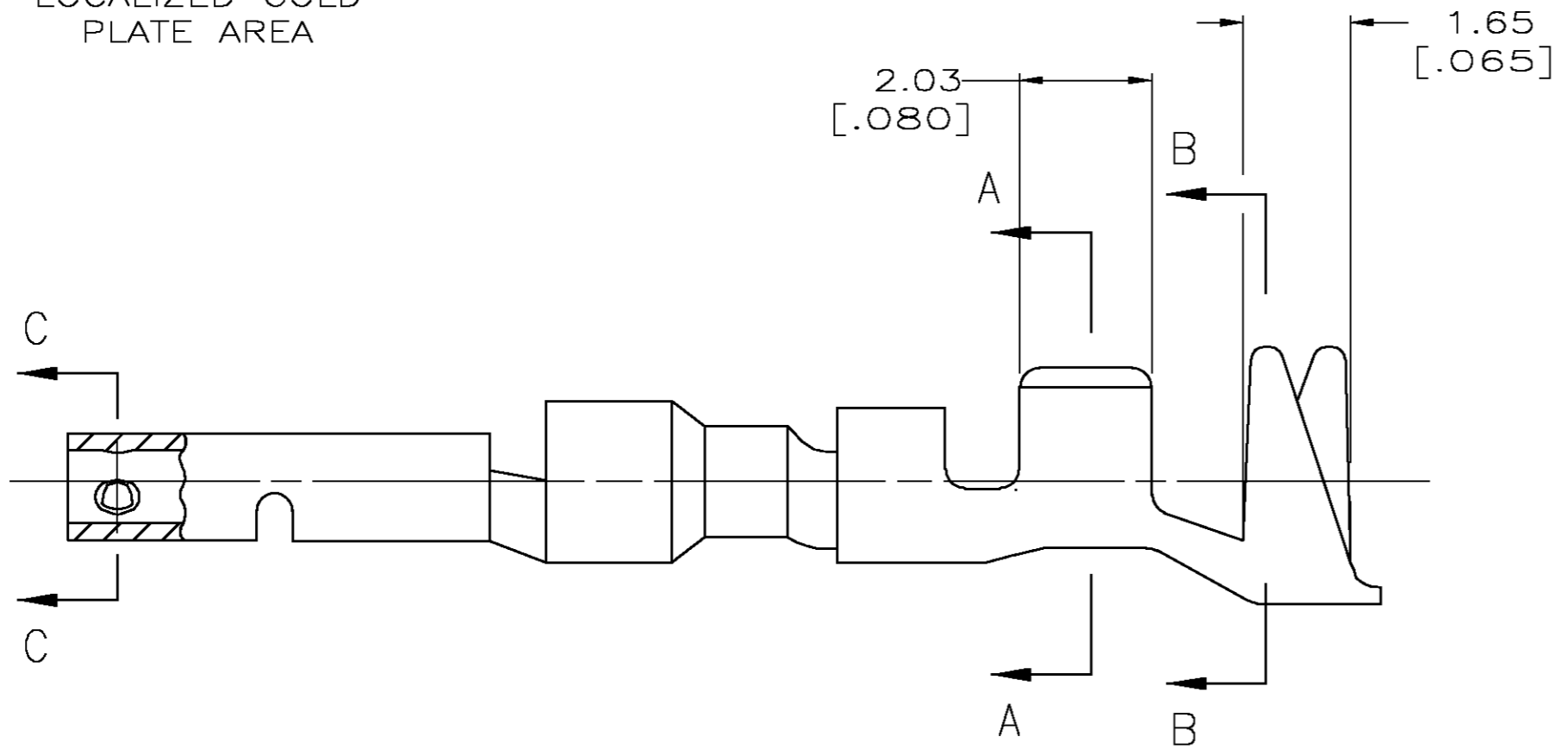


THIS DRAWING IS UNPUBLISHED. RELEASED FOR PUBLICATION
 © COPYRIGHT BY TYCO ELECTRONICS CORPORATION. ALL RIGHTS RESERVED.

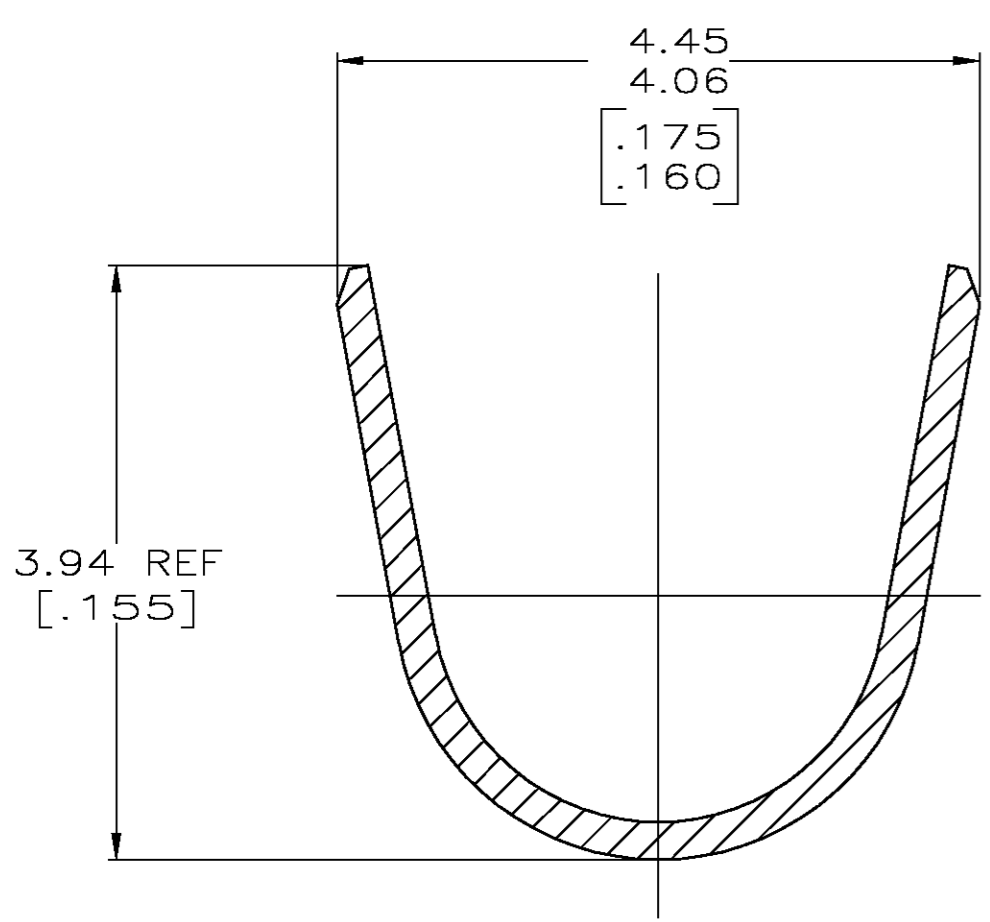
LOC		DIST		REVISIONS			
P	LTR	DESCRIPTION		DATE	DWN	APVD	
		D		REVISED PER EC 0G3B-0387-03	21MAY03	SC CJ	



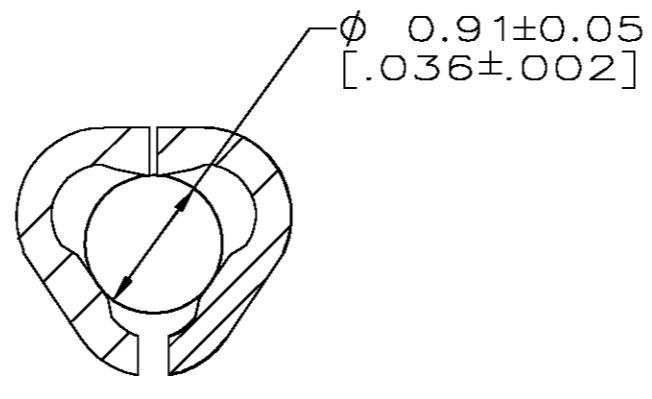
- 1. 0.00076[.000030] MIN. GOLD IN LOCALIZED GOLD PLATE AREA AND 0.00254-0.00635[.000100-.000250] BRIGHT TIN-LEAD IN LOCALIZED TIN-LEAD PLATE AREA OVER 0.00127[.000050] MIN. NICKEL.
- 2. WIRE RANGE: 0.5-1.4MM² (20-16 AWG).
- 3. INSULATION RANGE: 2.01-3.20[.079-.126] DIA.
- 4. DIMENSIONS IN BRACKETS ARE IN INCHES.
- 5. 0.00076[.000030] MIN. GOLD IN LOCALIZED GOLD PLATE AREA AND 0.00254-0.00635[.000100-.000250] BRIGHT TIN IN LOCALIZED TIN PLATE AREA OVER 0.00127[.000050] MIN. NICKEL.



SECTION A-A
SCALE 20:1



SECTION B-B
SCALE 20:1



SECTION C-C
SCALE 20:1

5	0.25[.010] BRASS	1-794231-0
1	0.25[.010] BRASS	794231-3
PRE-TIN	0.25[.010] BRASS	794231-1

THIS DRAWING IS A CONTROLLED DOCUMENT.		DWN S. CARPENTER 21MAY2003	Tyco Electronics Corporation Harrisburg, PA 17105	
DIMENSIONS: INCHES		CHK C. JONES 21MAY2003	NAME C. JONES	
TOLERANCES UNLESS OTHERWISE SPECIFIED: 0 PLC ± - 1 PLC ± - 2 PLC ± - 3 PLC ± 0.15 [.006] 4 PLC ± - ANGLES ± -		APVD C. JONES 21MAY2003	PRODUCT SPEC	
MATERIAL SEE TABLE		FINISH SEE TABLE	APPLICATION SPEC	RESTRICTED TO
CUSTOMER DRAWING		WEIGHT	SIZE A2	CAGE CODE 00779
		SCALE 10:1	DRAWING NO C=794231	REV D

794231