

2J3015M

(Datasheet)

Type	ISM antenna
Frequencies	ISM (868 MHz)
Mounting	Magnetic Mount
Revision	00




P. Tipul


D. Noble

1. SPECIFICATION

1.1. Electrical Specifications

Frequencies	ISM (868 MHz)
Impedance	50 Ohms
Polarization	VERTICAL
Gain	3 dBi Max
VSWR	<1.5:1
Power handling	25W
Operating temperature	-40°C to +85°C

1.2. Connection Specifications

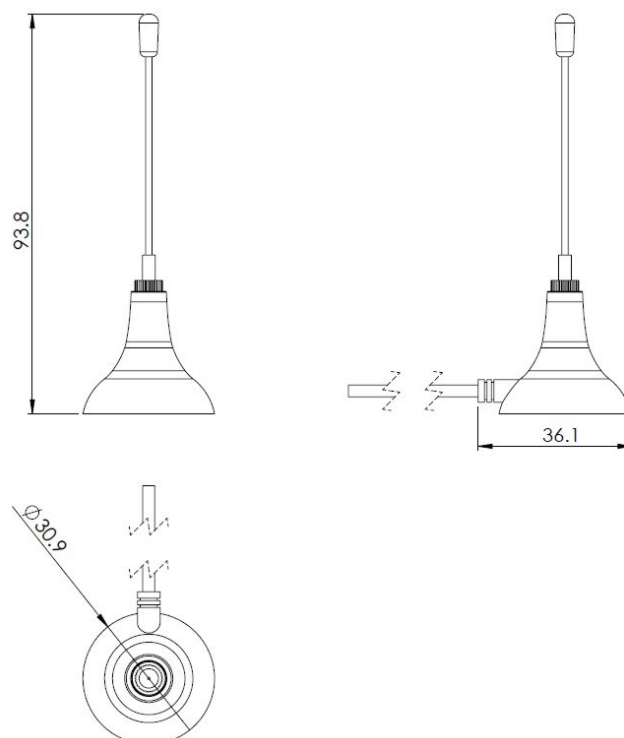
Connector type: SMA male
 Cable: RG174U
 Cable length: 250 cm

For different cable and connector please ask our sales team.

1.3. Mechanical Specifications and Dimensions

1.3.1. Magnetic Mount

Material: Base: ABS / Whip: Stainless Steel with black chrome finish
 Max. dimensions: 30.9mm x 93.8mm (D x H)
 Weight: 62 g 'weight with default connection'
 Colour: Black (for different colours please ask our sales team)



2. MEASUREMENT

- Tested with 15cm RG174 on 20x20cm ground plane
- Antenna placed in anechoic chamber
-

Freq = 0.8680GHz Az= 45 EL= 45

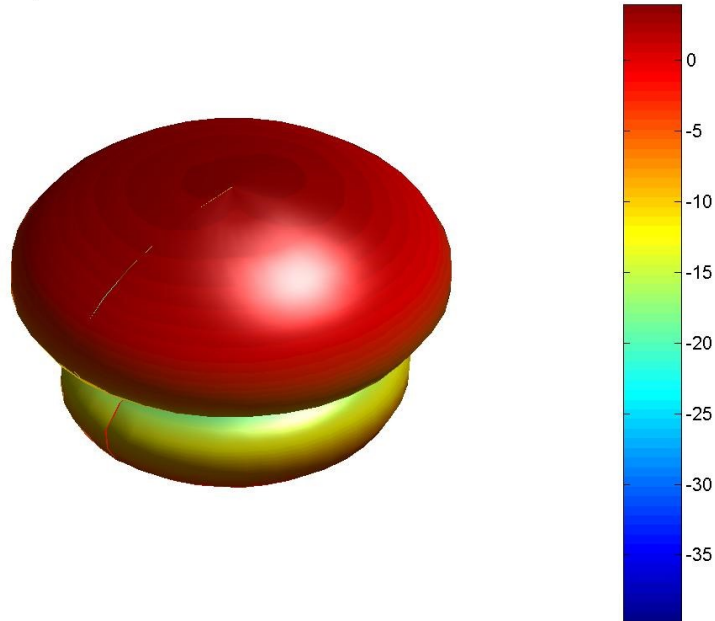
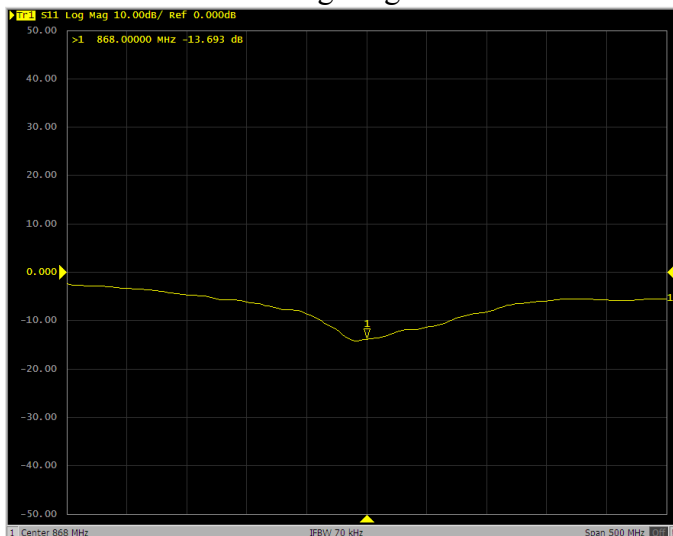


Figure 1 - 3D radiation pattern

Log Mag



VSWR

