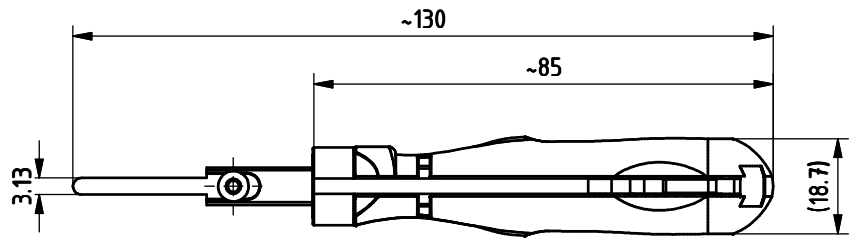
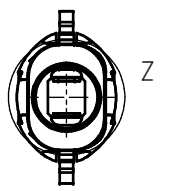
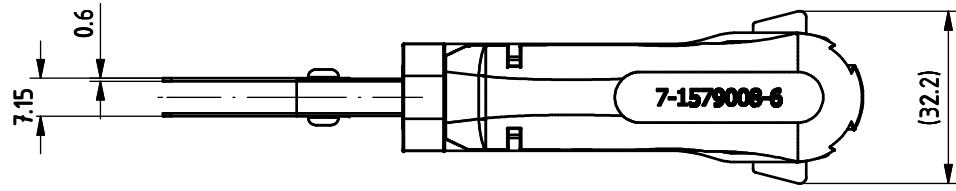
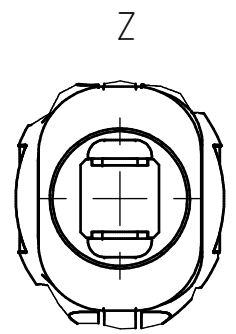
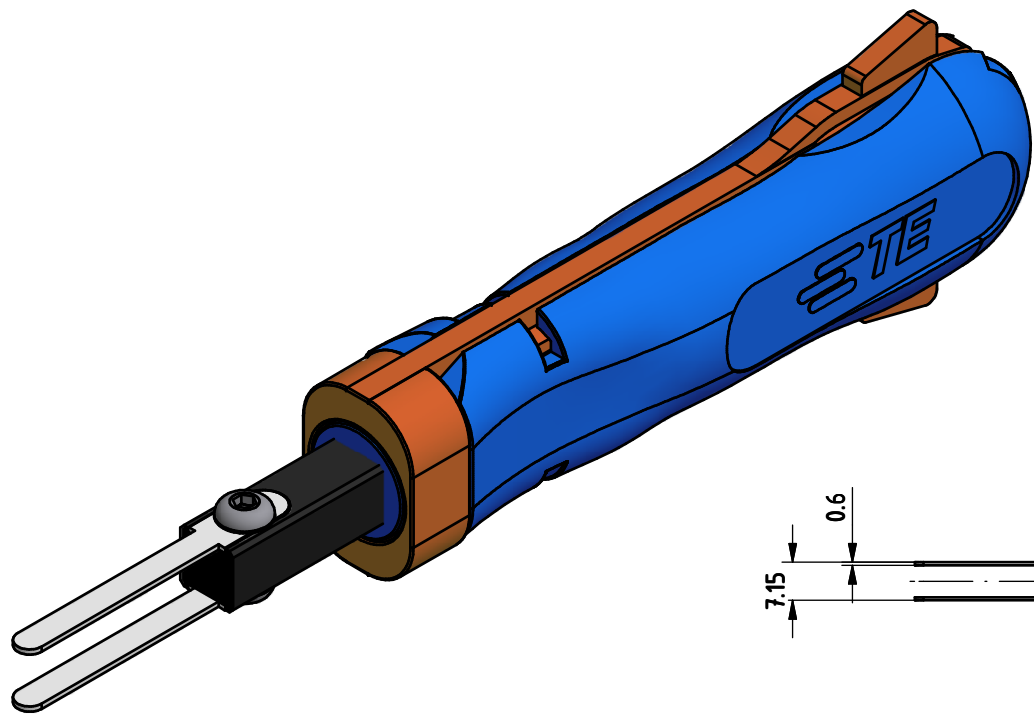


LOC	DIST	REVISIONS					
AI	00	P	LTR	DESCRIPTION	DATE	DWN	APVD
		A1		ECR-17-017424	30NOV17	MG	BM



APPLICATION RANGE / Anwendungsbereich:

FOR TYPE XII : X-66740-X, X-66741-X, X-66261-X,
 X-66255-X, X-66262-X, X-66256-X
 X-66259-X, X-66253-X, X-66260-X
 X-66254-X
 FOR HOUSING : X-206425-X

THIS DRAWING IS A CONTROLLED DOCUMENT.		DWN	S.Samstag	06.05.2009	TE Connectivity			
		CHK	S.Samstag	06.05.2009				
		APVD	S.Samstag	06.05.2009	NAME			
		PRODUCT SPEC			UNLOCKING TOOL			
		APPLICATION SPEC			Entriegelungswerkzeug			
DIMENSIONS: mm		TOLERANCES UNLESS OTHERWISE SPECIFIED:			SIZE	CAGE CODE	DRAWING NO	RESTRICTED TO
		0 PLC ± 1 PLC ± 2 PLC ± 3 PLC ± 4 PLC ± ANGLES ±			A3	00779	C-7-1579008-6	
MATERIAL		FINISH			Gewicht / Weight in Kg		SCALE	
					0.024 kg		1:1	
CUSTOMER DRAWING					SHEET		REV	
					1 OF 1		A1	