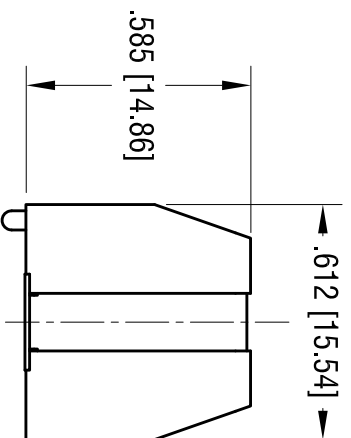
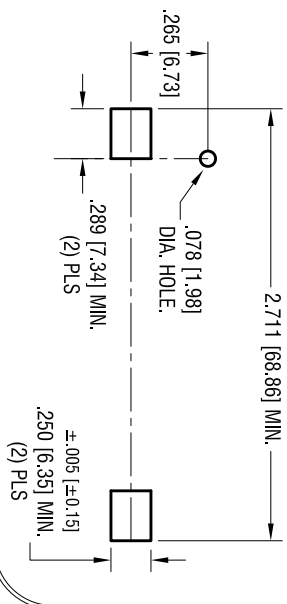
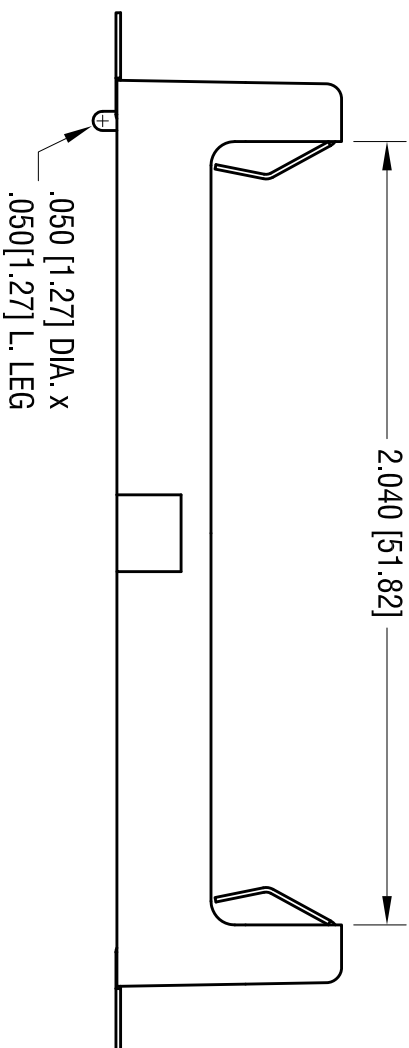
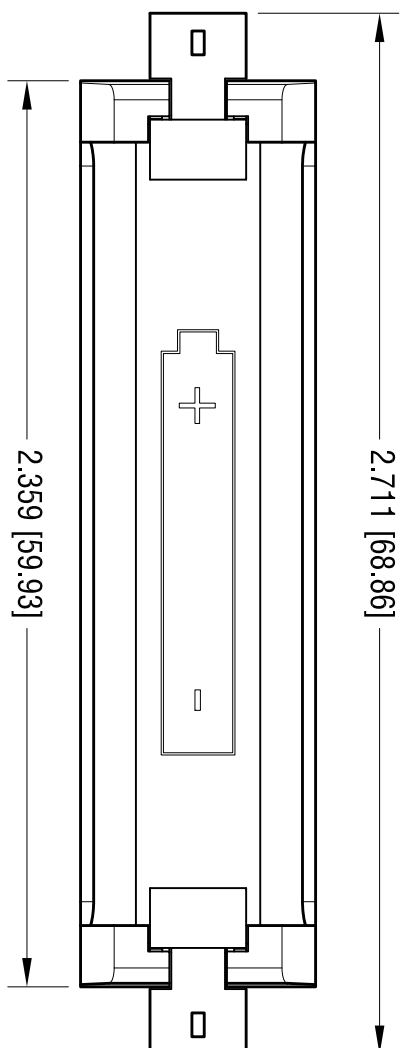


**MOUNTING PAD LAYOUT**

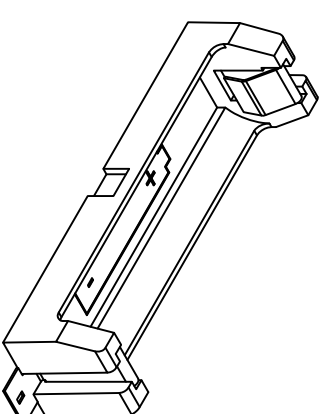


**NOTE:**  
 1. BASE:  
 MAT'L: HEAT RESISTANCE NYLON  
 STANLYL 46 OR EQUIVALENT

2. CONTACT:  
 MAT'L: .012 [0.30] THK PHOSPHOR BRONZE  
 FINISH: GOLD FLASH, OVER NICKEL PLATE.



.250 [6.35]  
 (2) PLS



| DATE    | DESCRIPTION              | REV. |
|---------|--------------------------|------|
| 2.17.10 | CHANGE AS PER ECN 10-014 | A    |

**KEYSTONE ELECTRONICS CORP.**  
 www.keystone.com • ASTORIA, N.Y. 11105-2017 • Tel (718) 956-8900

**PART NAME**  
 SM BATTERY HOLDER, AA

**MATERIAL**  
 AS NOTED

**FINISH**  
 AS NOTED

| TOLERANCES | INCH   | [MM]     | CODE | DWG NO. |
|------------|--------|----------|------|---------|
| DECIMAL    | ± .010 | [± 0.25] | C    | 1024    |
| ANGULAR    | ± 1°   |          |      |         |

THIS DOCUMENT IS THE PROPERTY OF KEYSTONE ELECTRONICS CORP. AND SHALL NOT BE REPRODUCED, DISTRIBUTED OR USED AS A BASIS FOR MANUFACTURE WITHOUT PRIOR WRITTEN PERMISSION FROM KEYSTONE ELECTRONICS CORP.

DRN BY: NT  
 DATE: 12.09.09  
 App'D: LN  
 SCALE: 2X