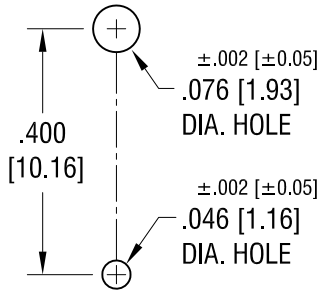
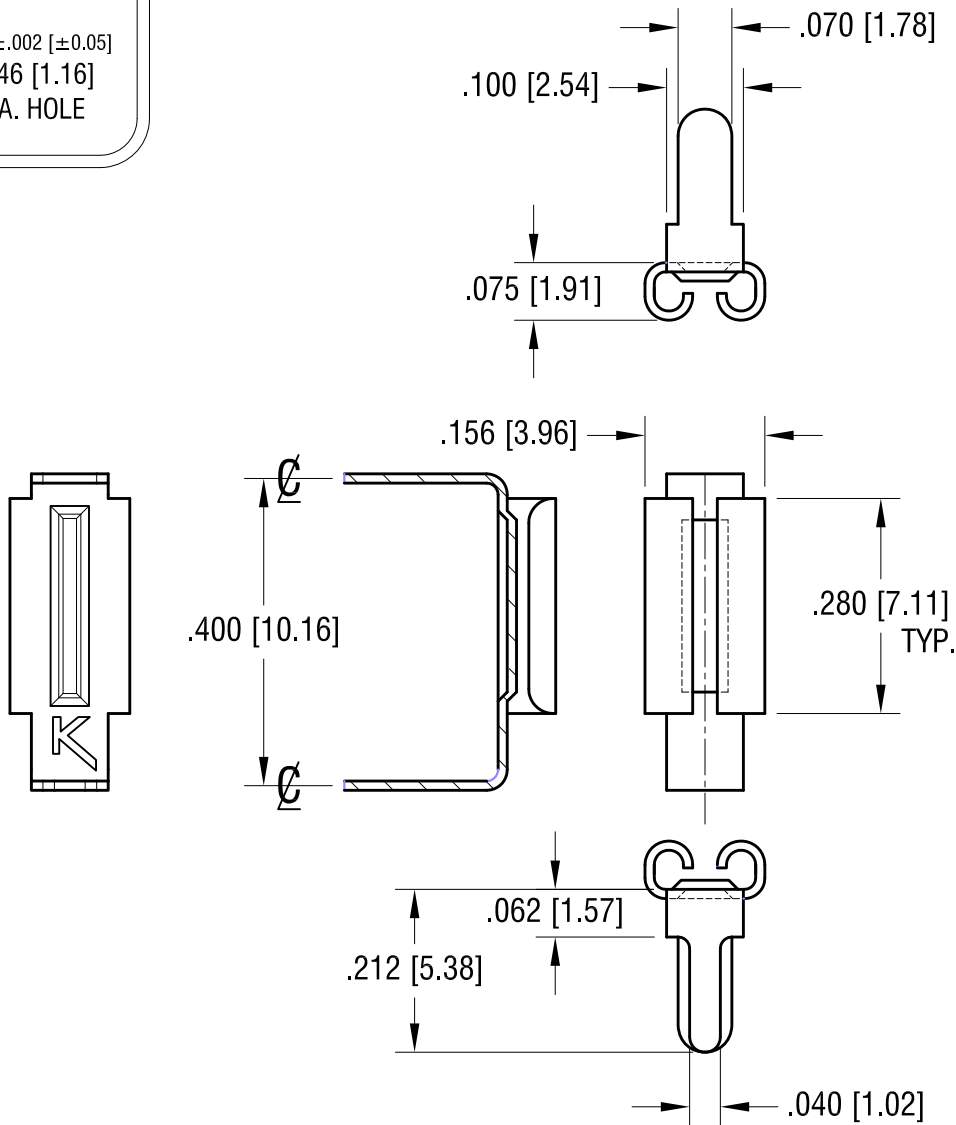


THIS DOCUMENT IS THE PROPERTY OF
KEYSTONE ELECTRONICS CORP. AND
SHALL NOT BE REPRODUCED, DISTRIBUTED
OR USED AS A BASIS FOR MANUFACTURE
WITHOUT PRIOR WRITTEN PERMISSION
FROM KEYSTONE ELECTRONICS CORP.

MOUNTING DETAIL



ACTUAL SIZE



KEYSTONE ELECTRONICS CORP.

www.keyelco.com • ASTORIA, N.Y. 11105-2017 • Tel (718) 956-8900

PART NAME

.110 x .020 HORIZONTAL QUICK CONNECT

MATERIAL

.012 [0.30] TH'K BRASS

FINISH

TIN NICKEL PLATE

DRN BY

BOONE

DATE

11.10.94

APP'D

LN

SCALE

4X

TOLERANCES

INCH [MM]

DECIMAL

± .005 [± 0.15]

ANGULAR ± 1°

UNLESS OTHERWISE SPECIFIED

CODE

C

DWG NO.

3545

8.30.12	CHANGE AS PER ECN 12-121	D
6.26.09	CHANGE AS PER ECN 09-09-086	C
10.18.05	CHANGE AS PER ECN 05-074	B
DATE	DESCRIPTION	REV.