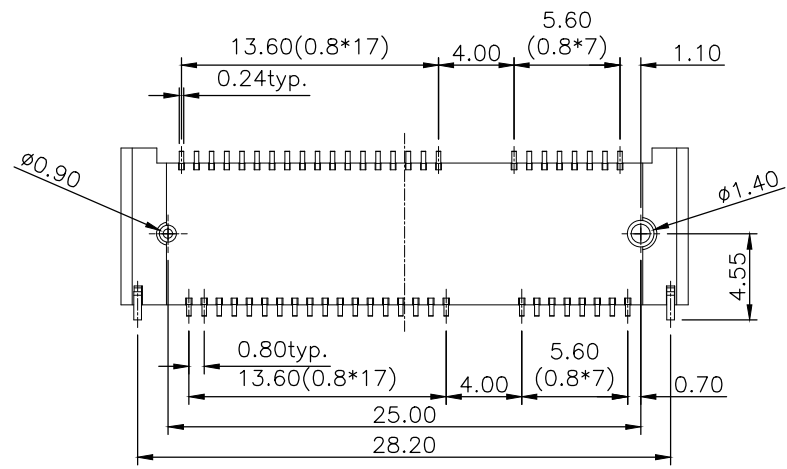
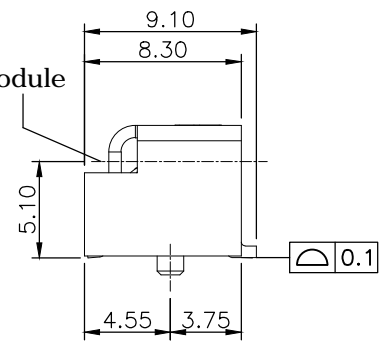


CL of Module



REV.	DESCRIPTION	DRAWN	DATE
1	INITIAL RELEASE	FROS	2015/07/06
2	CORRECTED PLATING SPEC.	FROS	2015/07/30
3	REVISED DATECODE	FROS	2015/07/31

SPECIFICATION:

1. ELECTRICAL
 - 1.1 Current Rating: 0.3A per pin
 - 1.2 Voltage Rating: 25VAC
 - 1.3 Contact Resistance: 30mΩ
 - 1.4 Insulation Resistance: 500MΩ
 - 1.5 Dielectric Withstanding Voltage: 250VAC

2. MECHANICAL
 - 2.1 Durability: 50 Cycle
 - 2.2 Contact Normal Force: 50gf per pin min.
 - 2.3 Contact Retention Force: 180gf per pin min.

3. ENVIRONMENTAL
 - 3.1 Operating temperature range: -40°C~+90°C
 - 3.2 Storage temperature range: -40°C~+90°C

4. SOLDER ABILITY
 - 4.1 Recommended IR Reflow (Wave Soldering) Temperature: 260°C

△ Date Code: Y WW D
 Year Week(1~52) Day(1~7)

3	HOLD DOWN	Brass, C2680R-H, solder area: 100u" Matte Tin plated, under-plated 50u" Nickel
2	CONTACT	Phosphor Bronze, C5191R-H contact area: Gold Flash, solder area: 100u" Matte Tin, all under-plated 50u" Nickel
1	HOUSING	LCP, UL94V-0, Black
NO.	PART NAME	DESCRIPTION

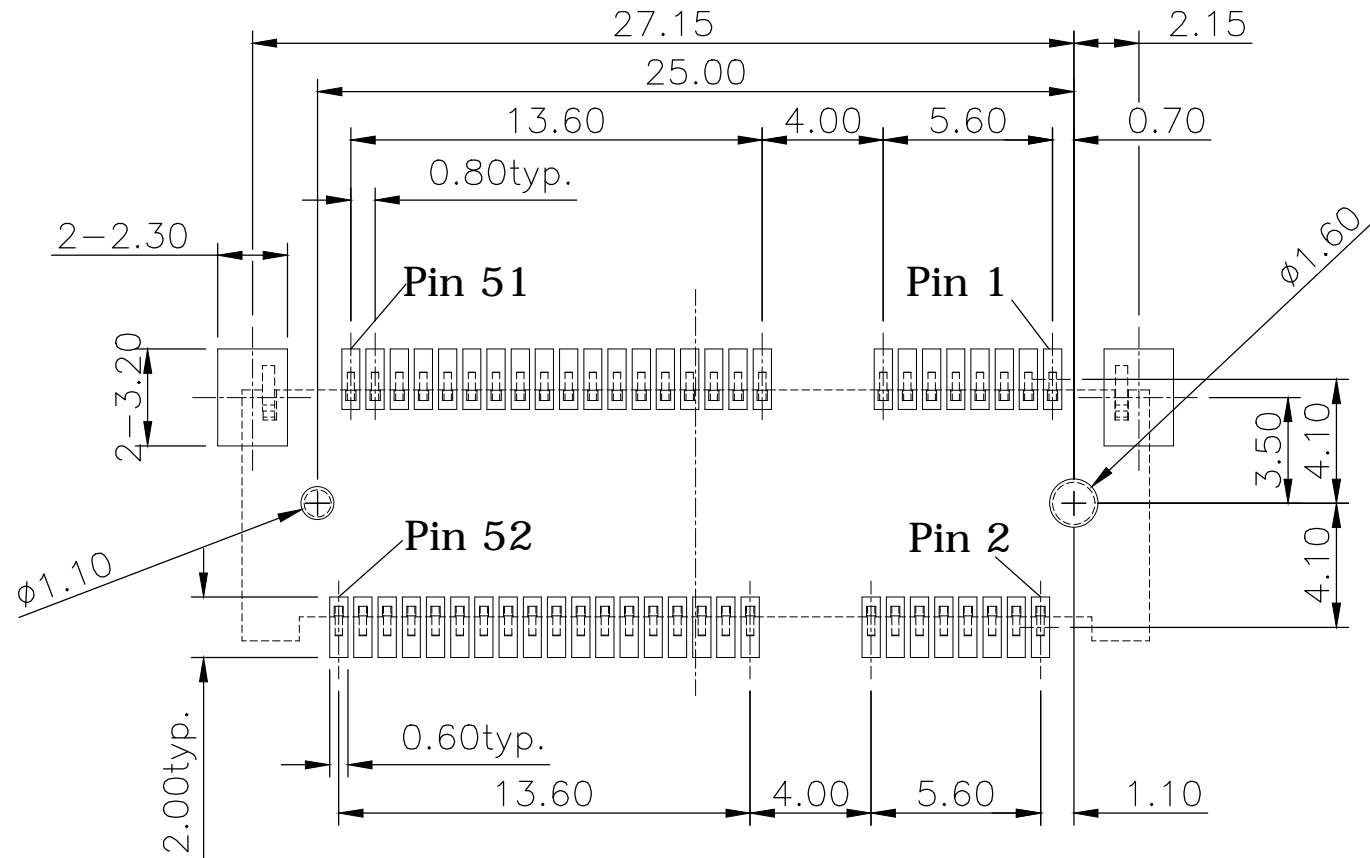
UNLESS OTHERWISE SPECIFIED TOLERANCE			
UNIT:	DECIMAL	LINEAR	ANGLES
mm	X.	±0.50	±5°
	X.X	±0.25	±3°
	X.XX	±0.12	±1°




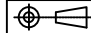
WWW.ATTEND.COM.TW

DRAWN	Fros	2015/07/06	DRAWN NAME:	
CHECKED	Zola	2015/07/06	Mini PCI Express Connector, H7.0mm	
APPROVED	Ken	2015/07/06	PRODUCT NO.	119A-70A00-R02
SCALE	2.5/1	SHEET	1/3	SIZE
			A4	FILE NAME
				119A-70A00-R02_B_3

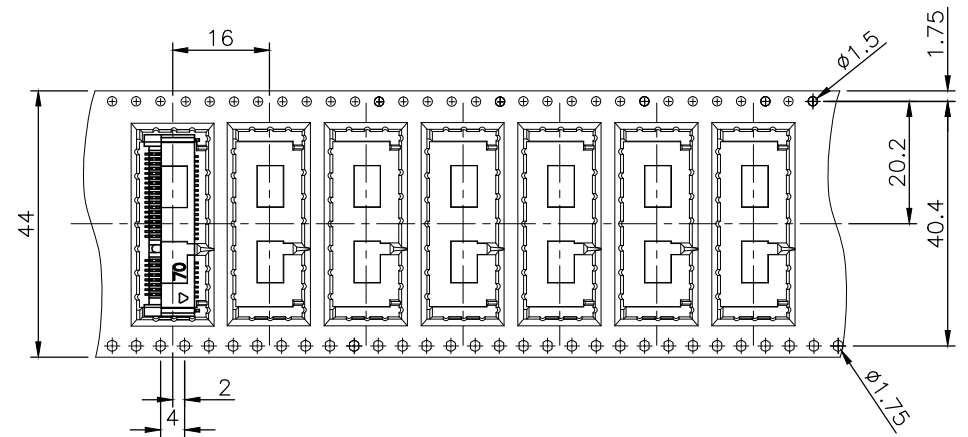
REV.	DESCRIPTION	DRAWN	DATE
	SEE SHEET ONE		



RECOMMEND LAYOUT (TOP VIEW)
GENERAL TOLERANCE: ± 0.05

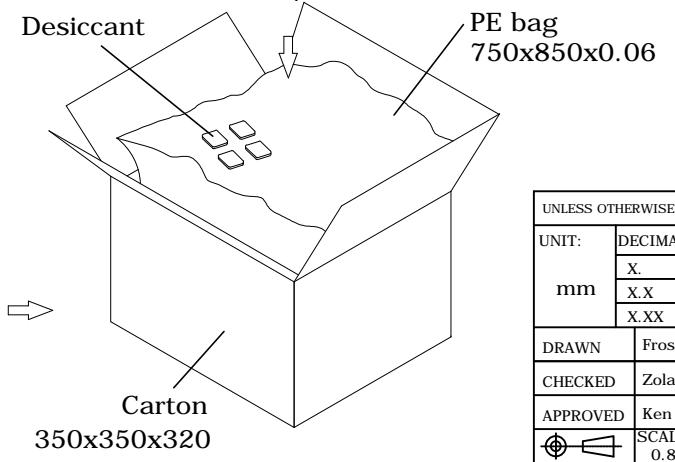
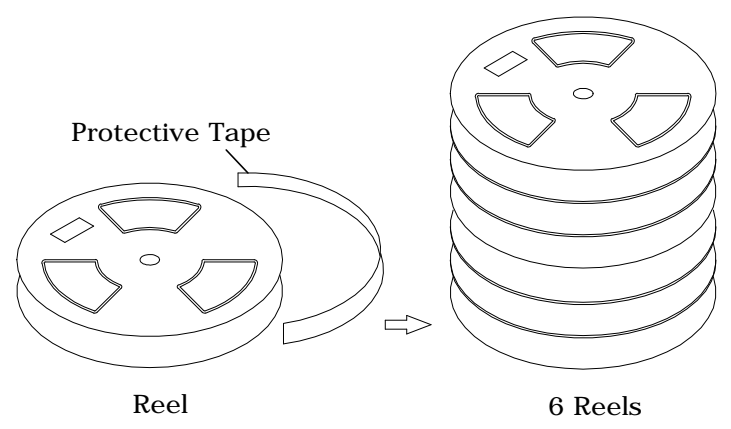
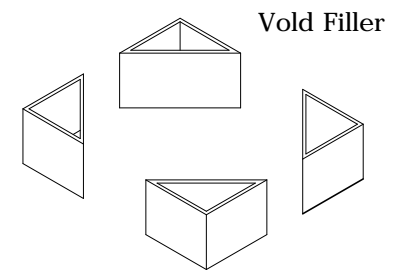
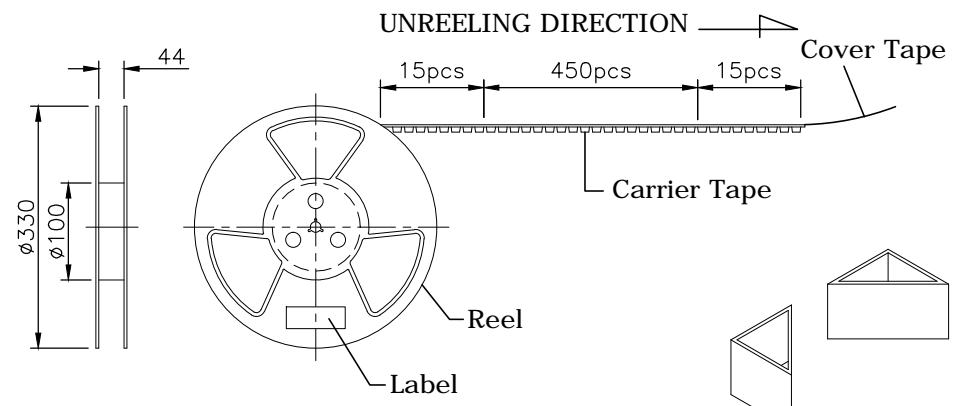
UNLESS OTHERWISE SPECIFIED TOLERANCE				 WWW.ATTEND.COM.TW	
UNIT:	DECIMAL	LINEAR	ANGLES		
mm	X.	± 0.50	$\pm 5^\circ$		
	X.X	± 0.25	$\pm 3^\circ$		
	X.XX	± 0.12	$\pm 1^\circ$		
DRAWN	Fros	2015/07/06	DRAWN NAME:		
CHECKED	Zola	2015/07/06	Mini PCI Express Connector, H7.0mm		
APPROVED	Ken	2015/07/06	PRODUCT NO.	119A-70A00-R02	
	SCALE	SHEET	SIZE	FILE NAME	
	4/1	2/3	A4	119A-70A00-R02_B_3	

REV.	DESCRIPTION	DRAWN	DATE
	SEE SHEET ONE		



PACKAGING SPECIFICATION:

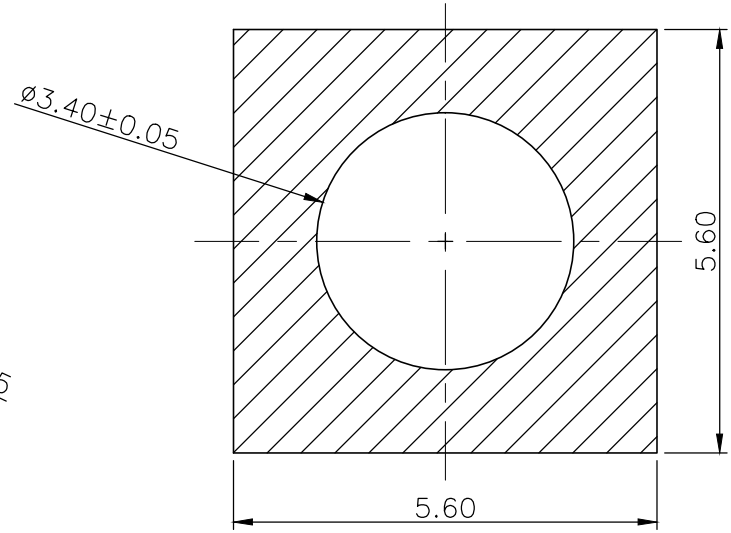
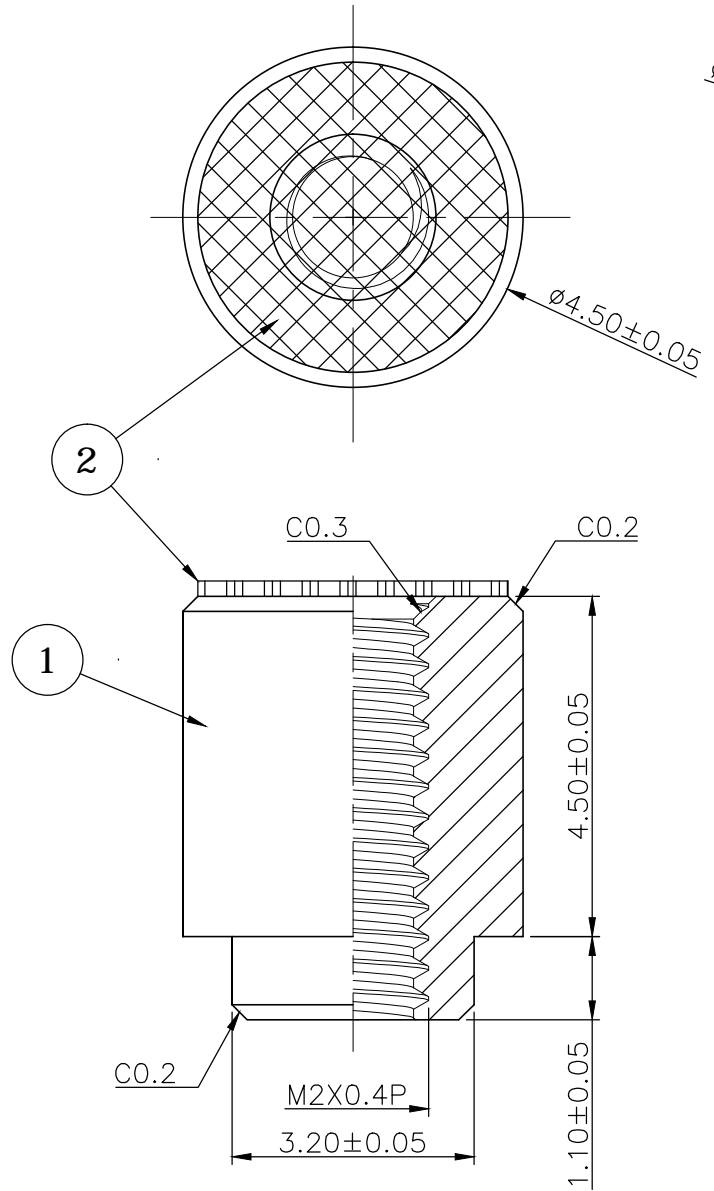
1. MATERIAL
 - 1.1 Embossed Carrier Tape: PS Black
 - 1.2 Top Cover Tape: PET
20-80g(Peel Speed 300mm/Minute)
 - 1.3 Taping Reel: Plastic
2. PACKING
 - 2.1 Quantity:
 - 450 Piece/Reel
 - 6 Reel/ Carton
 - 2,700 Piece/ Carton



UNLESS OTHERWISE SPECIFIED TOLERANCE			
UNIT:	DECIMAL	LINEAR	ANGLES
mm	X.	±0.50	±5°
	X.X	±0.25	±3°
	X.XX	±0.12	±1°

DRAWN	Fros	2015/07/06	DRAWN NAME:	
CHECKED	Zola	2015/07/06	Mini PCI Express Connector, H7.0mm	
APPROVED	Ken	2015/07/06	PRODUCT NO.	119A-70A00-R02
SCALE	0.8/1	SHEET	3/3	FILE NAME
		SIZE	A4	119A-70A00-R02_B_3

REV.	DESCRIPTION	DRAWN	DATE
1	INITIAL RELEASE	FROS	2015/07/09



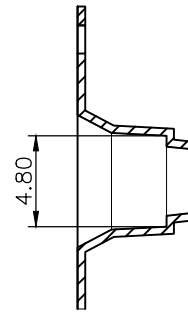
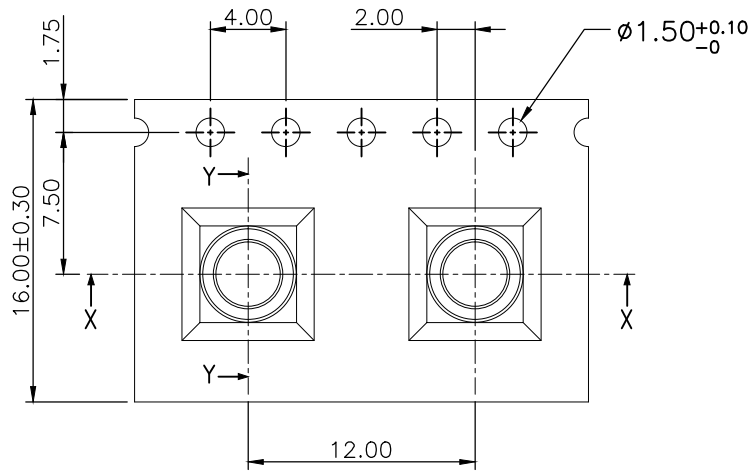
RECOMMENDED PCB LAYOUT

2	MYLAR								
1	NUT	Copper alloy, Tin plated							
NO.	PART NAME	DESCRIPTION							
UNLESS OTHERWISE SPECIFIED TOLERANCE									
UNIT:	DECIMAL	LINEAR	ANGLES						
mm	X.	±0.50	±5°						
	X.X	±0.25	±3°						
	X.XX	±0.12	±1°						
DRAWN			Fros	2015/07/09	DRAWN NAME: Mini PCI Express Stand Off				
CHECKED			Zola	2015/07/09					
APPROVED			Ken	2015/07/09	PRODUCT NO. 119A-NUT-70-R02				
SCALE			10/1	SHEET	1/2	SIZE	A4	FILE NAME	119A-NUT-70-R02_B_1

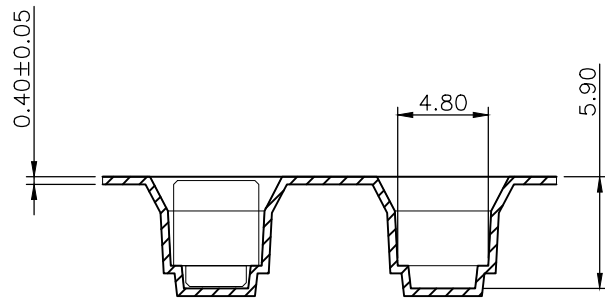


WWW.ATTEND.COM.TW

REV.	DESCRIPTION	DRAWN	DATE
	SEE SHEET ONE		




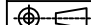
SECTION Y-Y



SECTION X-X

Note:

1. Part conforms to EIA-481-D standards
2. Material: Conductive polystyrene
3. Component packing to 13 inch reel, 900 pcs

UNLESS OTHERWISE SPECIFIED TOLERANCE				 WWW.ATTEND.COM.TW		
UNIT:	DECIMAL	LINEAR	ANGLES			
mm	X.	±0.50	±5°			
	X.X	±0.25	±3°			
	X.XX	±0.12	±1°			
DRAWN	Fros	2015/07/09	DRAWN NAME:			
CHECKED	Zola	2015/07/09	Mini PCI Express Stand Off			
APPROVED	Ken	2015/07/09	PRODUCT NO.	119A-NUT-70-R02		
	SCALE	SHEET	SIZE	FILE NAME		
	2.5/1	2/2	A4	119A-NUT-70-R02_B_1		