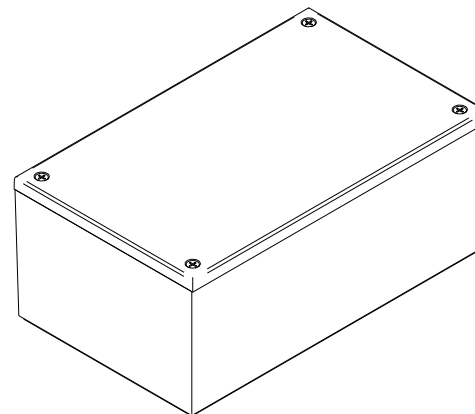
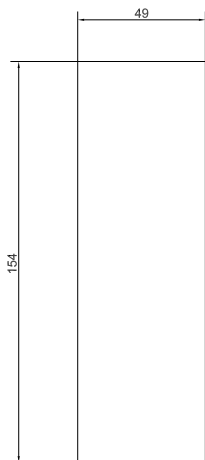


PCB MAX SIZE



	Description Assembly CP/3		Part Number CP/3	
	Subject to technical modification without prior notice. Tipographical and other errors do not justify any claim for damages. All dimensions should be verified using an actual moulded part.			
	This document contains proprietary information of TEKO S.p.A. and is licensed subject to the conditions that the information be released in confidence not be reproduced or copied and not be used or incorporated in any product.		Date 14/12/2005	Drawing Sheet A1