

Article datasheet

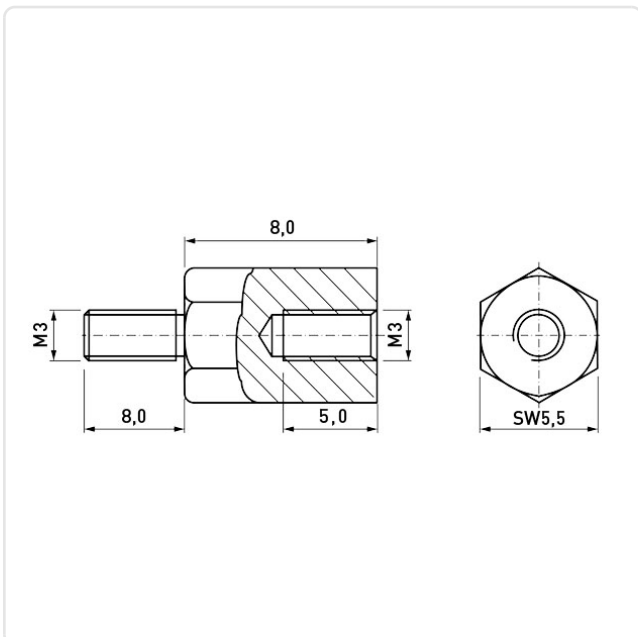
Standoff Plain Stainless Steel M/F AF5.5x8 F=M3x5 M=M3x8 w/ Undercut

Article-No.: 005.13.908



Image may be similar

AF / OD [mm]:	5.5
Female Thread Length [mm]:	5
Female Thread Size:	M3
Finish:	Plain
Length [mm]:	8
Male Thread Length [mm]:	8
Male Thread Size:	M3
Material:	Stainless Steel AISI 303 / X8CrNiS18-9
Material Group:	Stainless Steel
Profile:	Hexagonal
Undercut:	Yes
Weight:	1.62g
Conformities:	



You can find all information on the web on our article detail page

Would you like individual advice?
We look forward to your email to products@ettinger.de.

Subject to change and errors.