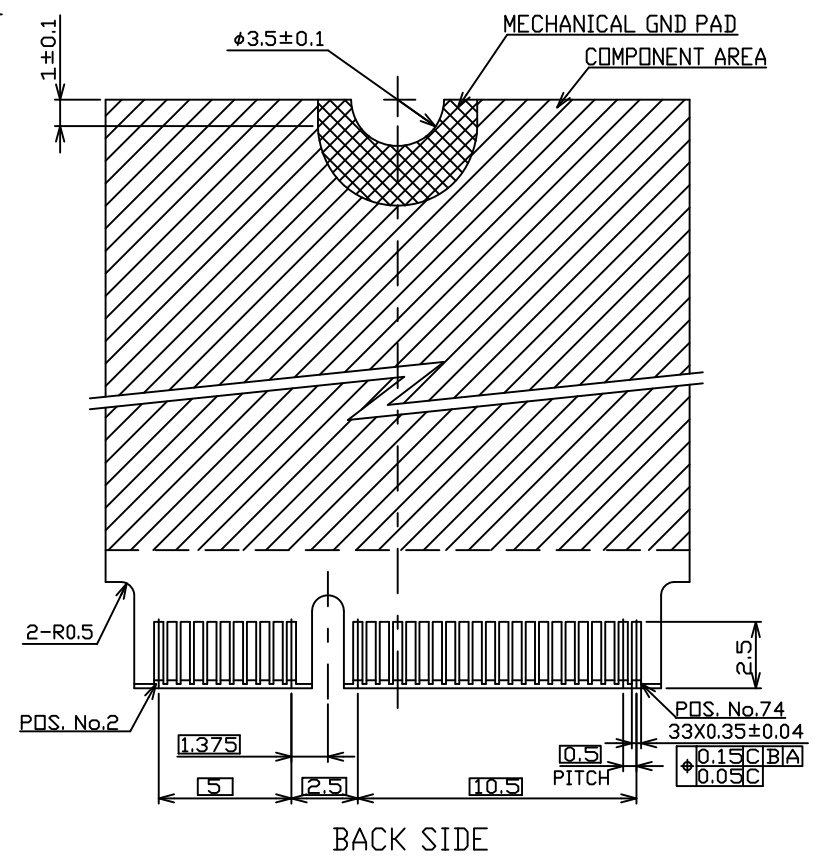
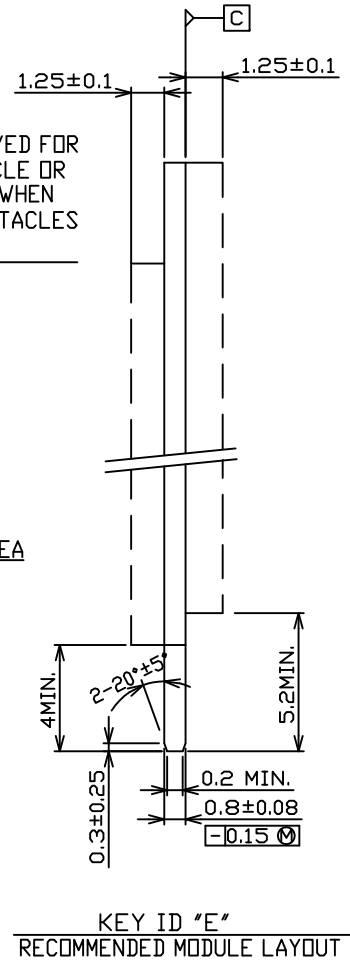
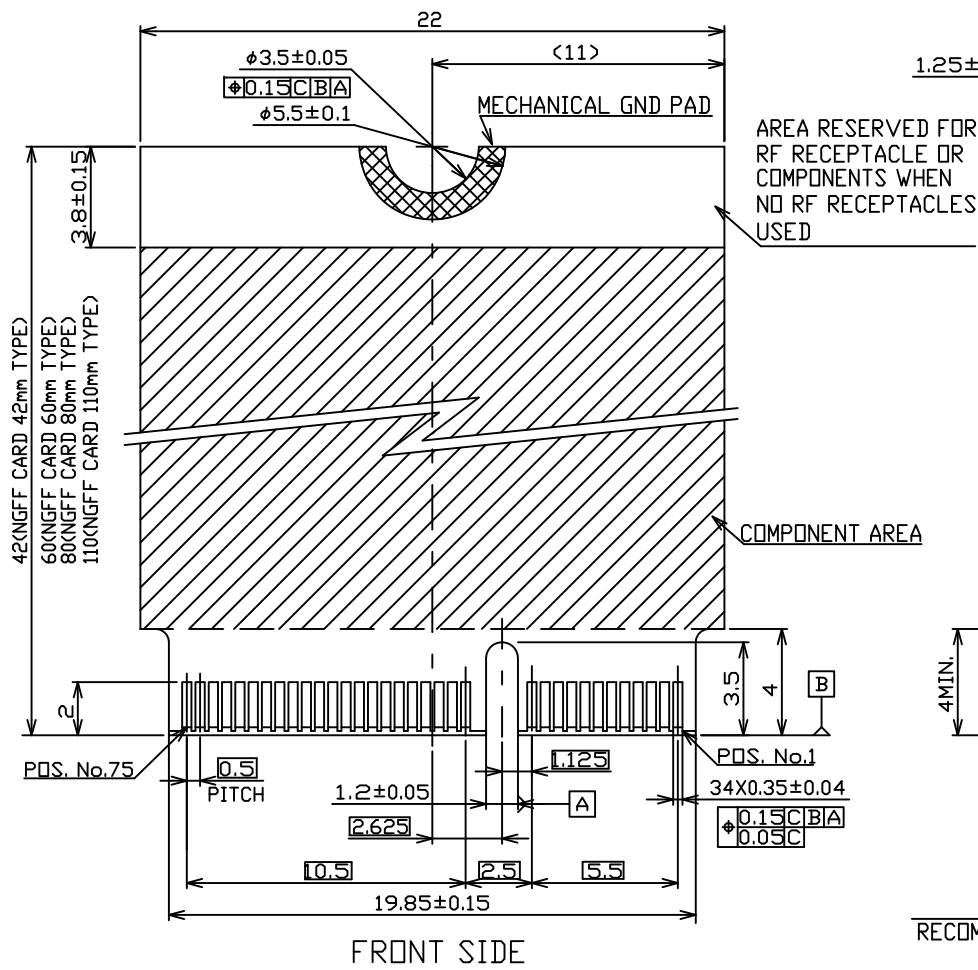


REV.	DESCRIPTION	DATE	REV.	DESCRIPTION	DATE	SIZE	REV.	FILE NAME
1			1			A4	1.0	123A-32EA0-R01_B_1
2			2					
3			3					
4			4					
5			5					
6			6					
7			7					
8			8					
9			9					
10			10					

UNLESS OTHERWISE SPECIFIED TOLERANCE			www.attend.com.tw	
ANGLES	ANG.	±5°	DRAWN NAME: M.2 Connector Key E H:3.2mm	
	0.	±0.3		
LINEAR	0.0	±0.25	PRODUCT NO. 123A-32EA0-R01	
	0.00	±0.20		
SCALE	AS SHOWN	UNIT: mm	DRAWN NAME: M.2 Connector Key E H:3.2mm	
DRAWN	Willis	2013/12/09		
CHECKED	Angel	2013/12/09		
APPROVED	Ken	2013/12/09	PRODUCT NO.	123A-32EA0-R01
			FILE NAME	123A-32EA0-R01_B_1

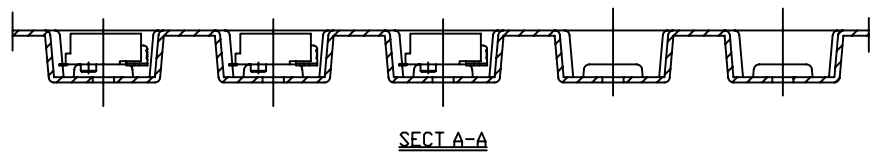
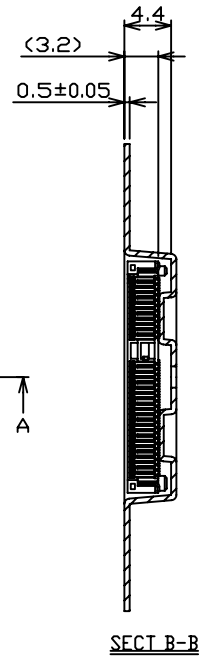
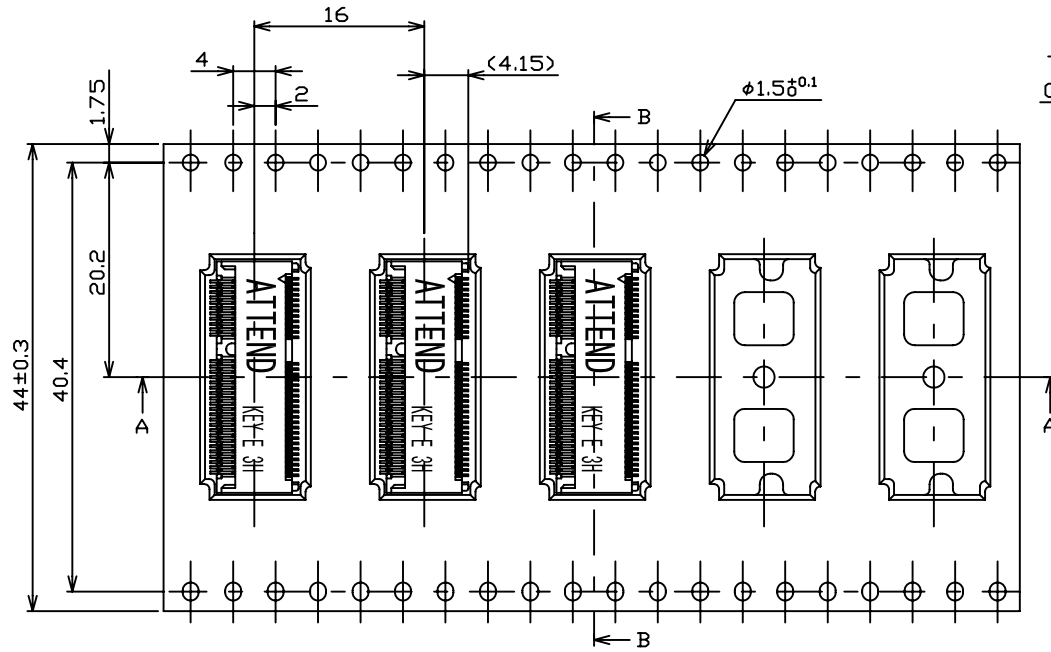
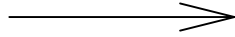


REV.	DESCRIPTION	DATE	REV.	DESCRIPTION	DATE	SIZE	REV.	FILE NAME
1						A4	1.0	123A-32EA0-R01_B_1

UNLESS OTHERWISE SPECIFIED TOLERANCE			
ANGLES	ANG.	±5°	
LINEAR	0.	±0.3	
	0.0	±0.25	
	0.00	±0.20	
SCALE	AS SHOWN	UNIT: mm	
DRAWN	Willis	2013/12/09	DRAWN NAME: M.2 Connector Key E H:3.2mm
CHECKED	Angel	2013/12/09	
APPROVED	Ken	2013/12/09	
PRODUCT NO.		123A-32EA0-R01	www.attend.com.tw
FILE NAME		123A-32EA0-R01_B_1	

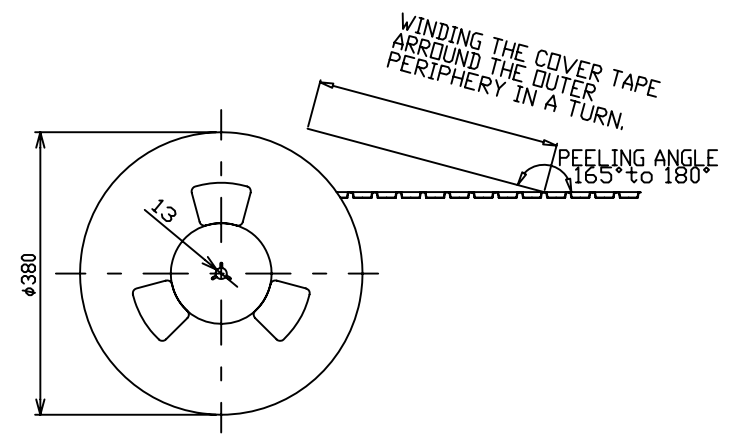


DIRECTION OFF TOP OF REEL



NOTES:

1. THE DIRECTION OF EACH CONNECTOR ON A EMOSS IS REFERED TO THIS DRAWING.
2. GENERAL TOLERANCE : ± 0.5 , $\pm 3^\circ$
3. PACKAGED IN EMOSS TAPE AND PLASTIC REEL 1200 PCS PRE REEL.



REV.	DESCRIPTION	DATE	REV.	DESCRIPTION	DATE
1			2		
2			3		
3			4		
4			5		
5			6		
6			7		

UNLESS OTHERWISE SPECIFIED TOLERANCE		
ANGLES	ANG.	$\pm 5^\circ$
LINEAR	0.	± 0.3
	0.0	± 0.25
	0.00	± 0.20
SCALE	AS SHOWN	UNIT: mm
DRAWN	Willis	2013/12/09
CHECKED	Angel	2013/12/09
APPROVED	Ken	2013/12/09
SIZE	A4	REV. 1.0



www.attend.com.tw	
DRAWN NAME: M.2 Connector Key E H:3.2mm	
PRODUCT NO.	123A-32EA0-R01
FILE NAME	123A-32EA0-R01_D_1

3
2
1

A