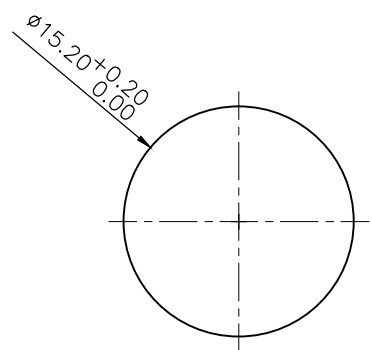
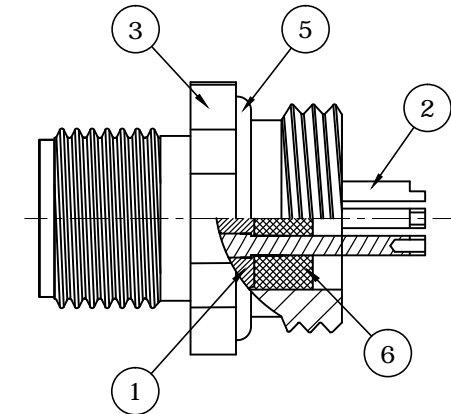
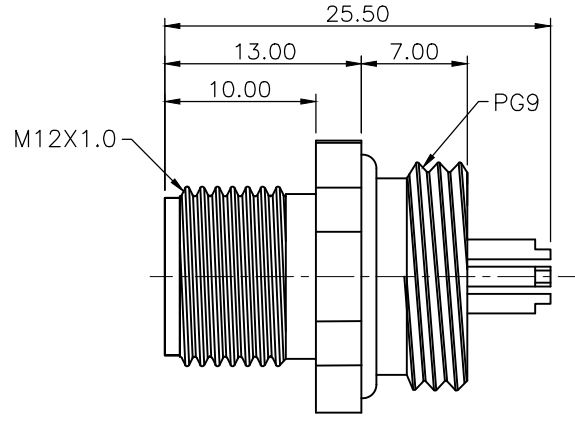
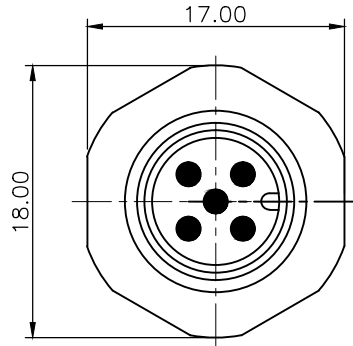


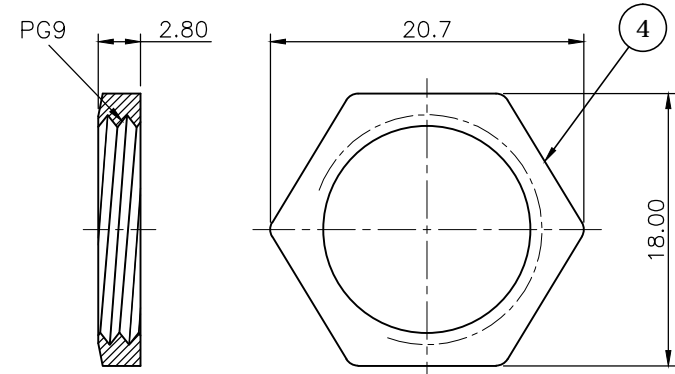
REV.	DESCRIPTION	DRAWN	DATE
1	INITIAL RELEASE	TIM	2018/04/13
2	ECR220421001	TIM	2022/04/21

SPECIFICATION:

- 1. ELECTRICAL
- 1.1 Current Rating: 4A
- 1.2 Voltage Rating: 60V
- 1.3 Water Proof: IPX7
- 1.4 Operating Temperature: -40°C~+85°C



PANEL CUT-OUT



NUT

6	EPOXY BASE	EF400A&EF400B, Black
5	O-RING	NBR, Black
4	NUT	Brass
3	SHELL	Brass, Nickel plating
2	CONTACT	Brass, 10u" Gold plating over Nickel
1	HOUSING	PBT, UL94V-0, Black

NO.	PART NAME	DESCRIPTION					
UNLESS OTHERWISE SPECIFIED TOLERANCE							
UNIT:	DECIMAL	LINEAR	ANGLES				
mm	X.	±0.50	±5°				
	X.X	±0.25	±3°				
	X.XX	±0.12	±1°				
WWW.ATTEND.COM.TW							
DRAWN	Tim	2018/04/13	DRAWN NAME:				
CHECKED	Fros	2018/04/13	M12 A-Code Receptacle, 5Pin Male Solder Type Rear Fastened				
APPROVED	Ken	2018/04/13	PRODUCT NO. 216A-05MAR				
SCALE	2/1	SHEET	1/1	SIZE	A4	FILE NAME	216A-05MAR_B_2

