

Specification

- 1.Current Rating: 1A
- 2.Voltage Rating: 125V AC
- 3.Contact Resistance: 20mΩ Max.(Initial) 40mΩ Max.(Final)
- 4.Insulation Resistance: 100MΩ Min At 500V
- 5.Dielectric Withstanding Voltage: AC 250V/Minute
- 6.Operating Temperature: -25°C~+85°C

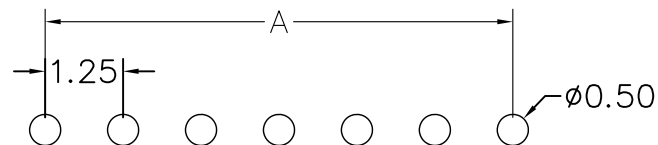
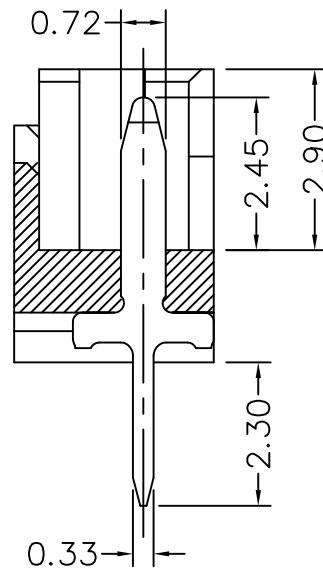
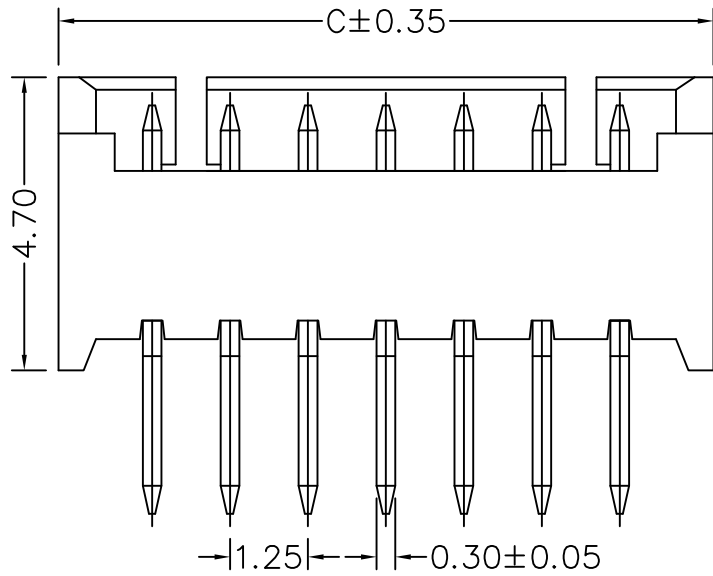
Material:

- 1.Housing: HTN UL94V-0
- 2.Contact Pin: Copper Alloy T=0.30mm

712-H7 1-xx 5 W 01
 1 2 3 4 5

1. H7: Halogen free Green Product
2. No. of contacts per row
3. G: Gold flash
- 5: Matte Tin plated
4. W: Nature insulator
5. Pinrex internal code.

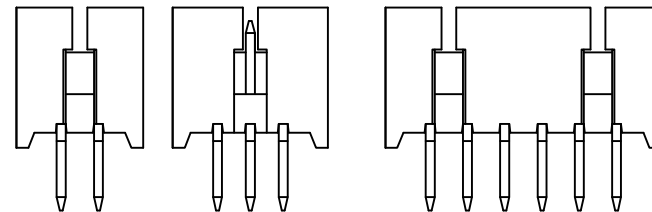
△D 包装方式: 盒装



Recommended P.C.B Layout

2P&3P

4P&15P



Poles	DIM A	DIM B	DIM C
2	1.25	3.05	4.25
3	2.50	4.30	5.50
4	3.75	5.55	6.75
5	5.00	6.80	8.00
6	6.25	8.05	9.25
7	7.50	9.30	10.50
8	8.75	10.55	11.75
9	10.00	11.80	13.00
10	11.25	13.05	14.25
11	12.50	14.30	15.50
12	13.75	15.55	16.75
13	15.00	16.80	18.00
14	16.25	18.05	19.25
15	17.50	19.30	20.50

REV.	DESCRIPTION	DATE
D	修正包装方式	2022/09/23
C	更新包装方式	2020/09/29
B	修正DIP尺寸	2015/12/09
A	RELEASE	2014/12/24

TOLERANCE	
.0	=±.50
.00	=±.30
.000	=±.XXX
.0000=±.	
ANG.	=±3°

UNITS : mm	
SCALE	SIZE
NONE	A4

OLD PART NO.		DRAWER		CHECK	
SHEET		REV.		APP'D	
1 OF 1	D	李孟瑶		李剑	

TITLE		NEW PART NO.	
1.25mm HEADER DIP TYPE		712-H71-xx5W01	

DRAW NO.	
712-H71-xx5W01(D版)	

