

**JBC C245256****Bevel Cartridge Ø 3.5 HT L**

These cartridges are 20mm longer than normal cartridges for easier access to difficult-to-reach joints.

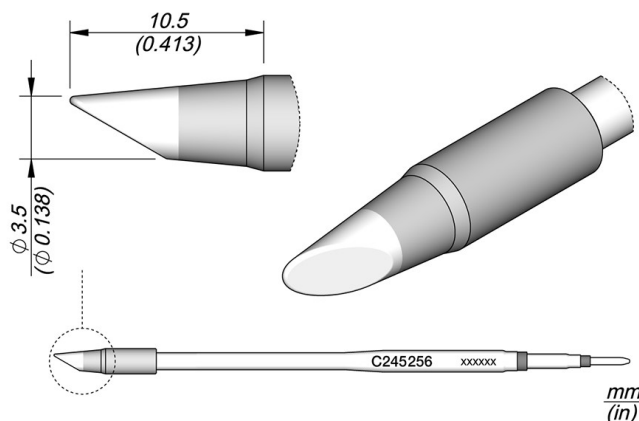
C245 cartridge range is the widest one of JBC with many shapes, sizes and special models.

They are appropriate for general soldering purposes and they are perfect for both SMD components or for applications with high power requirements such as ground plane soldering.

They work with T245 Handles.

JBC Long Life Tips offer instant heat up, excellent heat transfer and great durability.

They last 5 times longer than other brands thanks to the JBC Most Efficient Soldering System and the Sleep & Hibernation features.

**REFERENCE****C245256****SPECIFICATIONS****Net weight** 0,008 kg (0.02lb)**WEIGHT AND DIMENSIONS**

8 gr (0.02 lb)

12 gr (0.03 lb)

110 x 12 x 12 mm

Copyright © 2024 JBC Soldering S.L. | [Legal Notice](#) | [Privacy Policy](#) | [Terms and Conditions](#) | [Cookie policy](#) | [Internal Communication](#) | [RSS Feed](#) | [JBC Store](#) | [Contact Us](#)

**CONNECTABLES****Compatible tools****T245-A****General Purpose Handle****T245-PA****Blue Grip General Purpose Handle**

This website uses own and third-party technical, analysis and advertising cookies to anonymously facilitate browsing, customise the advertising and analyse website use statistics. We deem that by continuing to browse you accept their use.

[Learn more](#)

[Manage Preferences](#)

[Reject All](#)

[Accept All](#)