

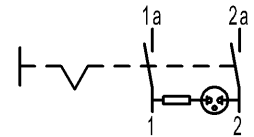
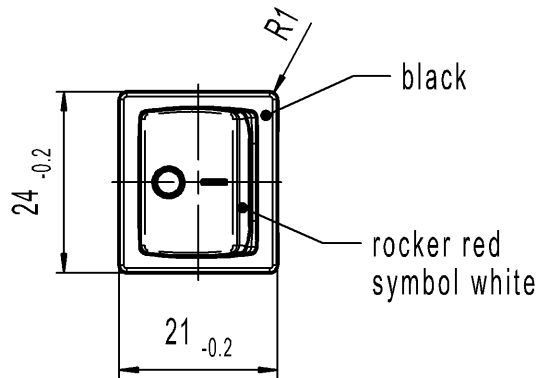
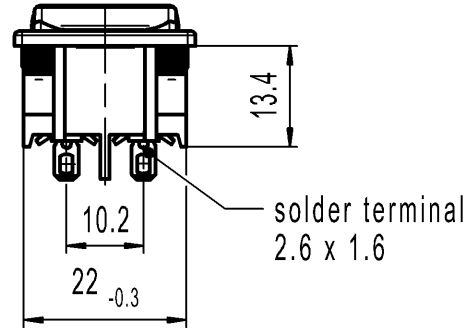
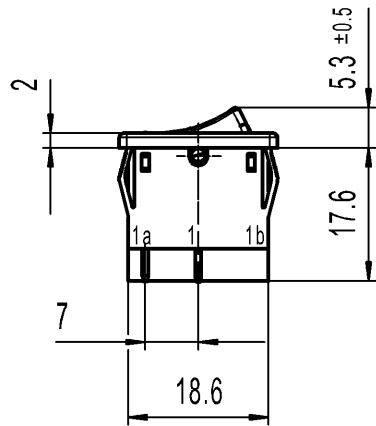
CONFIDENTIAL

VERTRAULICH

Alle Rechte bei Marquardt, auch fuer den Fall von Schutzrechtsanmeldungen. Jede Veruegungsbefugnis, wie Kopier- und Weitergaberecht, bei uns.

THIS DRAWING IS THE EXCLUSIVE PROPERTY OF MARQUARDT. WITHOUT THEIR CONSENT IT MAY NOT BE REPRODUCED OR GIVEN TO THIRD PARTIES.

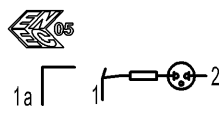
A	recommended cut-out for snap-in fixing (edge opposite to snap-in direction)	1	2	3	4
			wall thickness	length of cut-out	width of cut-out
			0.75 to 1.25	19.2 -0.1	21.9+0.1
			1.25 to 2	19.4 -0.1	21.9+0.1
		2 to 3	19.8 -0.1	21.9+0.1	



Marking

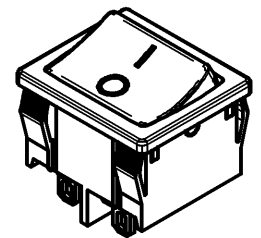
1805.
 6(4)/250~5E4 T100/55
 10(4)/250~
 5/50A 250V~

DPST
 Neon lamp with Rv for 230V AC
 Suitable for appliances of class II



6A 250V AC
 1/2HP
 R 87

Code of manufacture: place/year/week



-	-	-	1805.6102-XX
Figure	Type	Customer Part No.	Art.No.-PI
Shape and location	Angle ± 2 °	Sheet 01	Ident. K
	Edge tolerance	Format DIN A4	Document number 18056102
	0-6 ± 0.2	Projection	Index b
	>6-15 ± 0.4	Scale 1:1	Appliance Switch
>15-30 ± 0.4	All dimensions are in millimetres		
b	137893	System NX V1872	
a	46930	Replacement of	
	2021-06-07	Zg.gl.Nr.v.25.03.1997	
Index	MEC-No.	Date (YYYY-MM-DD)	
		Edited by	