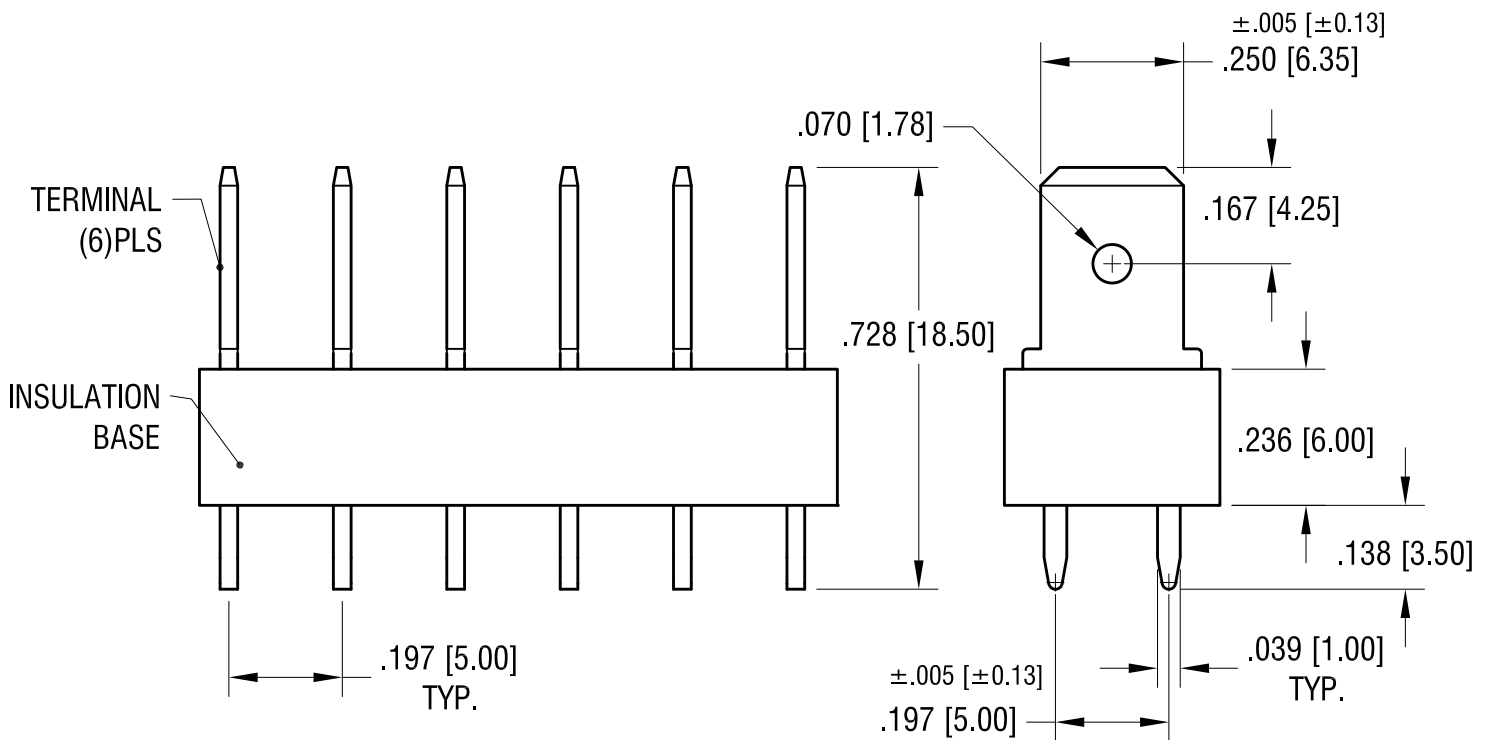
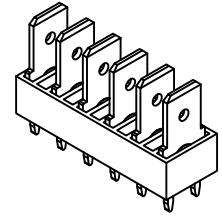
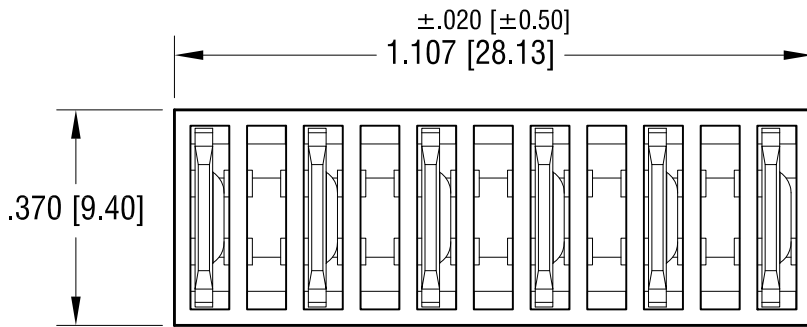


THIS DOCUMENT IS THE PROPERTY OF
KEYSTONE ELECTRONICS CORP. AND
SHALL NOT BE REPRODUCED, DISTRIBUTED
OR USED AS A BASIS FOR MANUFACTURE
WITHOUT PRIOR WRITTEN PERMISSION
FROM KEYSTONE ELECTRONICS CORP.

ACTUAL SIZE



NOTE:
 TERMINAL: MAT'L- .031 [0.78] TH'K BRASS
 FINISH: TIN PLATE
 INSULATION: MAT'L- GLASS FILLED NYLON, 94V-0

KEYSTONE ELECTRONICS CORP.

www.keyelco.com • ASTORIA, N.Y. 11105-2017 • Tel (718) 956-8900

PART NAME			
INSULATED QUICK-FIT TERMINAL (6) SIX			
MATERIAL			
AS NOTED			
FINISH		DRN BY	DATE
AS NOTED		NT	2.14.13
		APP'D	SCALE
		LN	3X
TOLERANCES	INCH [MM]	CODE	DWG NO.
DECIMAL	± .010 [± 0.25]	C	7821
ANGULAR	± 1°		
UNLESS OTHERWISE SPECIFIED			

10.7.13	CHANGE AS PER ECN 13-083	A
DATE	DESCRIPTION	REV.