


# 2J6504B 2J6504M (DATASHEET)

<b>Type</b>	GSM antenna
<b>Frequencies</b>	AMPS (824-894 MHz) GSM (900 MHz) DCS (1800 MHz) PCS (1900 MHz) 3G (UMTS 2.1 GHz)
<b>Mounting</b>	2J6504B - Body Mount 2J6504M – Magnetic version
<b>Revision</b>	00



  
P. Tipul

  
D. Noble

# 1. SPECIFICATION

## 1.1. Electrical Specifications

### Mobile (Cable 1)

Frequencies	AMPS (824-894 MHz) GSM (900 MHz) DCS (1800 MHz) PCS (1900 MHz) 3G (UMTS 2.1 GHz)
Impedance	50 Ohms
Polarization	Horizontal
Gain	6dBi Max.
VSWR	<4:1
Power handling	50W

### Environmental

Operating temperature	40°C to +85°C
Certificates	IP67, IK09

## 1.2. Connection Specifications

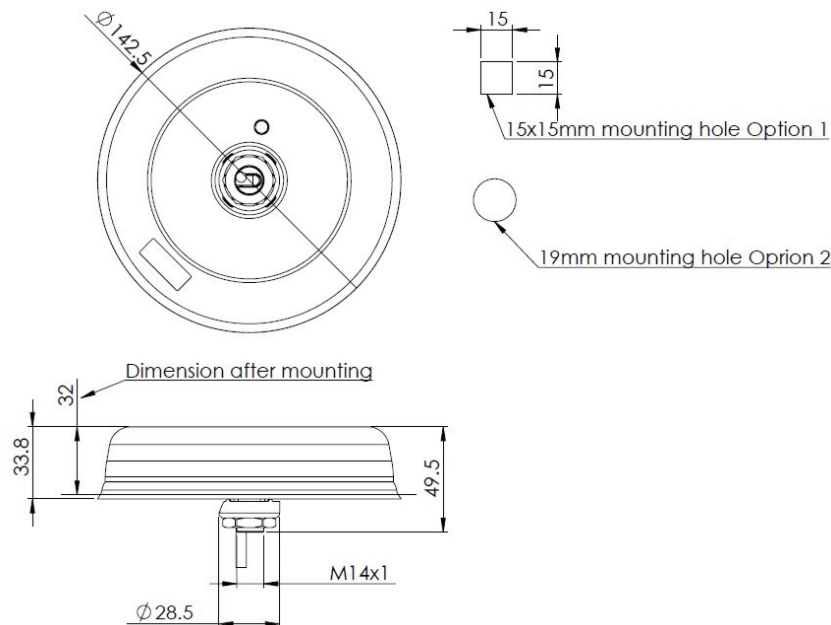
Connector type: SMA male  
Cable: RG58U  
Cable length: 250 cm

For different cable length and connector type ask our sales team.

## 1.3. Mechanical Specifications and Dimensions

### 1.3.1. 2J6504B

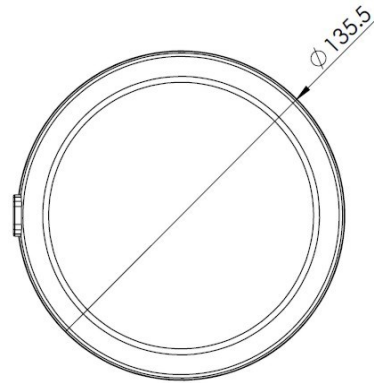
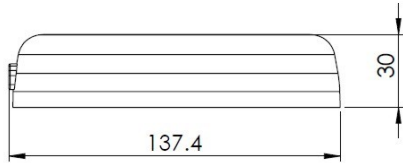
Material: Lid: ABS / Base: Zamak / Gasket: TPE  
Max. dimensions: 146mm x 32mm (when placed on ground-plane)  
Colour: Black (for different colours please ask our sales team)



### 1.1.1. 2J6504M

Material:  
Max. dimensions:  
Colour:

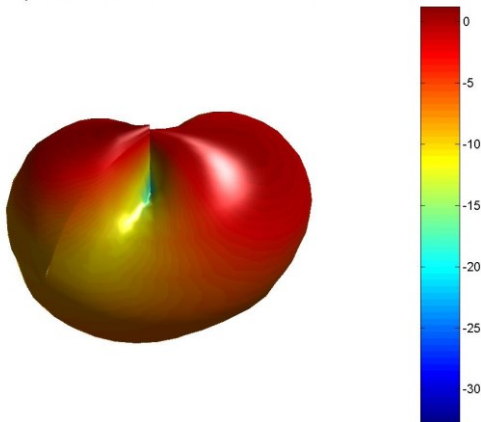
Lid: ABS / Base: Zamak  
135.5mm x 30mm (when placed on ground-plane)  
Black (for different colours please ask our sales team)



## 2. MEASUREMENT

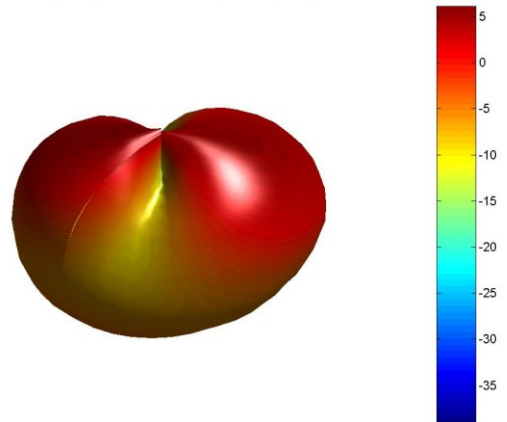
850MHz

Freq = 0.8500GHz Az= 45 EL= 45



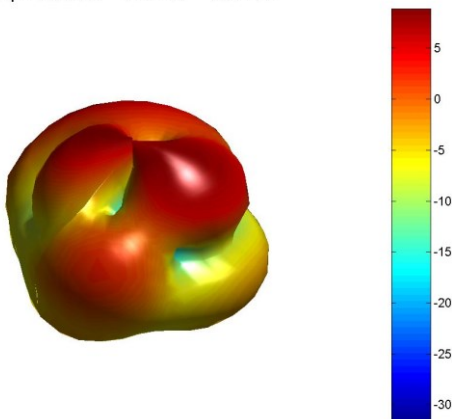
900MHz

Freq = 0.9GHz Az= 45 EL= 45



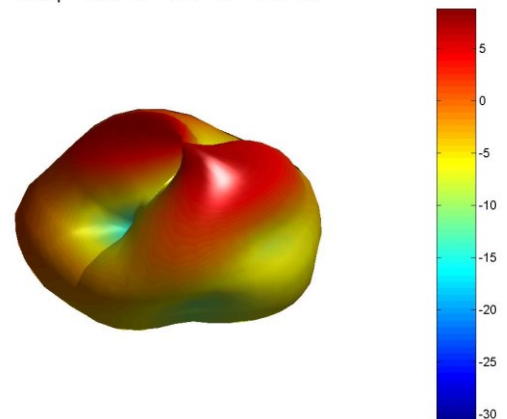
1800MHz

Freq = 1.8GHz Az= 45 EL= 45



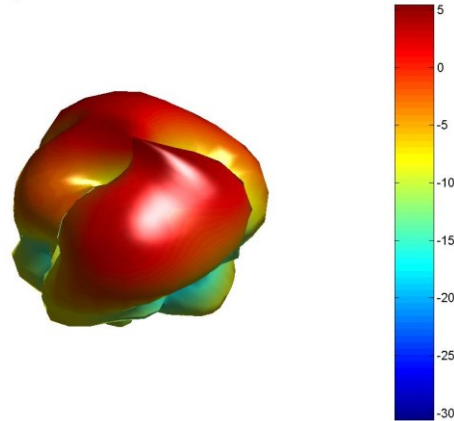
1900MHz

Freq = 1.9GHz Az= 45 EL= 45

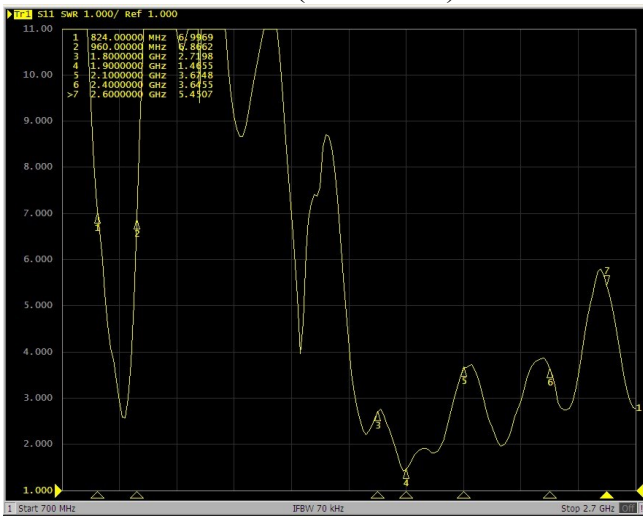


2100MHz

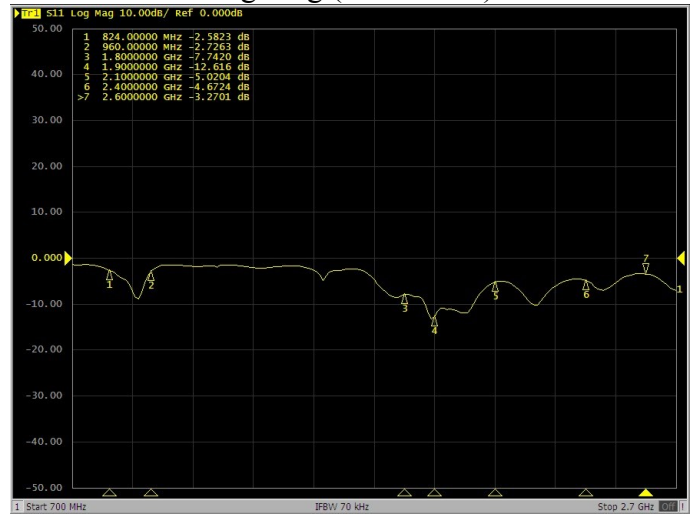
Freq = 2.1GHz Az= 45 EL= 45



VSWR (Penta band)



Log Mag (Penta band)





### 3. IMAGES

