

929505-7 ✓ ACTIVE

AMP | Junior Power Timer

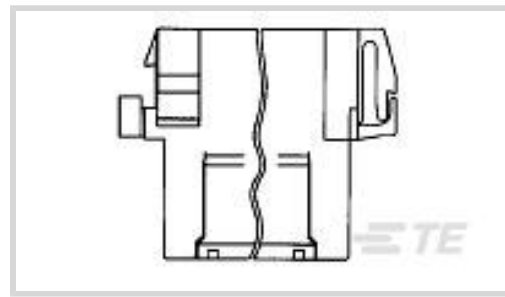
TE Internal #: 929505-7

Housing for Male Terminals, Wire-to-Wire, 22 Position, .196 in [5 mm] Centerline, Black, Wire & Cable, Power, Junior Power Timer

[View on TE.com >](#)



Connectors > Automotive Connectors > Automotive Housings > Timer Connector Housing



Connector System: **Wire-to-Wire**

Number of Positions: **22**

Connector & Housing Type: **Housing for Male Terminals**

Centerline (Pitch): **5 mm [ .196 in ]**

Sealable: **No**

[All Timer Connector Housing \(586\)](#)

## Features

### Product Type Features

Mixed & Hybrid Connector	No
Connector Shape	Rectangular
Connector System	Wire-to-Wire
Connector & Housing Type	Housing for Male Terminals
Sealable	No
Connector & Contact Terminates To	Wire & Cable
Primary Locking Feature	Integrated in Housing

### Configuration Features

Number of Positions	22
Number of Rows	2

### Electrical Characteristics

Nominal Voltage Architecture	24 V
------------------------------	------

### Body Features

Cable Exit Angle	180°
Primary Product Color	Black

### Contact Features

Contact Size	2.8mm
--------------	-------



Contact Type	Tab
Mating Tab Width	2.8 mm[.11 in]
Contact Current Rating (Max)	30 A

#### Mechanical Attachment

Terminal Position Assurance	No
Strain Relief	Without
Mating Alignment Type	Polarized
Mating Alignment	With
Connector Mounting Type	Cable Mount (Free-Hanging)

#### Housing Features

Housing Material	PBT
Centerline (Pitch)	5 mm[.196 in]

#### Dimensions

Connector Height	26 mm[1.02 in]
Product Width	22.4 mm[.881 in]
Product Length	63.8 mm[2.51 in]
Row-to-Row Spacing	5.6 mm[.22 in]

#### Usage Conditions

Operating Temperature (Max)	130 °C[266 °F]
Operating Temperature Range	-40 – 130 °C[-40 – 266 °F]

#### Operation/Application

Circuit Application	Power
---------------------	-------

#### Packaging Features

Packaging Quantity	400
Packaging Method	Bag

#### Other

Serviceable	No
Connector Position Assurance Capable	No

#### Product Compliance

[For compliance documentation, visit the product page on TE.com>](#)

EU RoHS Directive 2011/65/EU	Compliant
------------------------------	-----------



EU ELV Directive 2000/53/EC	Compliant
China RoHS 2 Directive MIIT Order No 32, 2016	No Restricted Materials Above Threshold
EU REACH Regulation (EC) No. 1907/2006	Current ECHA Candidate List: JUNE 2023 (235) Candidate List Declared Against: JUNE 2023 (235) Does not contain REACH SVHC
Halogen Content	Not Low Halogen - contains Br or Cl > 900 ppm.
Solder Process Capability	Not applicable for solder process capability

Product Compliance Disclaimer

This information is provided based on reasonable inquiry of our suppliers and represents our current actual knowledge based on the information they provided. This information is subject to change. The part numbers that TE has identified as EU RoHS compliant have a maximum concentration of 0.1% by weight in homogenous materials for lead, hexavalent chromium, mercury, PBB, PBDE, DBP, BBP, DEHP, DIBP, and 0.01% for cadmium, or qualify for an exemption to these limits as defined in the Annexes of Directive 2011/65/EU (RoHS2). Finished electrical and electronic equipment products will be CE marked as required by Directive 2011/65/EU. Components may not be CE marked. Additionally, the part numbers that TE has identified as EU ELV compliant have a maximum concentration of 0.1% by weight in homogenous materials for lead, hexavalent chromium, and mercury, and 0.01% for cadmium, or qualify for an exemption to these limits as defined in the Annexes of Directive 2000/53/EC (ELV). Regarding the REACH Regulation, the information TE provides on SVHC in articles for this part number is based on the latest European Chemicals Agency (ECHA) 'Guidance on requirements for substances in articles' posted at this URL: <https://echa.europa.eu/guidance-documents/guidance-on-reach>

## Compatible Parts



TE Part # CAT-T4827-CH8172  
Timer Connector Housing

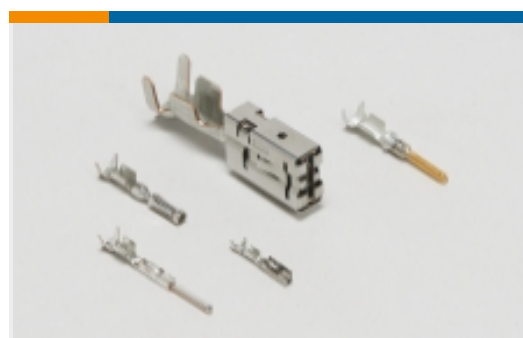
## Also in the Series | Junior Power Timer



Automotive Connector Caps & Covers (5)



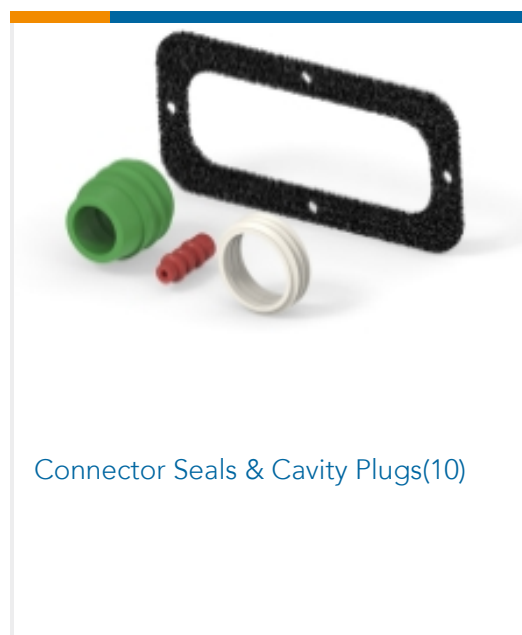
Automotive Housings(252)



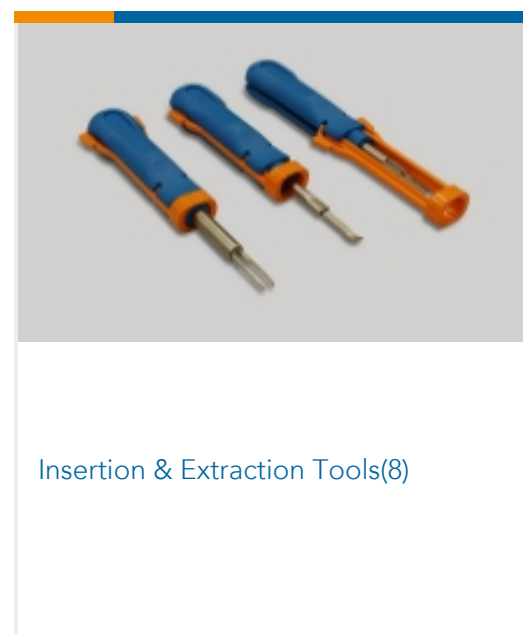
Automotive Terminals(86)



Busbars & Terminals(1)



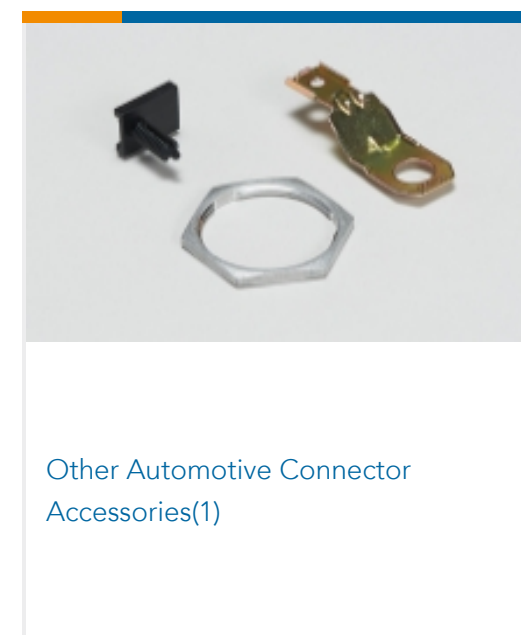
Connector Seals &amp; Cavity Plugs(10)



Insertion &amp; Extraction Tools(8)



Module Components(6)

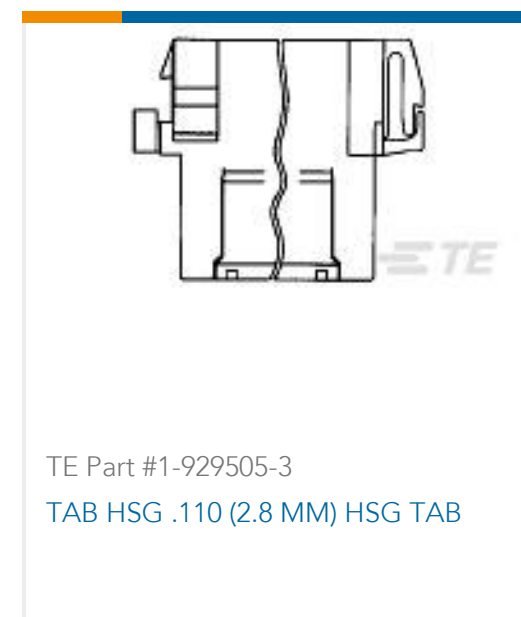


Other Automotive Connector Accessories(1)



PCB Headers &amp; Receptacles(1)

## Customers Also Bought

TE Part #929504-4  
Timer Connector HousingTE Part #928931-2  
FF 110 (2.8 X 0.8 MM) TAB PTP  
CUZN30TE Part #926980-1  
CI 2 STIFTTE Part #1-929505-3  
TAB HSG .110 (2.8 MM) HSG TAB

## Documents

### Product Drawings

[FF FA-STE-GEH2X11P](#)

German

### CAD Files

Customer View Model

[ENG\\_CVM\\_929505-7\\_F4.3d\\_stp.zip](#)

English

Customer View Model

[ENG\\_CVM\\_929505-7\\_F4.2d\\_dxf.zip](#)

English

**3D PDF**

English

Customer View Model

[ENG\\_CVM\\_929505-7\\_F4.3d\\_igs.zip](#)

English

By downloading the CAD file I accept and agree to the [Terms and Conditions](#) of use.



---

[Datasheets & Catalog Pages](#)

[Timer Interconnection System](#)

English