



NEW AGE ENCLOSURES

4330 Santa Fe Road
San Luis Obispo, CA 93401
T 805.595.1310
F 805.595.1024
www.NewAgeEnclosures.com



Fast and Affordable Customization.

Ordering a market-ready enclosure[®] is made fast and affordable with our complete in-house capabilities. New Age provides machined openings to fit your PCB, pad printing for your company graphics, complete custom enclosures, custom colors, cable assemblies, wire harnesses, final assembly, testing and fulfillment services to save you additional time and money. Ask your representative for a free quote today 805-595-1310.

Sample CNC modifications, pad printing, colored resins, cable assembly, custom enclosure, and assembled remote control with key pad are shown below.



CNC Machining



Pad Printing



Custom Colors



Cables & Wire Harnesses



Custom Enclosures

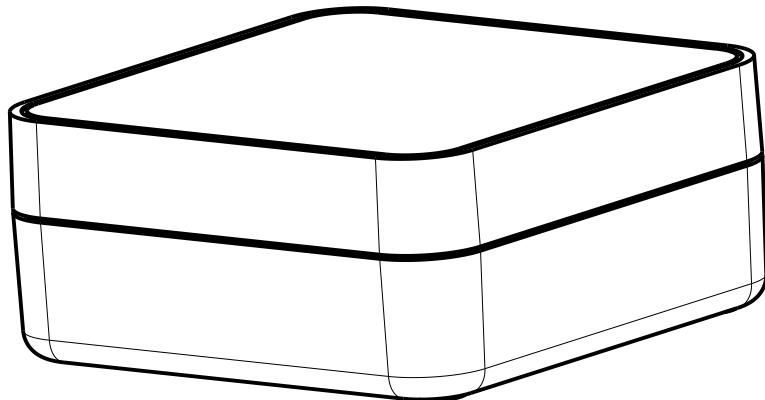


Assembly & Testing

“Market-Ready Enclosures[®] For Today’s Electronics.”

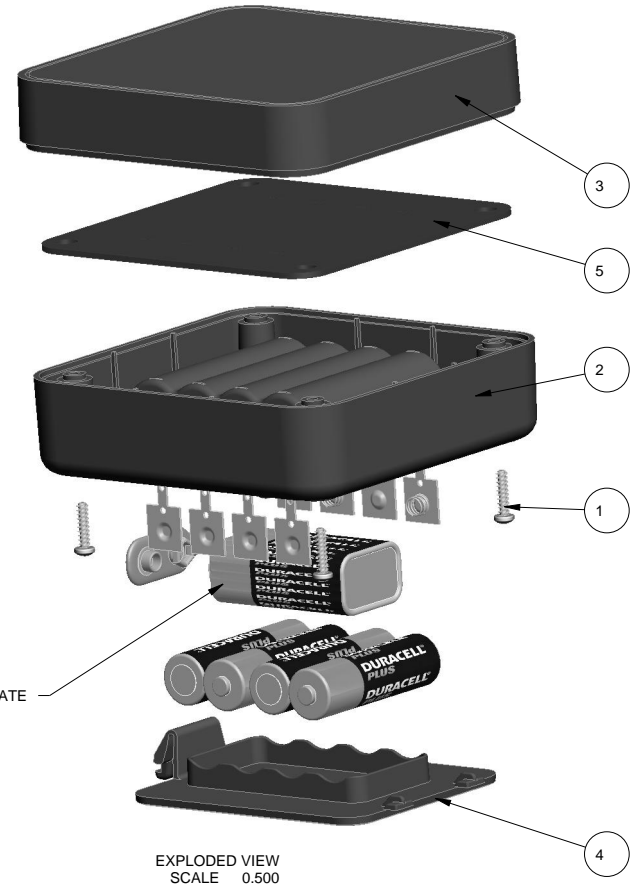
NOTES: UNLESS OTHERWISE SPECIFIED

1. CORNERS DRAWN SHARP TO BE R.005 MAXIMUM.
2. EXTERIOR SURFACE TEXTURE TO BE EQUIVELANT TO MT-11020.
3. INTERIOR SURFACE TEXTURE TO BE: LIGHT TEXTURE.
4. ALL INSIDE RADII .010R. ALL OUTSIDE RADII .020R MAX, UNLESS OTHERWISE SPECIFIED.
5. ALL EXTERNAL DIMENSIONS AFFECTED BY THE DRAFT APPLY AT THE LARGE END OF THE FEATURE, AND ALL INTERNAL FEATURES AFFECTED BY THE DRAFT APPLY AT THE SMALL END OF THE FEATURE UNLESS OTHERWISE SPECIFIED.
6. 1 DEGREE DRAFT IN THE DIRECTION OF PULL IS PERMISSIBLE UNLESS OTHERWISE SPECIFIED.
7. ASSEMBLY SCREWS FOR THE ENCLOSURE INCLUDED.
8. MATERIAL / COLOR: ABS PLASTIC IS STANDARD IN BLACK OR WHITE. CUSTOM MATERIALS AND COLORS ARE AVAILABLE UPON REQUEST FOR QUOTE.
9. PCB SIZES ARE RECOMMENDATIONS ONLY. FINAL SIZES AND VERIFICATION OF IT'S FIT ARE THE SOLE RESPONSIBILITY OF OEM.
10. STANDARD OR CUSTOM LABEL RECESSES ARE AVAILABLE UPON REQUEST FOR QUOTE.



SCALE 0.750

R E V I S I O N					
REV.	DRAWN BY	ECO No	DESCRIPTION	DATE	APPROVED
A	M BOYER	DR XXX	PRELIMINARY RELEASE	24-Dec-10	D.C.
B	M BOYER		REVISE PER MEETING 01-Mar-11	02-Mar-11	D.C.
C	M BOYER		CHANGE TITLE FROM "4AA SQUARE"	03-Mar-11	



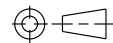
THIS ENCLOSURE CAN ACCOMODATE
4 "AA" BATTERIES IN
PARALLEL OR SERIES.
ALTERNATE BATTERY: 9 VOLT

EXPLODED VIEW
SCALE 0.500

10	SINGLE COIL SPRING BATTERY CONTACT	ACC-AANEG-5201	OPTIONAL	4
9	SINGLE BUTTON BATTERY CONTACT	ACC-AAPOS-5223	OPTIONAL	4
8	ACC-9VCLIP-233M 6" LEAD	9V CLIP 6" LEAD	OPTIONAL	1
7	AA BATTERY	CUSTOMER SUPPLIED	REFERENCE ONLY	4
6	9 VOLT BATTERY	CUSTOMER SUPPLIED	REFERENCE ONLY	1
5	404017 PCB - .062" THICK	CUSTOMER SUPPLIED	REFERENCE ONLY	1
4	404017 HATCH - STANDARD	ABS	BLACK or WHITE	1
3	404017 COVER - STANDARD	ABS	BLACK or WHITE	1
2	404017 BASE - STANDARD	ABS	BLACK or WHITE	1
1	#6 HiLo x .500" SCREW	ZINK PLATED	INCLUDED	4
ITEM	DESCRIPTION	MATERIAL	COLOR	QTY.

BILL OF MATERIALS

THIRD ANGLE PROJECTION



DO NOT SCALE DRAWING

TOLERANCES: UNLESS OTHERWISE SPECIFIED
DIMENSIONS ARE IN U.S. INCHES:
X.XX = .015 X.XXXX = .001
X.XXX = .010 X.X° = 1°

NEW AGE ENCLOSURES

Customer's Part No: 404017

APPROVAL BY DATE

CHECK

ENG.

SCALE

DRAWN BY M BOYER 24-Dec-10

NOTICE: THE INFORMATION AND DATA CONTAINED HEREIN IS CONSIDERED PROPRIETARY TO ALLTEC INTEGRATED MFG INC & SHALL REMAIN THE EXCLUSIVE PROPERTY OF ALLTEC INTEGRATED MFG INC THE HOLDER WILL ASSUME CUSTODY AND CONTROL THAT THIS DOCUMENT WILL NOT BE COPIED, REPRODUCED, OR DISCLOSED WITHOUT THE EXPRESS WRITTEN CONSENT OF ALLTEC INTEGRATED MFG INC POSSESSION OF THIS DOCUMENT DOES NOT CONSTITUTE A GRANT TO MANUFACTURE ANY ITEMS.
©2010

NEW AGE ENCLOSURES

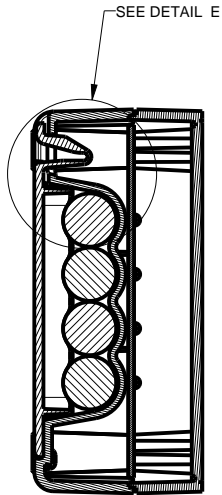
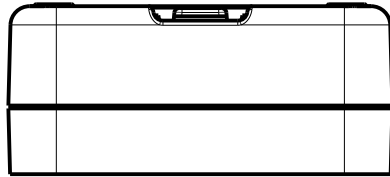
4330 Santa Fe Road San Luis Obispo, CA. 93401
ph. (805) 595-1310 fax (805) 595-1024

www.newageenclosures.com

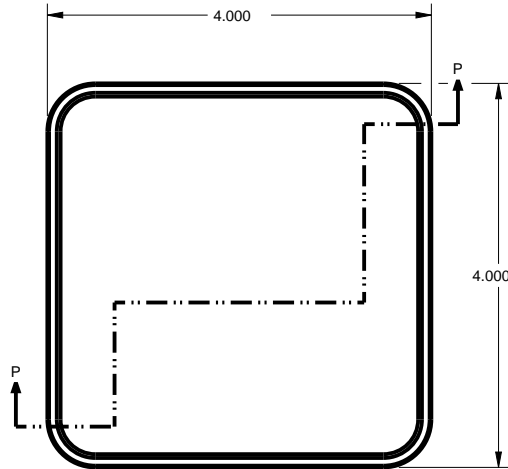
**STANDARD - 4AA PALM-HELD
SXX-404017-XXX**

SIZE A DRAWING NAME 404017_RC SHEET 1 OF 7 REV.DOC C

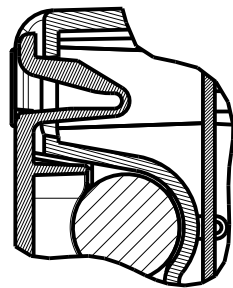
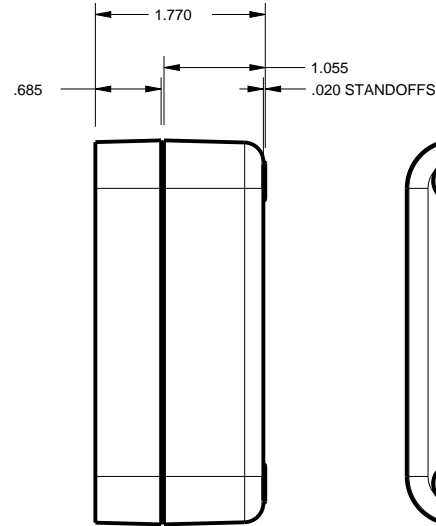
404017 ASSEMBLY



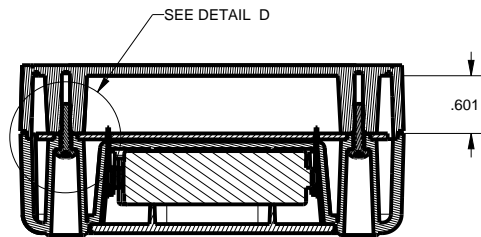
SECTION Y-Y



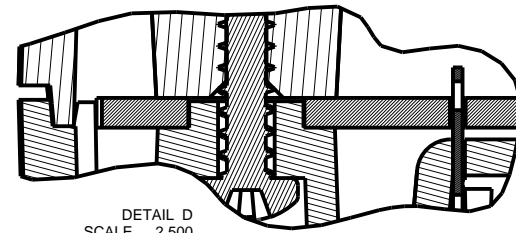
SCALE 0.500



DETAIL E
SCALE 1.000



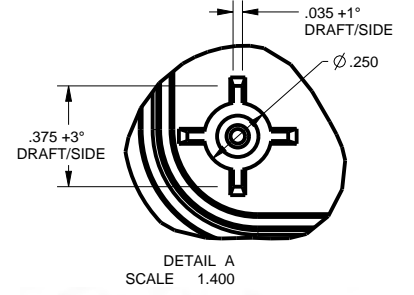
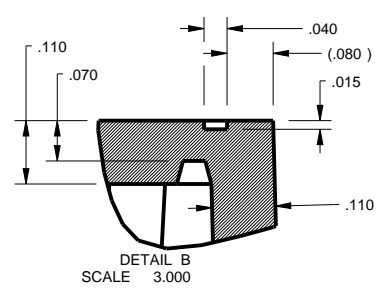
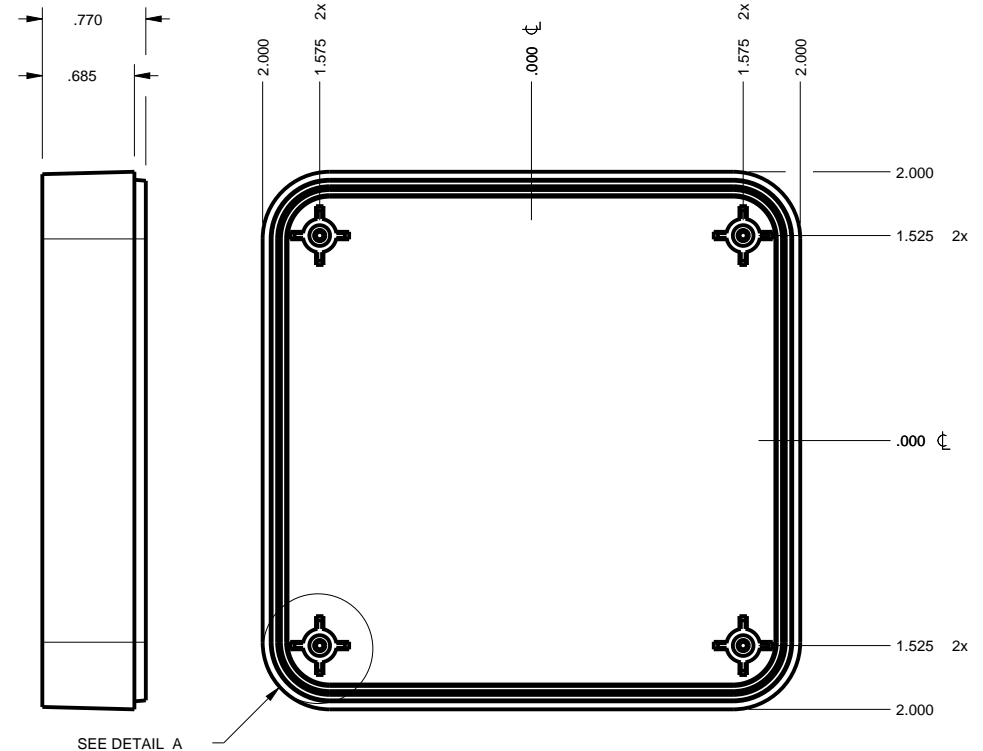
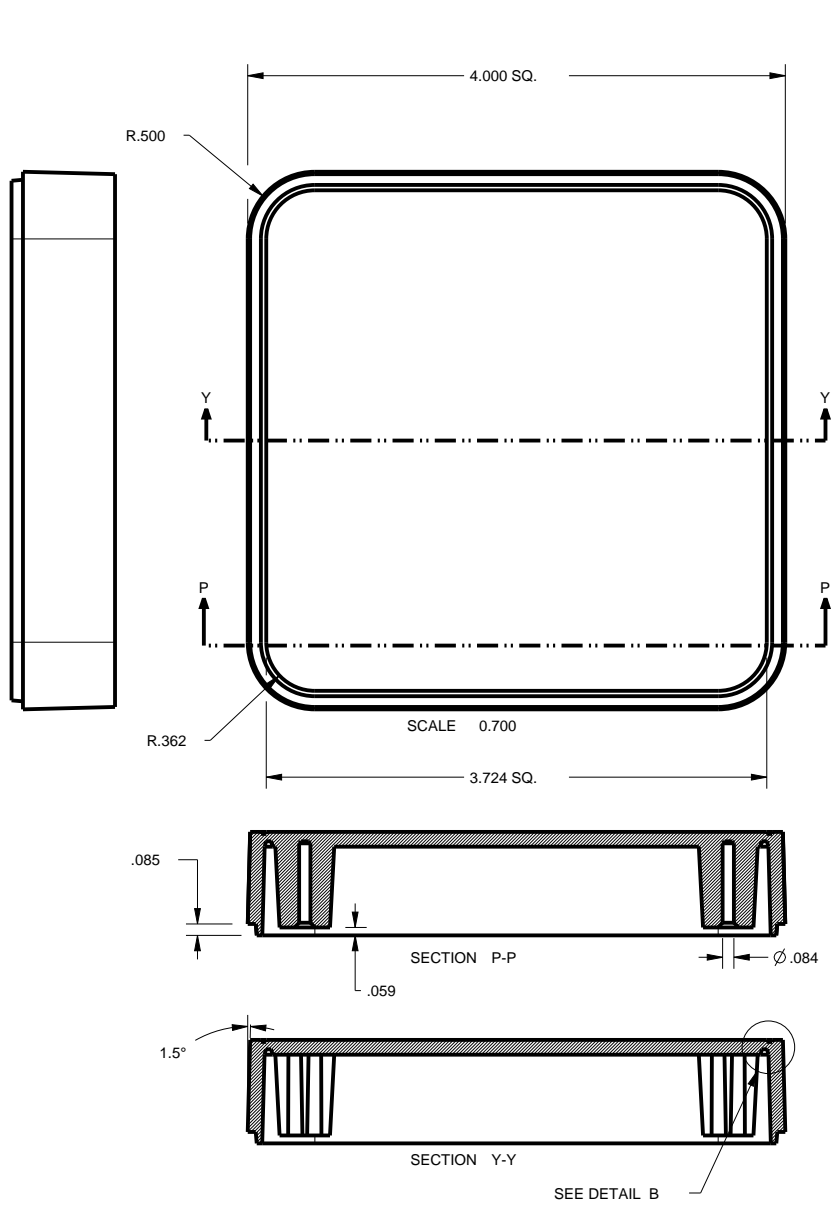
SECTION P-P



DETAIL D
SCALE 2.500

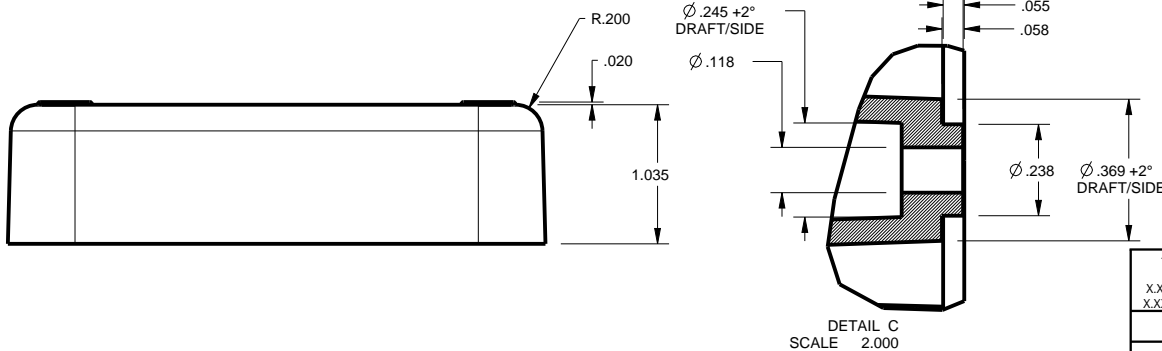
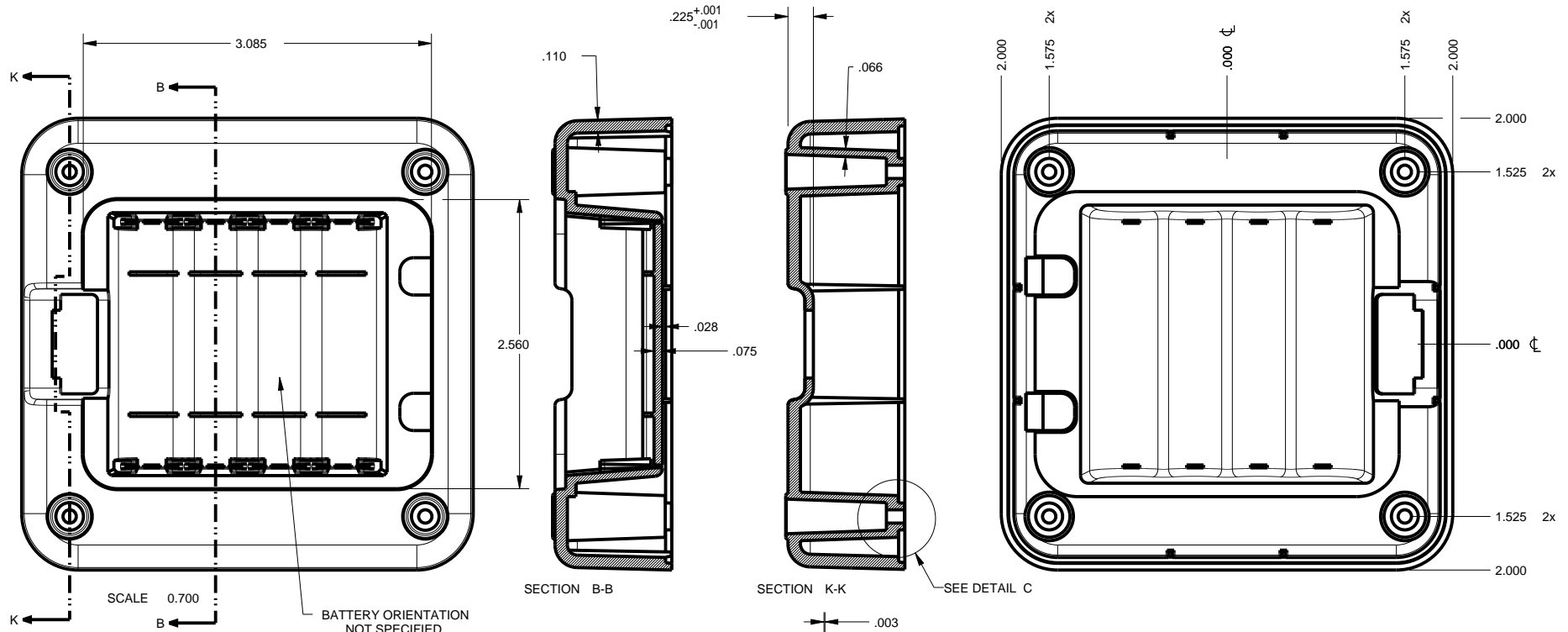
TOLERANCES: UNLESS OTHERWISE SPECIFIED DIMENSIONS ARE IN U.S. INCHES: X.XX = .015 X.XXXX = .001 X.XXX = .010 X.X° = 1°		NEW AGE ENCLOSURES 4330 Santa Fe Road San Luis Obispo, CA. 93401 ph. (805) 595-1310 fax (805) 595-1024 www.newageenclosures.com	
NEW AGE ENCLOSURES Customer's Part No: 404017			
APPROVAL	BY	DATE	STANDARD - 4AA PALM-HELD SXX-404017-XXX
CHECK			
ENG.			
SCALE			
DRAWN BY	M BOYER	Dec-24-10	SIZE A DRAWING NAME 404017_RC SHEET 2 OF 7 REV.DOC C

404017 COVER



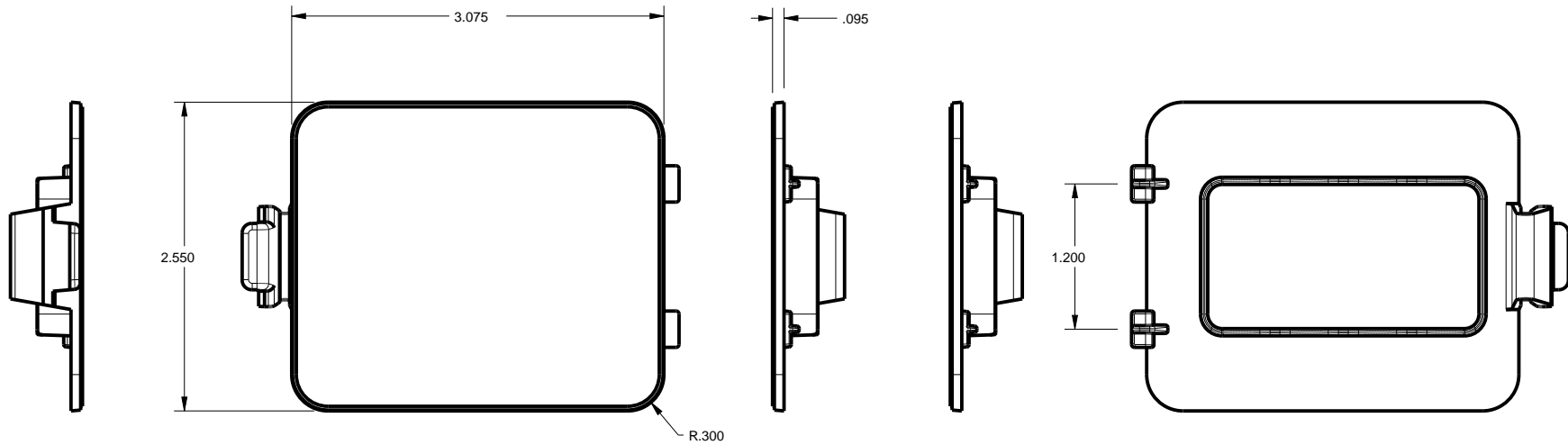
TOLERANCES: UNLESS OTHERWISE SPECIFIED DIMENSIONS ARE IN U.S. INCHES: X.XX = .015 X.XXXX = .001 X.XXX = .010 X.X° = 1°		NEW AGE ENCLOSURES 4330 Santa Fe Road San Luis Obispo, CA. 93401 ph. (805) 595-1310 fax (805) 595-1024 www.newageenclosures.com	
NEW AGE ENCLOSURES Customer's Part No: 404017			
APPROVAL	BY	DATE	STANDARD - 4AA PALM-HELD SXX-404017-XXX
CHECK			
ENG.			
SCALE			
DRAWN BY	M BOYER	Dec-24-10	SIZE A DRAWING NAME 404017_RC SHEET 3 OF 7 REV.DOC C

404017 BASE



TOLERANCES: UNLESS OTHERWISE SPECIFIED DIMENSIONS ARE IN U.S. INCHES: X.XX = .015 X.XXXX = .001 X.XXX = .010 X.X° = 1°		NEW AGE ENCLOSURES 4330 Santa Fe Road San Luis Obispo, CA. 93401 ph. (805) 595-1310 fax (805) 595-1024 www.newageenclosures.com	
Customer's Part No: 404017			
APPROVAL	BY	DATE	STANDARD - 4AA PALM-HELD SXX-404017-XXX
CHECK			
ENG.			
SCALE			
DRAWN BY	Dec-24-10		SIZE A DRAWING NAME 404017_RC SHEET 4 OF 7 REV.DOC C

404017 HATCH



SCALE 0.700



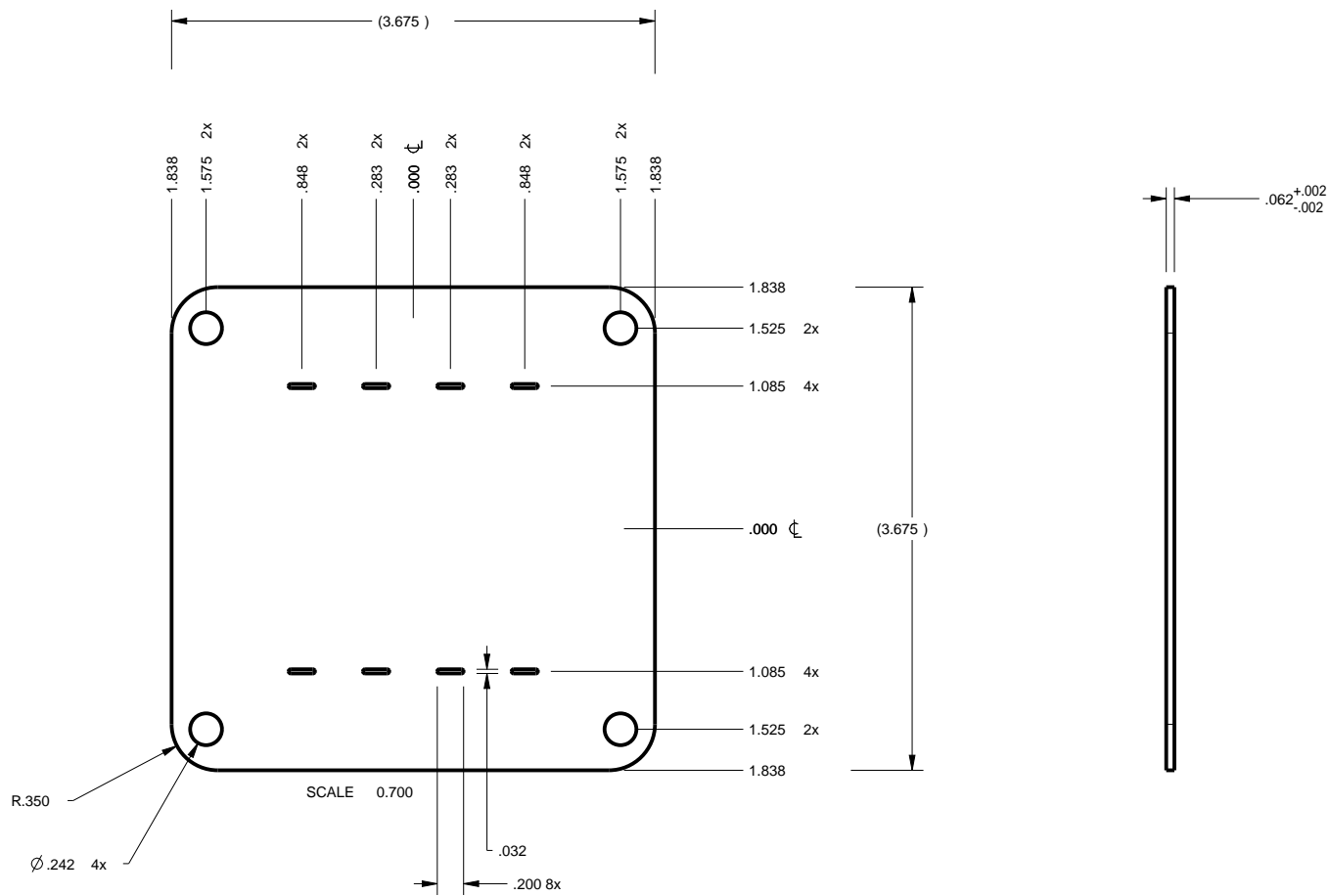
SECTION Y-Y



TOLERANCES: UNLESS OTHERWISE SPECIFIED DIMENSIONS ARE IN U.S. INCHES: X.XX = .015 X.XXXX = .001 X.XXX = .010 XX° = 1°		NEW AGE ENCLOSURES 4330 Santa Fe Road San Luis Obispo, CA. 93401 ph. (805) 595-1310 fax (805) 595-1024 www.newageenclosures.com	
Customer's Part No: 404017			
APPROVAL	BY	DATE	STANDARD - 4AA PALM-HELD SXX-404017-XXX
CHECK			
ENG.			
SCALE			
DRAWN BY	M BOYER	Dec-24-10	SIZE A DRAWING NAME 404017_RC SHEET 5 OF 7 REV.DOC C

404017 PCB - CUSTOMER SUPPLIED

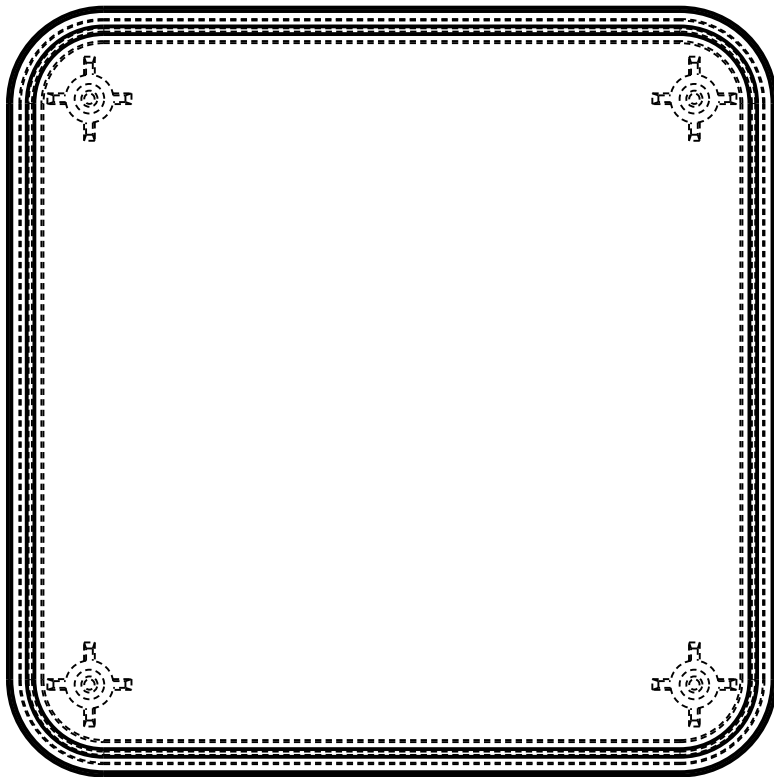
PCB SIZES ARE RECOMMENDATIONS ONLY. FINAL SIZES AND VERIFICATION OF IT'S FIT ARE THE SOLE RESPONSIBILITY OF THE OEM.



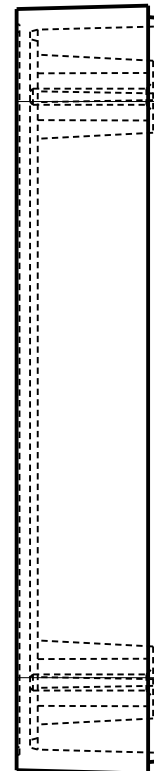
TOLERANCES: UNLESS OTHERWISE SPECIFIED DIMENSIONS ARE IN U.S. INCHES: X.XX = .015 X.XXXX = .001 X.XXX = .010 X.X° = 1°		NEW AGE ENCLOSURES 4330 Santa Fe Road San Luis Obispo, CA. 93401 ph. (805) 595-1310 fax (805) 595-1024 www.newageenclosures.com	
Customer's Part No: 404017			
APPROVAL	BY	DATE	STANDARD - 4AA PALM-HELD SXX-404017-XXX
CHECK			
ENG.			
SCALE			
DRAWN BY	Dec-24-10		SIZE A DRAWING NAME 404017_RC SHEET 6 OF 7 REV.DOC C

404017 - 2nd OPERATION DETAILS

NEW AGE ENCLOSURES DELIVERS YOUR ENCLOSURE MARKET-READY WITH IN-HOUSE
 CNC MACHINING, PAD PRINTING, ASSEMBLY, AND FULFILLMENT.
 ALL SURFACES AND AREAS ARE AVAILABLE FOR CNC ALTERATION BY NEW AGE ENCLOSURES
 CALL (805) 595-1310 FOR PRICING AND SCHEDULE.
 THE INSIDE RADIUS OF ANY MACHINED FEATURES SHOULD BE NO SMALLER THAN .031"



SCALE 1.000



SXX-404017-XXX COVER - ABS, BLACK

STEP NO	DESCRIPTION	CUTTER	FIXTURE	ORIENTATION	PROGRAM
2		T2 = .062" EM			
3					
4					

TOLERANCES: UNLESS OTHERWISE SPECIFIED DIMENSIONS ARE IN U.S. INCHES: X.XX = .015 X.XXXX = .001 X.XXX = .010 XX° = 1°		NEW AGE ENCLOSURES 4330 Santa Fe Road San Luis Obispo, CA. 93401 ph. (805) 595-1310 fax (805) 595-1024 www.newageenclosures.com	
NEW AGE ENCLOSURES Customer's Part No: 404017			
APPROVAL	BY	DATE	STANDARD - 4AA PALM-HELD SXX-404017-XXX
CHECK			
ENG.			
SCALE			
DRAWN BY M BOYER		Dec-24-10	SIZE A
		DRAWING NAME 404017_RC	SHEET 7 OF 7
			REV.DOC C