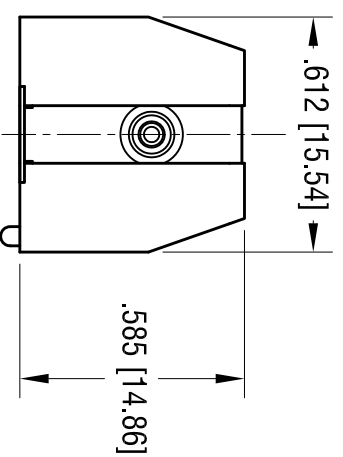
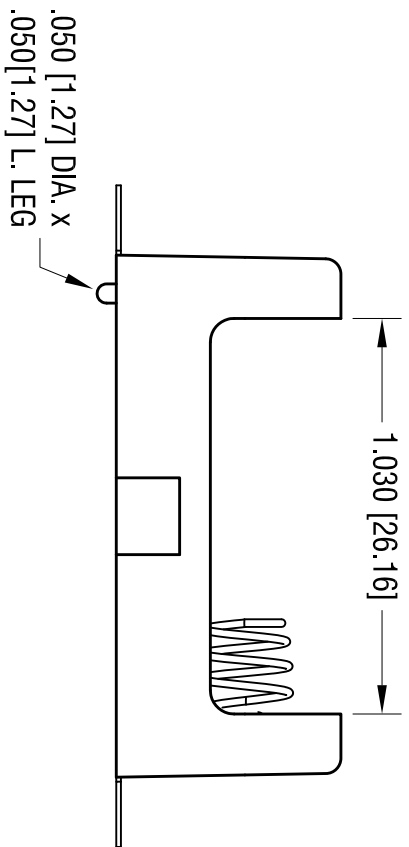
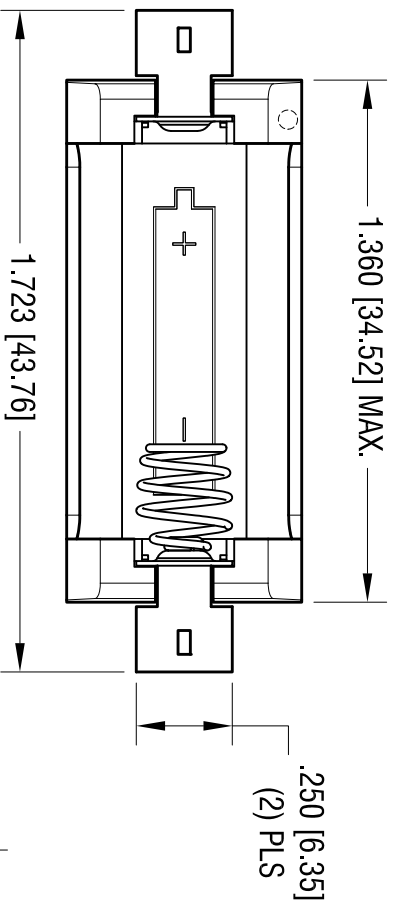
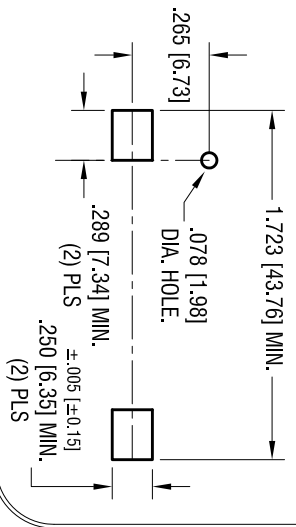
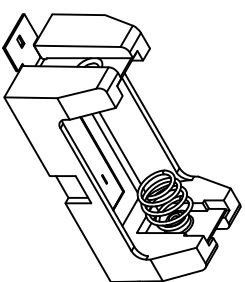


MOUNTING PAD LAYOUT



- NOTE:**
- 1. BASE:**
MAT'L: HEAT RESISTANCE NYLON
STANLYL 46 OR EQUIVALENT
 - 2. CONTACTS:**
MAT'L: BASE-.012 [0.30] THK STAINLESS STEEL
SPRING-.020 [0.50] DIA. MUSIC WIRE
FINISH: GOLD FLASH, OVER NICKEL PLATE.



THIS DOCUMENT IS THE PROPERTY OF KEYSTONE ELECTRONICS CORP. AND SHALL NOT BE REPRODUCED, DISTRIBUTED OR USED AS A BASIS FOR MANUFACTURE WITHOUT PRIOR WRITTEN PERMISSION FROM KEYSTONE ELECTRONICS CORP.

| DATE | DESCRIPTION | REV. |
|------|-------------|------|
| | | |

| | | | |
|---|-------------|--------------|----------------|
| KEYSTONE ELECTRONICS CORP. | | | |
| www.keystec.com • ASTORIA, N.Y. 11105-2017 • Tel (718) 956-8900 | | | |
| PART NAME | | | |
| SM BATTERY HOLDER, 1/2 AA | | | |
| MATERIAL | | | |
| AS NOTED | | | |
| FINISH | | | |
| AS NOTED | | | |
| TOLERANCES | | INCH | [MM] |
| DECIMAL | ± .010 | [± 0.25] | |
| ANGULAR | ± 1° | | |
| UNLESS OTHERWISE SPECIFIED | | CODE | DWG NO. |
| | | C | 1126 |
| DRN BY | DATE | SCALE | |
| NT | 10.31.14 | 2X | |
| APP'D | LN | | |