

# Crimp contact - SF-7PS2000



1605636

<https://www.phoenixcontact.com/sk/products/1605636>

Please be informed that the data shown in this PDF document is generated from our Online Catalog. Please find the complete data in the user documentation. Our General Terms of Use for Downloads are valid.



Crimp contact, turned, Single contact, contact diameter: 2 mm, crimp range: 0.25 mm<sup>2</sup> ... 1 mm<sup>2</sup>  
item no.: 1241952

## Your advantages

- Crimping connection: vibration- and temperature-resistant assembly
- High tensile strength of the connection
- Low contact resistance
- Easy production monitoring

## Commercial Data

Item number	1605636
Packing unit	50 pc
Minimum order quantity	50 pc
Note	Made to Order (non-returnable)
Sales Key	ABR
Product Key	ABREBD
Catalog Page	Page 160 (C-2-2019)
GTIN	4046356182263
Weight per Piece (including packing)	1.174 g
Weight per Piece (excluding packing)	1.112 g
Customs tariff number	85366990
Country of origin	DE

# Crimp contact - SF-7PS2000



1605636

<https://www.phoenixcontact.com/sk/products/1605636>

## Technical Data

### Product properties

Product type	Crimp contact
Contact type	turned
Series	SF

### Connection data

Connection method	Crimp connection
-------------------	------------------

### Material specifications

Contact surface	Nickel-plated (Ni), with gold coating (Au)
Contact material	CuZn
Contact material	CuZn
Contact surface	Nickel-plated, gold coating

### Dimensions

#### Mechanical characteristics

Contact diameter	2 mm
------------------	------

### Electrical properties

#### Contact

Contact diameter	2 mm
Min. cross section	0.25 mm <sup>2</sup>
Max. cross section	1 mm <sup>2</sup>

# Crimp contact - SF-7PS2000

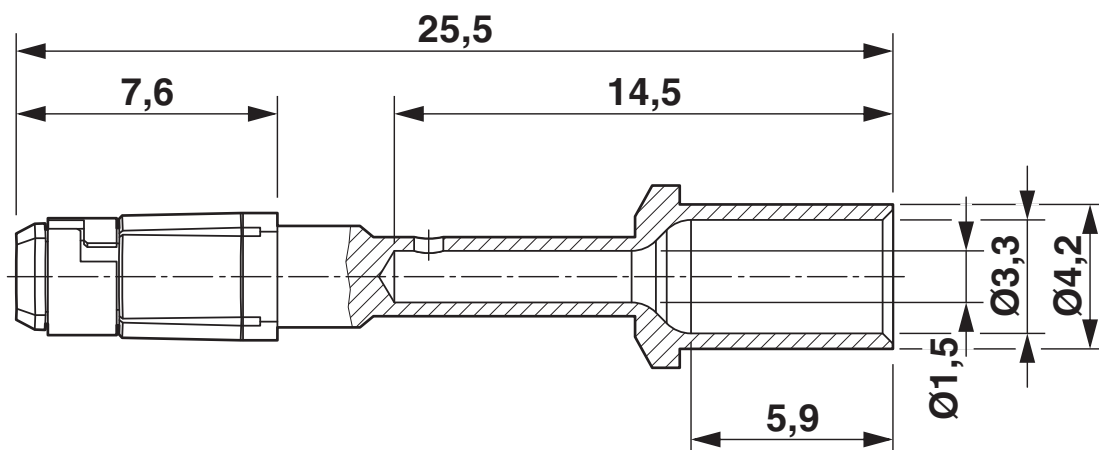
1605636

<https://www.phoenixcontact.com/sk/products/1605636>



## Drawings

Dimensional drawing



# Crimp contact - SF-7PS2000

1605636

<https://www.phoenixcontact.com/sk/products/1605636>



## Approvals



**EAC**

Approval ID: B.01687

# Crimp contact - SF-7PS2000



1605636

<https://www.phoenixcontact.com/sk/products/1605636>

## Classifications

### ECLASS

ECLASS-9.0	27440204
ECLASS-10.0.1	27440204
ECLASS-11.0	27440204

### ETIM

ETIM 8.0	EC000796
----------	----------

### UNSPSC

UNSPSC 21.0	39121500
-------------	----------

# Crimp contact - SF-7PS2000

1605636

<https://www.phoenixcontact.com/sk/products/1605636>



## Environmental Product Compliance

REACH SVHC	Lead 7439-92-1
China RoHS	Environmentally Friendly Use Period = 50 years
	For information on hazardous substances, refer to the manufacturer's declaration available under "Downloads"

# Crimp contact - SF-7PS2000

1605636

<https://www.phoenixcontact.com/sk/products/1605636>



## Accessories

### Crimping pliers with digital display

Crimping pliers with digital display - SF-Z0025 - 1607452

<https://www.phoenixcontact.com/sk/products/1607452>



Crimping pliers for turned crimp contacts  $\varnothing$  1.0 mm /  $\varnothing$  1.6 mm /  $\varnothing$  2 mm /  $\varnothing$  3.6 mm, litz wire cross section of 0.08 mm<sup>2</sup> ... 6 mm<sup>2</sup>

---

### Crimping tool, pneumatic

Crimping tool, pneumatic - SF-Z0043 - 1614571

<https://www.phoenixcontact.com/sk/products/1614571>



Crimping tool, pneumatic, series: ST;RF;SF;SM

---

Phoenix Contact 2023 © - all rights reserved

<https://www.phoenixcontact.com>

PHOENIX CONTACT s.r.o.

Námestie Mateja Korvína 1

811 07 Bratislava

+421 2 3210 1470

[obchod.sk@phoenixcontact.com](mailto:obchod.sk@phoenixcontact.com)