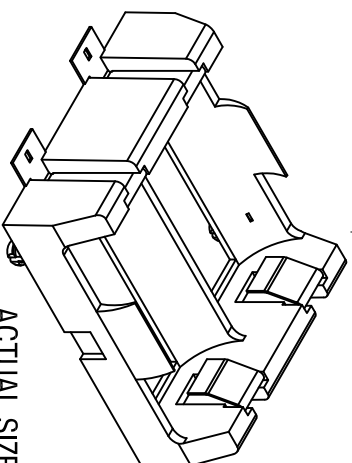
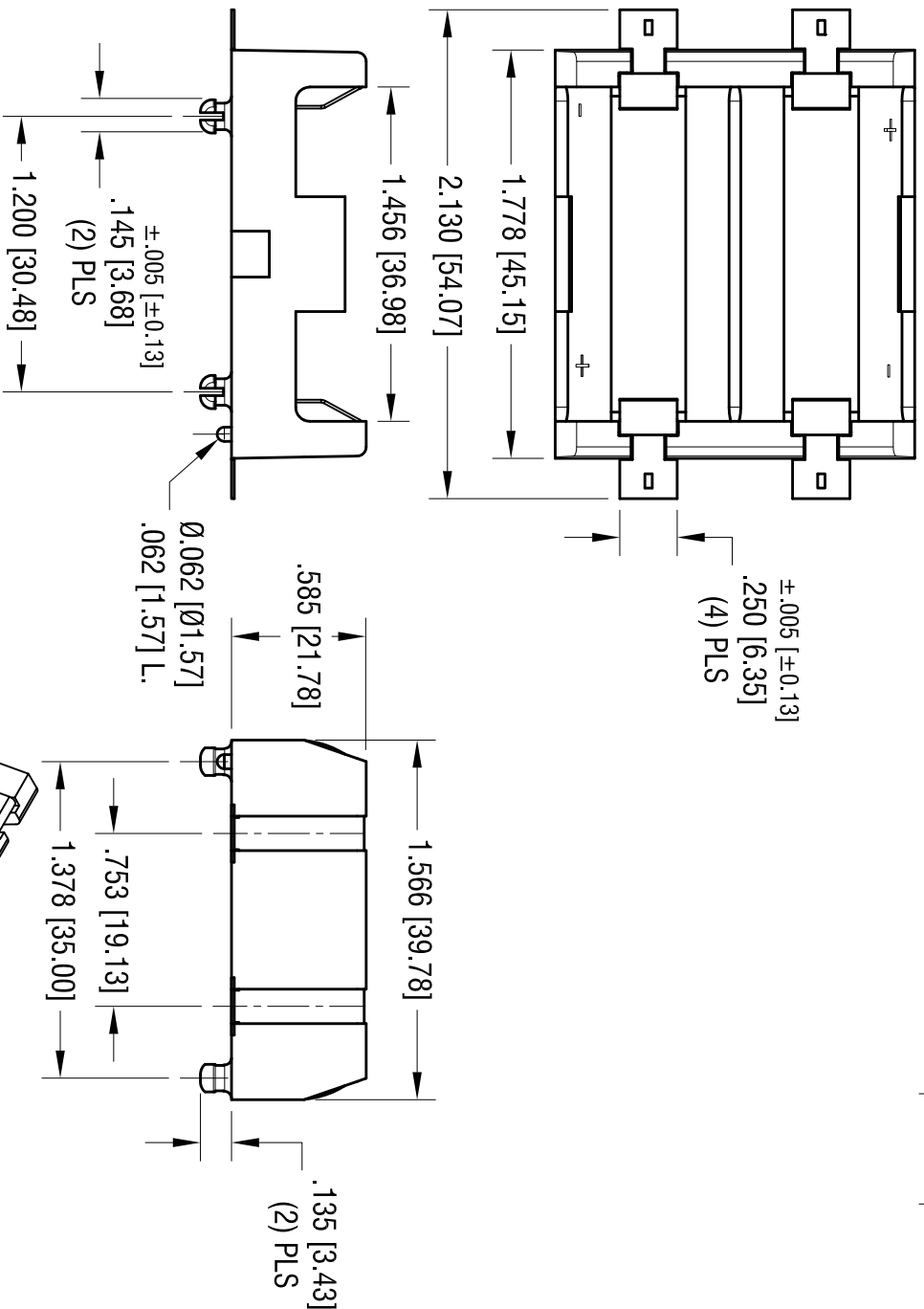
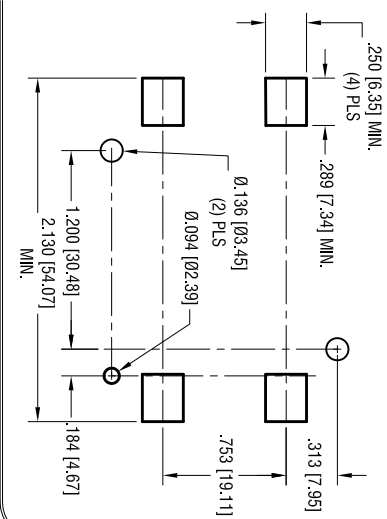


MOUNTING PAD LAYOUT



ACTUAL SIZE

- NOTE:**
- 1. BASE:**
MATERIAL: HEAT RESISTANCE NYLON
STANLYL 46 OR EQUIVALENT
 - 2. CONTACT:**
MATERIAL: .012 [0.30] THK STAINLESS STEEL
FINISH: GOLD FLASH, OVER NICKEL PLATE

DATE	DESCRIPTION	REV.
9.24.14	CHANGE AS PER ECN 14-098	A

KEYSTONE ELECTRONICS CORP.
www.keystec.com • ASTORIA, N.Y. 11105-2017 • Tel (718) 956-8900

PART NAME DUAL SM BATTERY HOLDER
MATERIAL AS NOTED

FINISH		TOLERANCES		CODE	
AS NOTED	INCH [MM]	± .010 [± 0.25]	ANGULAR ± 1°	C	DWG NO.
					1098
DRN BY	DATE				
NT	7.28.14				
APP'D	SCALE				
LN	1.25X				

THIS DOCUMENT IS THE PROPERTY OF KEYSTONE ELECTRONICS CORP. AND SHALL NOT BE REPRODUCED, DISTRIBUTED OR USED AS A BASIS FOR MANUFACTURE WITHOUT PRIOR WRITTEN PERMISSION FROM KEYSTONE ELECTRONICS CORP.