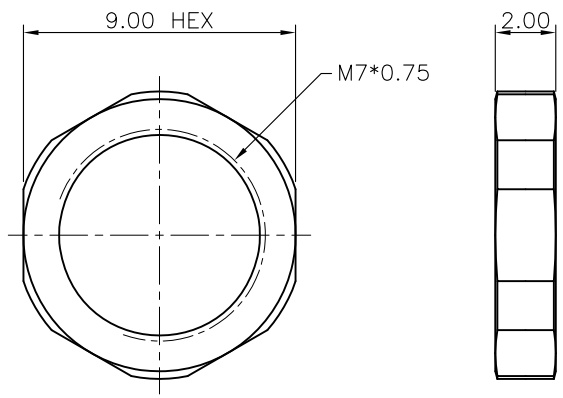
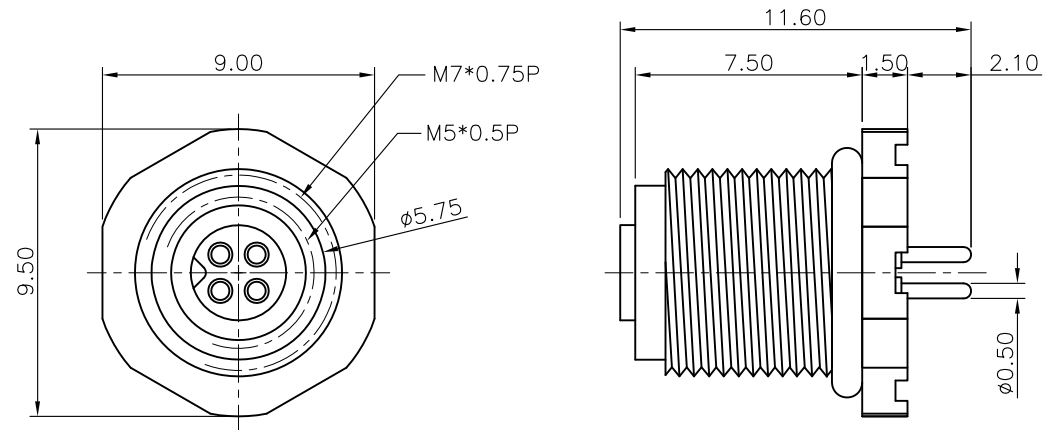
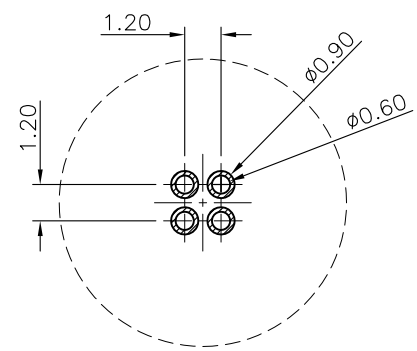


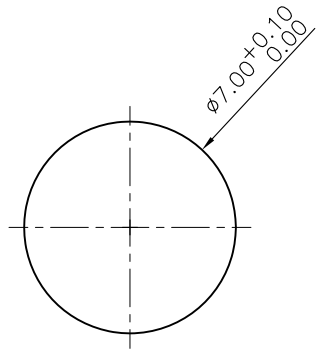
REV.	DESCRIPTION	DRAWN	DATE
1	INITIAL RELEASE	Tim	2016/08/16



NUT



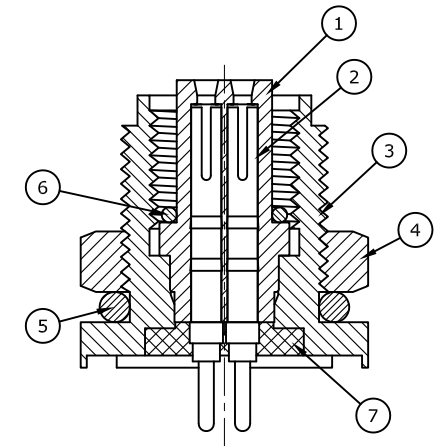
RECOMMEND PCB LAYOUT





RECOMMEND PANEL CUT OUT

SPECIFICATION:

1. CURRENT RATING: 1A
2. VOLTAGE: 60V
3. WATER PROOF: IP67
4. OPERATION TEMPERATURE: -20°C TO +85°C



7	EPOXY BASE	EF400A & EF400B, BLACK
6	O-RING	BLACK
5	O-RING	EPDM, BLACK
4	NUT	BRASS, NICKEL PLATED
3	SHELL	BRASS, NICKEL PLATED
2	CONTACT	PHOSPHOR BRONZE, GOLD FLASH OVER NICKEL PLATING
1	HOUSING	PBT, UL94V-0, BLACK
NO	PART NAME	DESCRIPTION

UNLESS OTHERWISE SPECIFIED TOLERANCE					
UNIT:	DECIMAL	LINEAR	ANGLES		
mm	X.	±0.50	±5°	WWW.ATTEND.COM.TW	
	X.X	±0.25	±3°		
	X.XX	±0.12	±1°		
DRAWN	Tim	2016/08/16	DRAWN NAME:		
CHECKED	Fros	2016/08/16	M5 A-Code Receptacle, 4Pin Female Straight PCB Type, Front Fastened		
APPROVED	Ken	2016/08/16	PRODUCT NO.	220A-04FSF	
	SCALE 4/1	SHEET 1/1	SIZE A4	FILE NAME	220A-04FSF_B_1