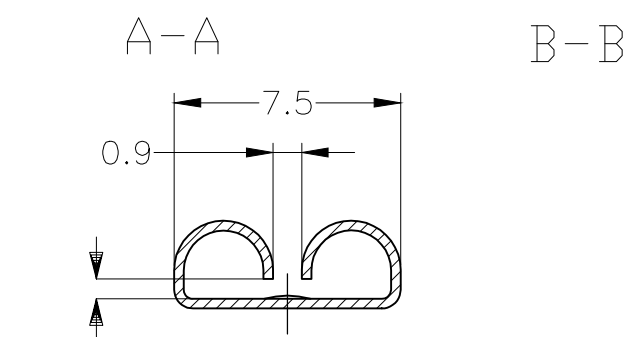
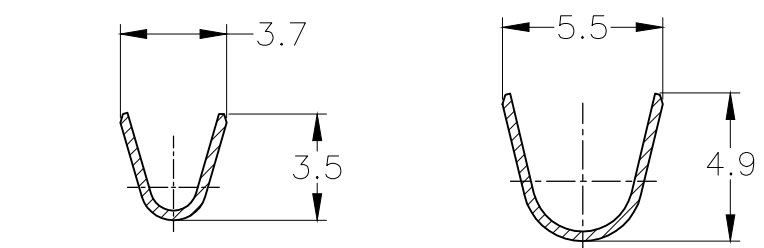
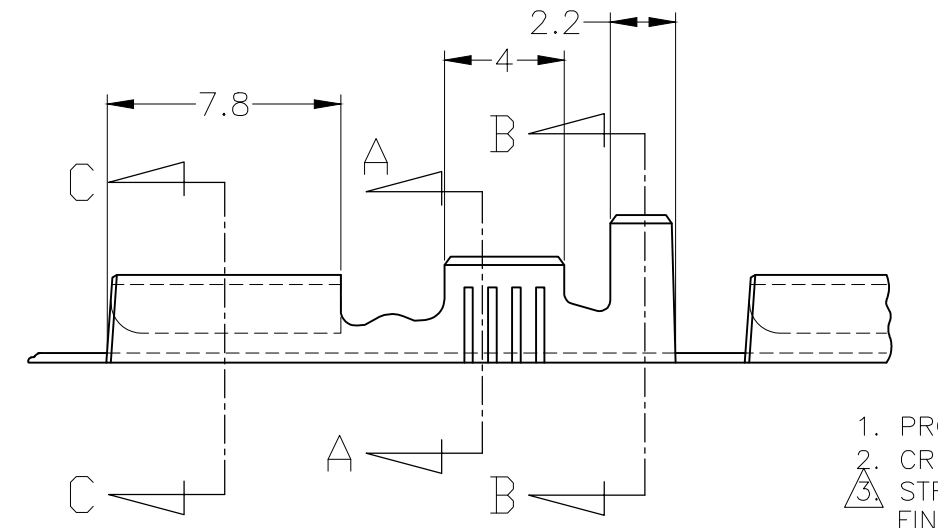
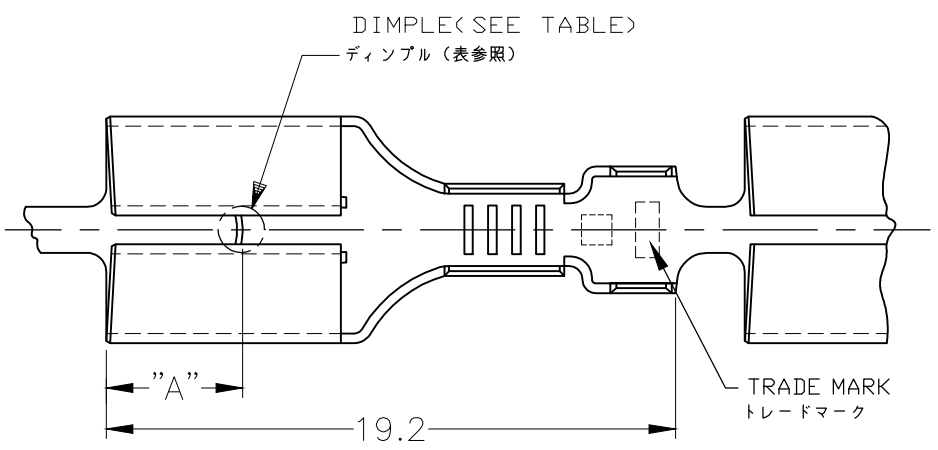


THIS DRAWING IS UNPUBLISHED. RELEASED FOR PUBLICATION
 © COPYRIGHT 2004 By - ALL RIGHTS RESERVED.

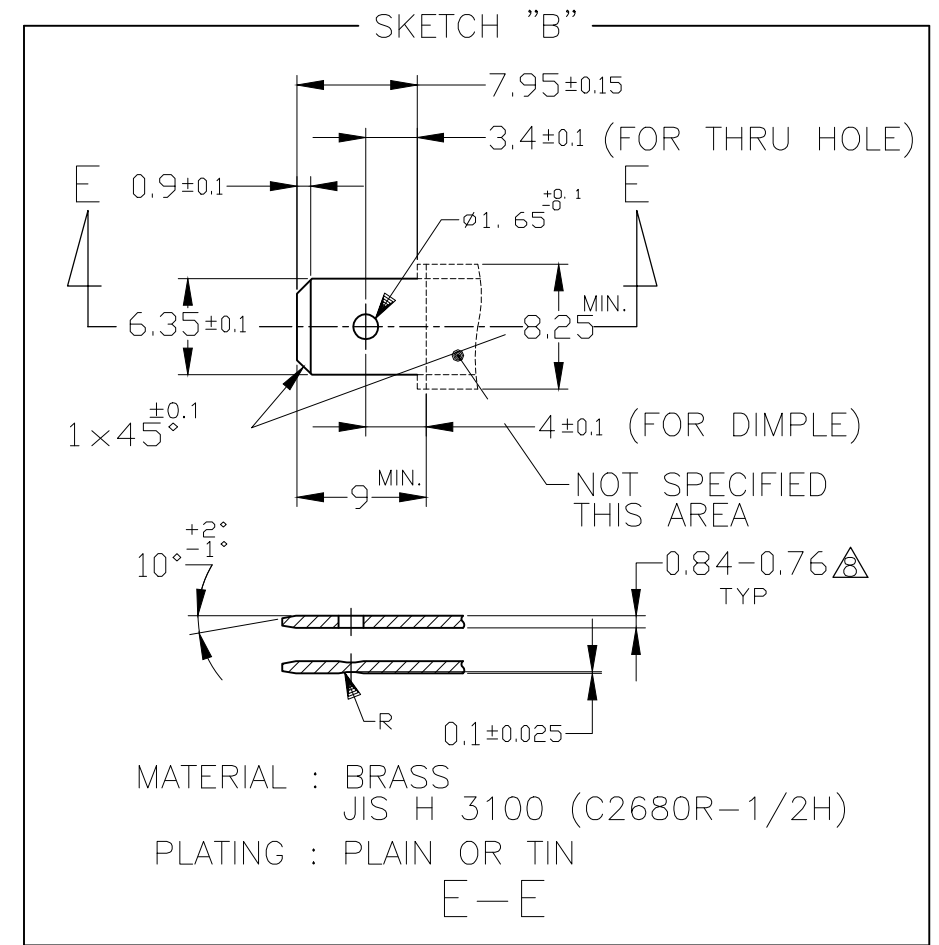
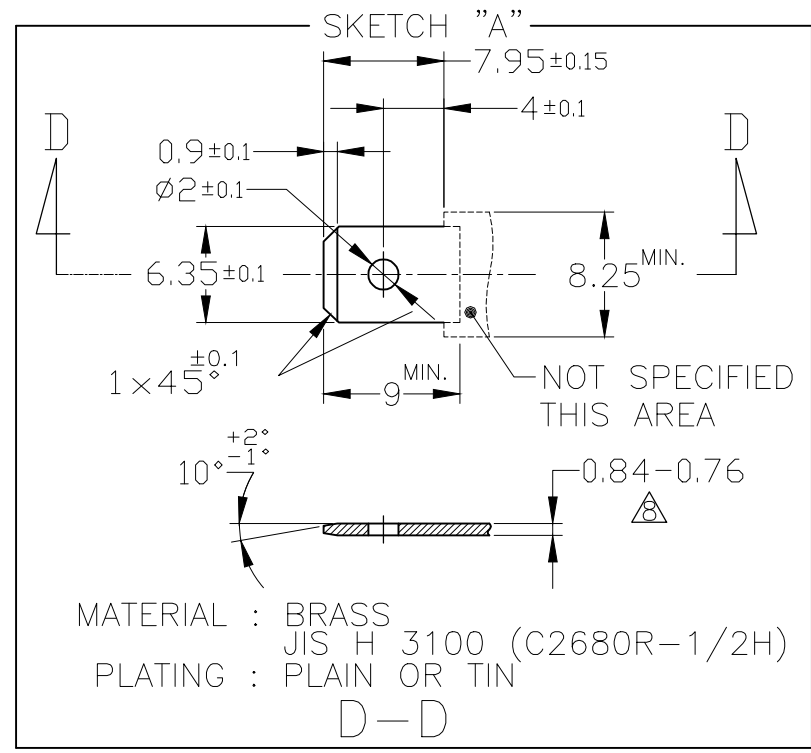
LOC	DIST	REVISIONS					
J	-	P	LTR	DESCRIPTION	DATE	DWN	APVD
			U3	REVISED PER ECR-16-015552	3NOV2016	D.L	T.D
			U4	REVISED PER ECR-20-009164	11AUG2020	MK	E.W



この寸法は嵌合力によって管理する。
 THIS DIMENSION IS CONTROLLED WITH MATING FORCE AND 0.71 MAX

C-C

推奨タブ図 RECOMMENDED TAB DIMENSIONS



1. PRODUCT SPEC : 108-5153, 108-5169
2. CRIMP SPEC : 114-5052
3. STRESS RELIEVING FINISH IS SUBJECT TO CHANGE BY THE TYPE OF STRESS RELIVING PROCESS
 INERT GAS FURNACE - - - -MATTE
 ATMOSPHERIC FURNACE FOLLOWED BY ACID PICKLE - - - -BRIGHT
4. ELIMINATION STRESS RELIVING PROCESS
5. PRODUCT SPECIFICATION: 108-5147
6. QUALIFICATION TEST REPORT: 501-5050

SEPARATE PAPER TYPE
 MATING TAB THICKNESS IS 0.84-0.76

1. 製品規格 : 108-5153, 108-5169
2. 取付適用規格 : 114-5052
3. ストレス除去処理
 処理方法により外観が変わります。
 不活性ガス加熱方式 - - - 無光沢
 大気加熱方式 - - - 光沢
4. ストレス除去処理をしない。
5. 製品規格 : 108-5147
6. 認定試験報告書 : 501-5050

OBSOLETE AMP AUSTRALIAN PRODUCT
 オブsolete アンプ オーストラリア製

OBSOLETE SKETCH "A" OR "B"

170030-1 OR EQUIVALENT TO 170030	W/O DIMPLE	---	BRASS	---	---	8-170032-7
170256-3 OR EQUIVALENT TO 170256	W/O DIMPLE	TIN PLATING	BRASS	---	179461-5	6-170032-5
170030-1 OR EQUIVALENT TO 170030	W/O DIMPLE	△	BRASS	---	---	6-170032-2
170030-3 OR EQUIVALENT TO 170030	W/O DIMPLE	TIN PLATING 錫メッキ	ZKLF-5 #4	---	---	170032-6
170256-3 OR EQUIVALENT TO 170256	W/O DIMPLE	TIN PLATING 錫メッキ	BRASS	---	179461-5	170032-5
SKETCH, "A"	WITH DIMPLE	TIN PLATING 錫メッキ	BRASS	4.5	---	170032-4
OBSOLETE SKETCH "A" OR "B"	WITH DIMPLE	---	BRASS	3.8	---	170032-3
170030-1 OR EQUIVALENT TO 170030	W/O DIMPLE	---	BRASS	---	---	170032-2
SKETCH, "A"	WITH DIMPLE	---	BRASS	4.5	---	170032-1
MATING TAB	DIMPLE	FINISH	MATERIAL	"A"	LOOSE PIECE NUMBER	PART NUMBER

THIS DRAWING IS A CONTROLLED DOCUMENT.

DWN A.YAMAGUCHI 23JUN04	TE Connectivity 250 SERIES RECEPTACLE WITHOUT LATCH				
CHK K.BETSUI 19SEP2015					
APVD K.BETSUI 23JUN04					
NAME 名称					
PRODUCT SPEC 製品規格	SIZE	CAGE CODE	DRAWING NO 番号	RESTRICTED TO	
APPLICATION SPEC 取付適用規格	A3	00779	C-170032	-	
WEIGHT	CUSTOMER DRAWING		SCALE 尺度 4:1	SHEET 1 OF 1	REV U4

WIRE RANGE 0.5-2.27mm ² (AWG20-14)
INSULATION DIA. 2.16~3.43mmφ

MATERIAL 材料 0.32 THK

FINISH 仕上 SEE TABLE △