



SPECIFICATIONS SHEET

PRODUCT TYPE : MAGNETIC BUZZER

PRODUCT SERIES : TDB

DESCRIPTION : MT BUZZER SINGLE 5VDC PIN NORYL

SP RoHS

COLOR : BLACK

ELECTRICAL SPECIFICATIONS

MODEL NO.	TDB05LFPN
OPERATING VOLTAGE RANGE (VDC)	4.0 ~ 7.0
RATED VOLTAGE (VDC)	5.0
* MAX. RATED CURRENT (mA)	30.0
* MIN. SOUND OUTPUT (dBA/ 10 cm)	85.0
* FREQUENCY (Hz)	2300 ± 300
TONE NATURE	SINGLE
OPERATING TEMPERATURE (°C)	- 40 ~ + 85
TERMINAL	PIN
HOUSING MATERIAL	NORYL
WEIGHT (g)	2.0

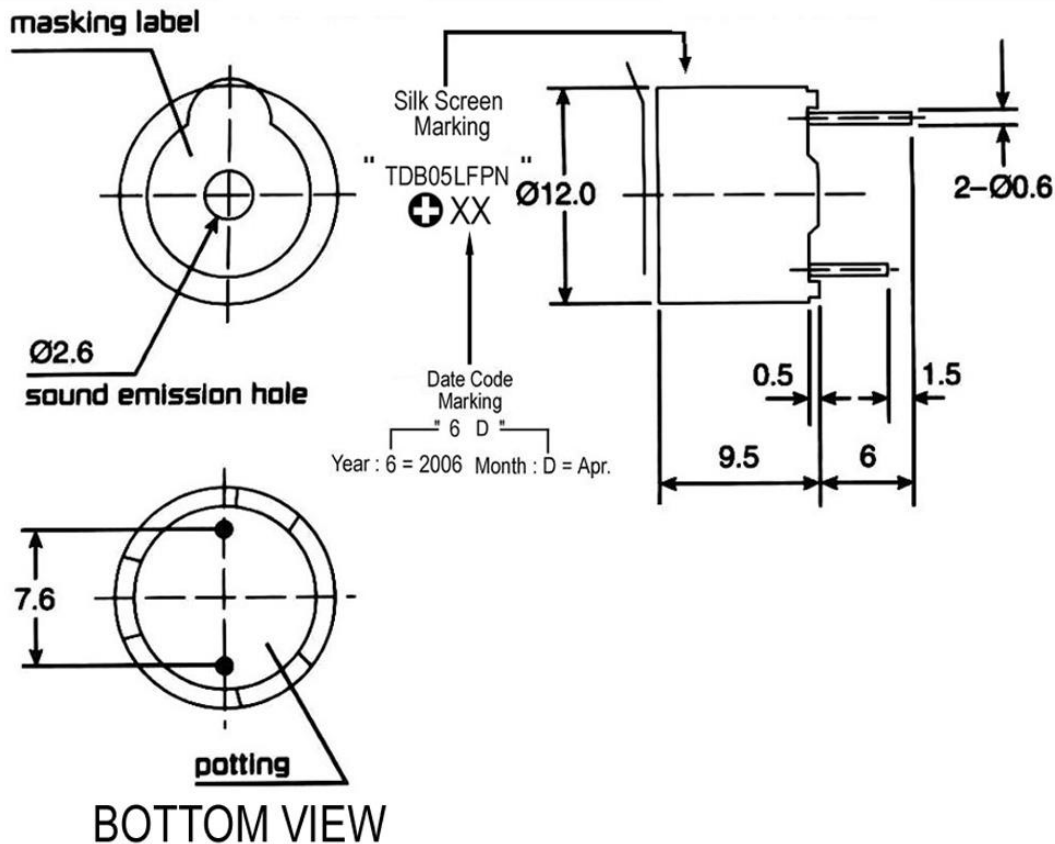
* Value applying at rated voltage

DIMENSIONS

UNIT : mm

TOP VIEW

SIDE VIEW



Approved By : 
Date : 26-Apr.-2006



Prepared By : 
Date : 26-Apr.-2006



Modify :	Date :	By :
Add Date Code Marking	26-Apr-06	Joey