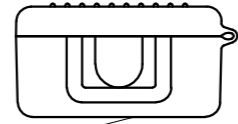
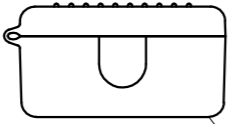
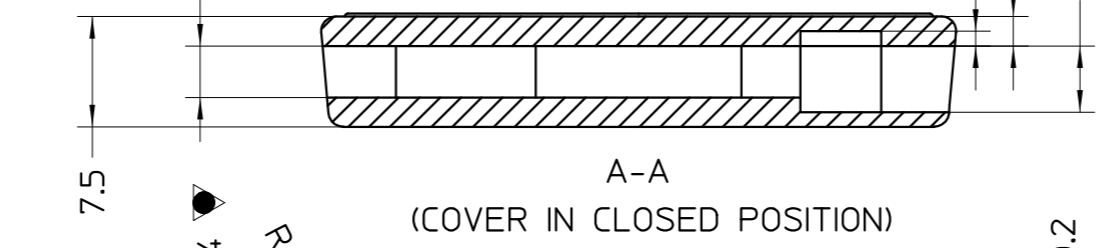
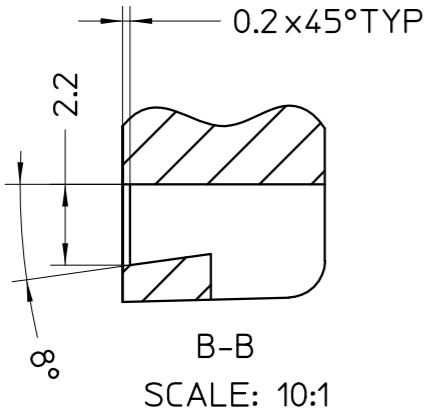
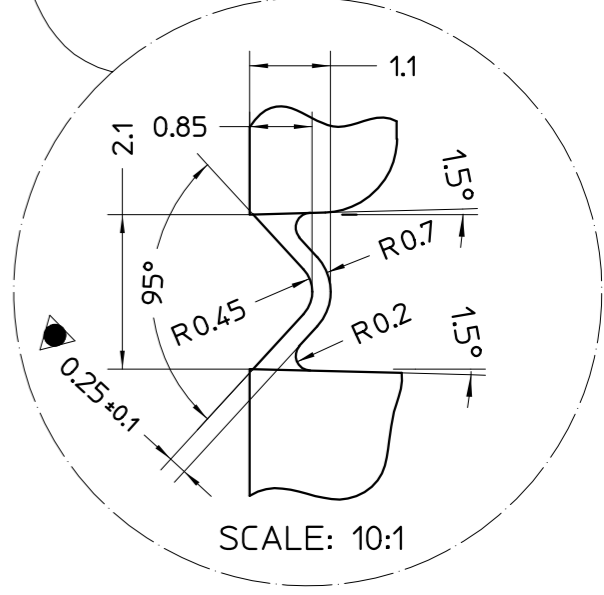
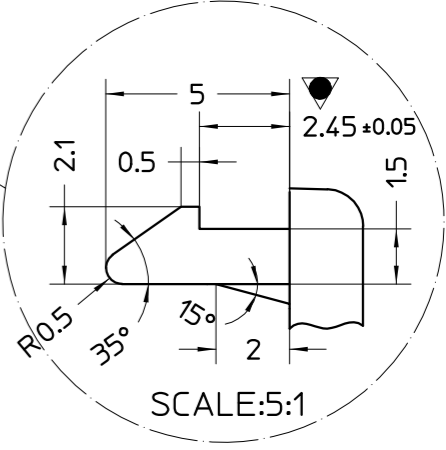
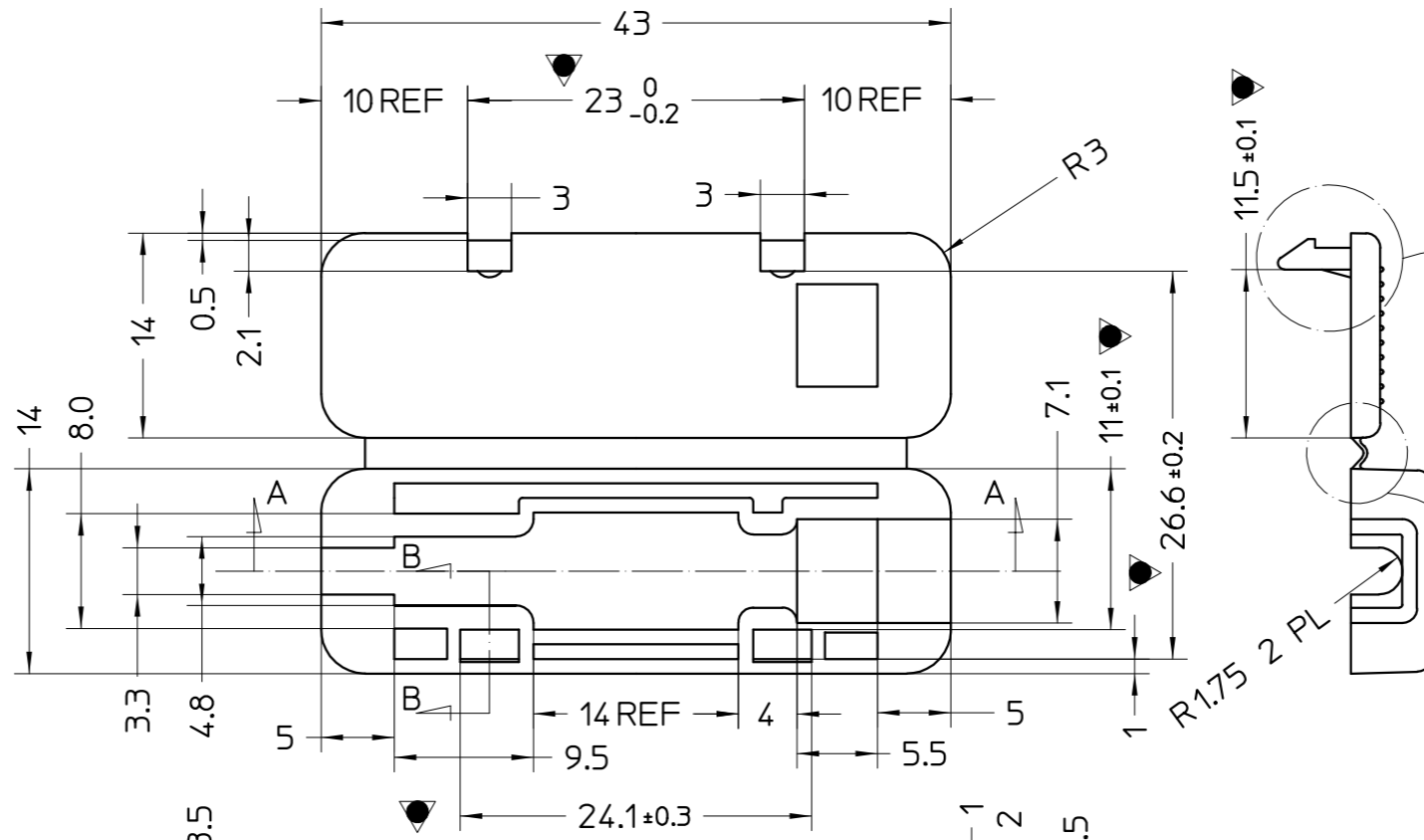
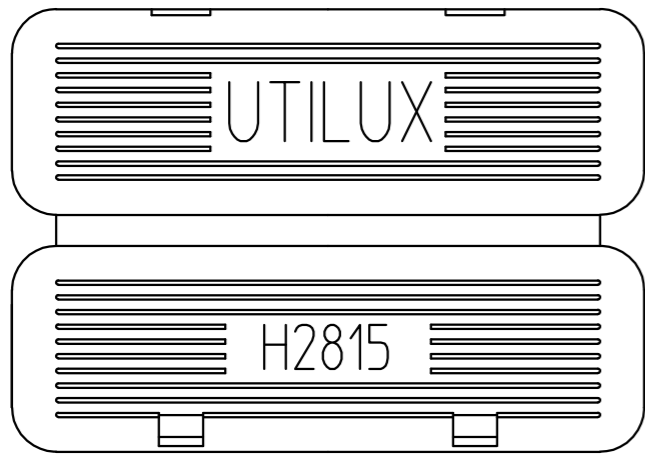


USED ON -



NOTES:

1. CHARACTERISTICS REQUIRING PROCESS CONTROL MARKED THUS:

- ▽ CRITICAL
- SIGNIFICANT LEVEL I
- ▽ SIGNIFICANT LEVEL II

2. POST-FIT TYPE INSULATOR FOR USE WITH QC 6.3 STRAIGHT RECEPTACLE MATED WITH AN IN-LINE TYPE QC 6.3 TAB.

3. MOULDINGS TO BE MOISTURE CONDITIONED BEFORE PACKING (2.5% WATER BY WEIGHT)

0	REDRAWN - WAS UTX DRG No. 01.02815.01	28.02.08	WR	-
LTR	REVISION RECORD	DATE	DWN	APVD

NYLON 6 NATURAL		1-1659901-0	INSULATOR, BOOK-TYPE (H2815)		1-1627127-0
MATERIAL DESC.		MATERIAL No.	DESCRIPTION (UTX P/No.)		PART No.
THIS DRAWING IS A CONTROLLED DOCUMENT.			DWN: W,RIEDE	18 FEB 08	Kingsgrove AUSTRALIA
ALL DIMENSIONS IN mm:			CHK: H,THAI	18 FEB 08	
TOLERANCES UNLESS OTHERWISE SPECIFIED:		APVD: W,RIEDE		18 FEB 08	NAME: INSULATOR, BOOK-TYPE, QC 6.3
DIMENSION (mm) TOLERANCE(±mm)		PRODUCT SPEC:		SIZE	
LESS THAN 10 0.15		APPLICATION SPEC:		CAGE CODE	
OVER 10 TO 30 0.25		WEIGHT: -		DRAWING NO	RESTRICTED TO
OVER 30 TO 80 0.30		MATERIAL REF BLOCK		1627127	-
OVER 80 TO 250 0.50		FINISH REF BLOCK		SCALE 2:1	SHEET 1 OF 1
ANGLES ±2°		MATERIAL REF BLOCK		PRODUCTION DRAWING	REV 0

THIS INFORMATION IS CONFIDENTIAL AND PROPRIETARY TO TYCO ELECTRONICS AND ITS WORLDWIDE SUBSIDIARIES AND AFFILIATES. IT MAY NOT BE DISCLOSED TO ANYONE OTHER THAN TYCO ELECTRONICS PERSONNEL, WITHOUT AUTHORIZATION.