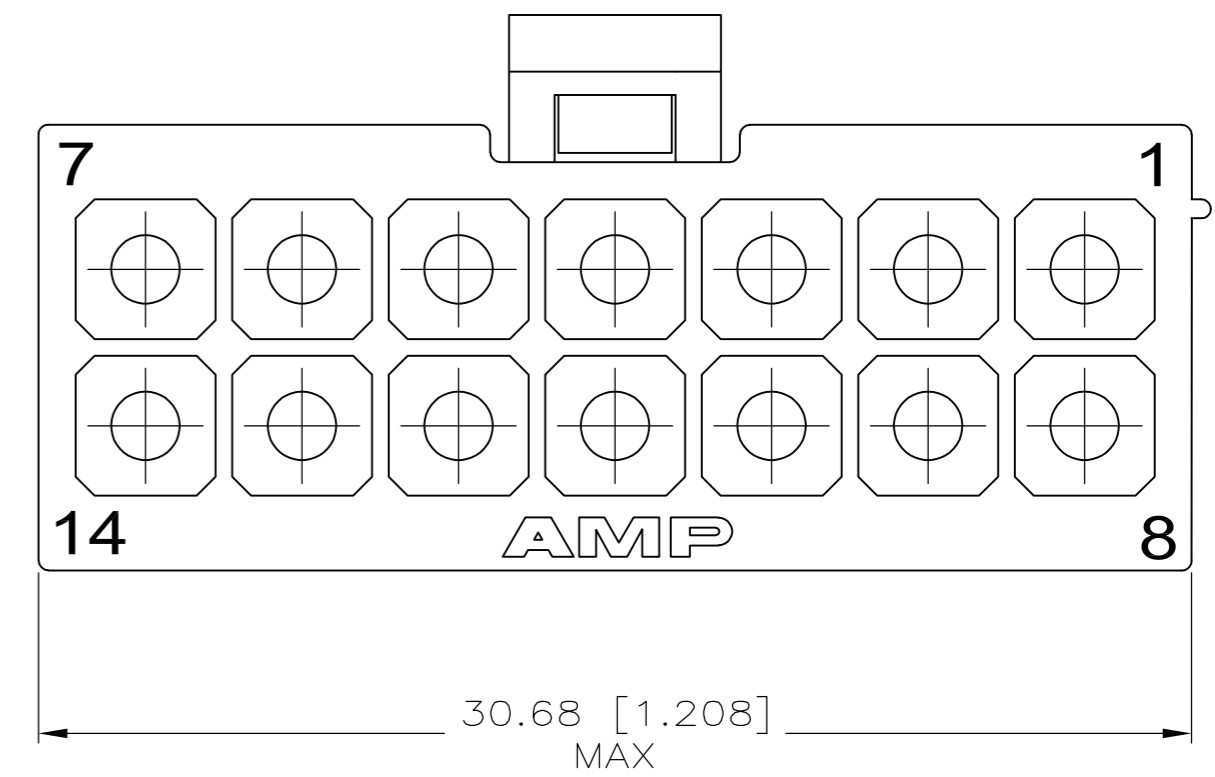
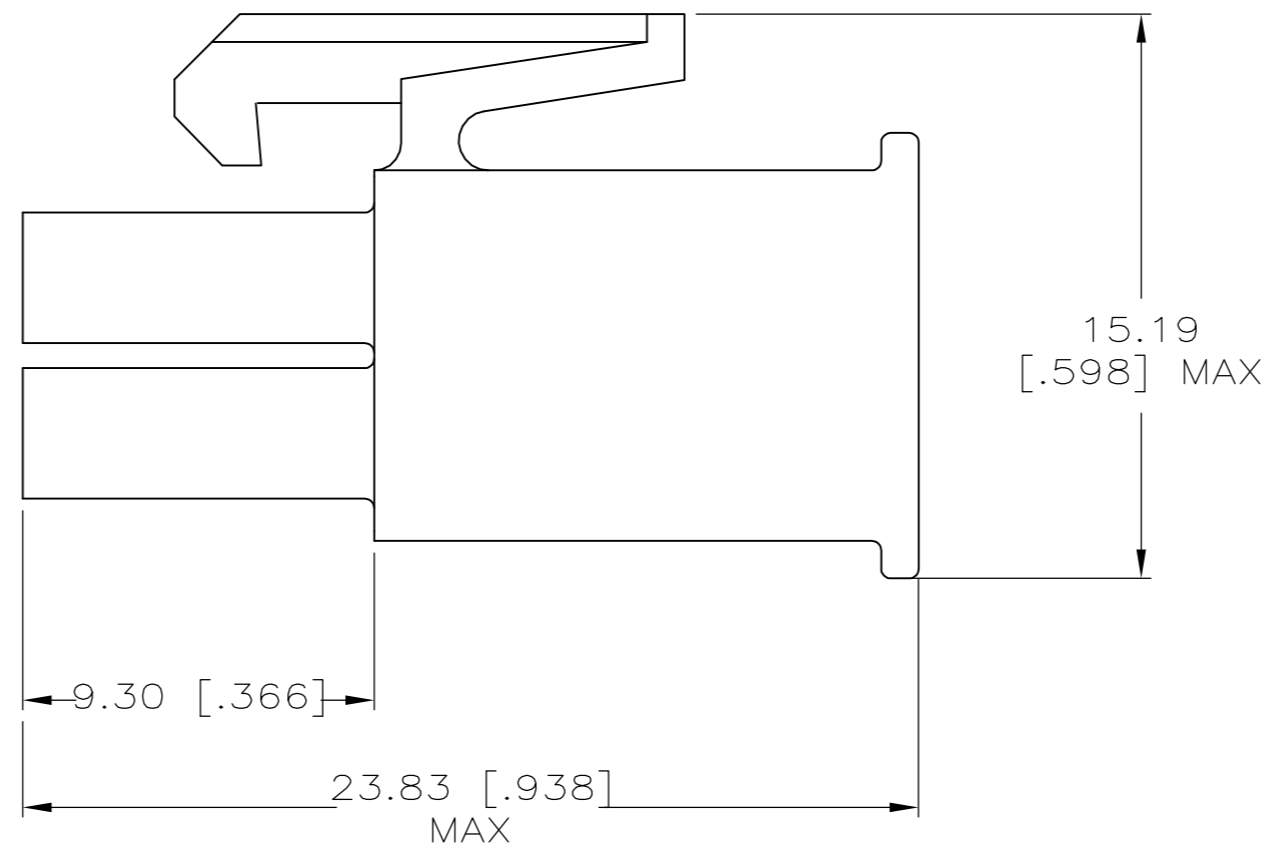
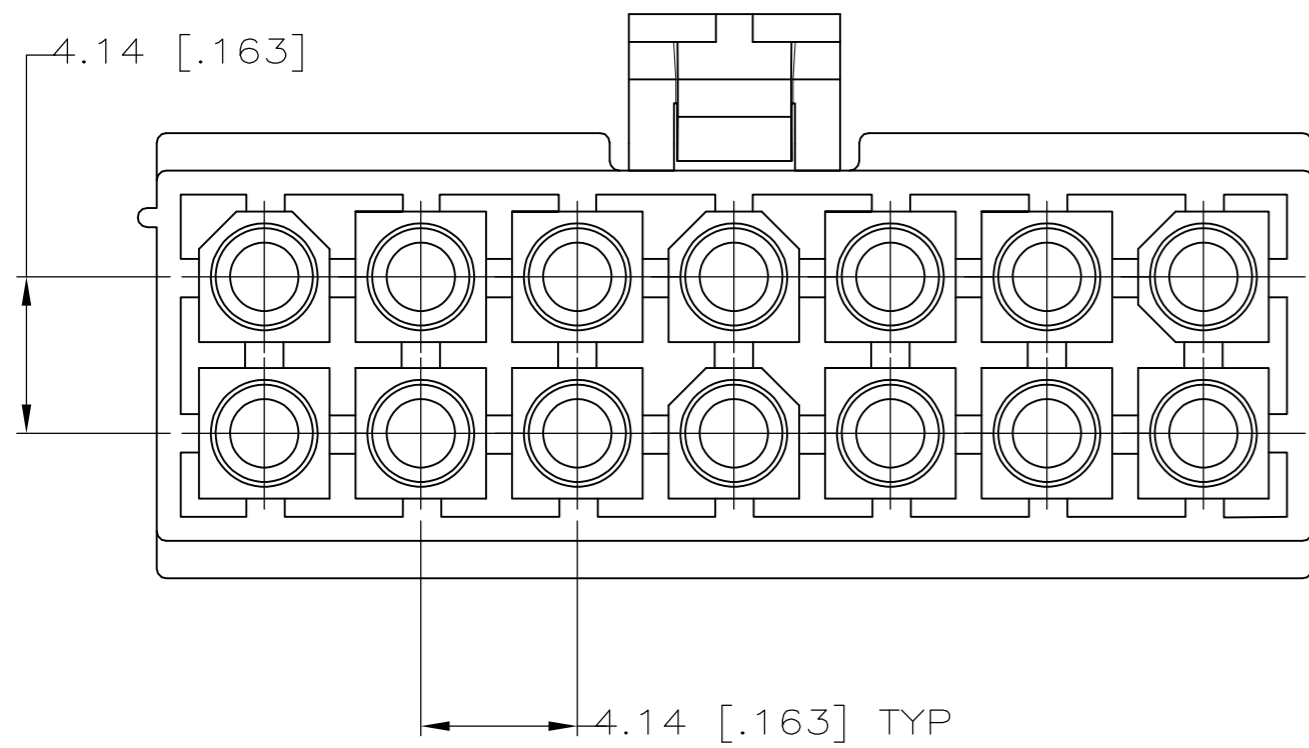


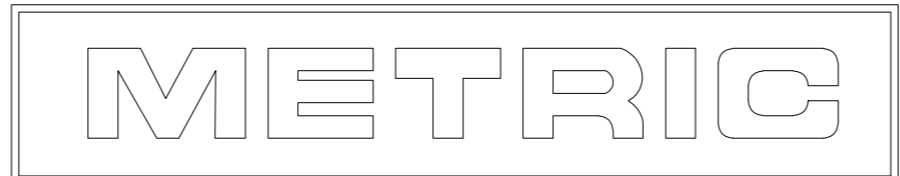
THIS DRAWING IS UNPUBLISHED. RELEASED FOR PUBLICATION  
 © COPYRIGHT By - ALL RIGHTS RESERVED.

LOC	DIST	REVISIONS			
P	LTR	DESCRIPTION	DATE	DWN	APVD
CM	00	G	REVISED PER ECR-13-016757	01-JAN-14	SC KD

1. INDIVIDUAL CORING FEATURES AROUND BASES OF SILOS MAY NOT BE PRESENT IN ALL LOCATIONS SHOWN.



770582-1  
PART NUMBER



THIS DRAWING IS A CONTROLLED DOCUMENT.		DWN	S. HOOVER	12-MAY-2004		TE Connectivity		
DIMENSIONS: mm [INCHES]		CHK	C. JONES	12-MAY-2004		PLUG, 14 CIRCUIT, MINI UNIVERSAL MATE-N-LOK™		
TOLERANCES UNLESS OTHERWISE SPECIFIED:		APVD	C. JONES	12-MAY-2004		SIZE	CAGE CODE	DRAWING NO
0 PLC ±		PRODUCT SPEC	NAME			A2	00779	C=770582
1 PLC ±		APPLICATION SPEC	RESTRICTED TO		SCALE 5:1 SHEET 1 OF 1 REV G			
2 PLC ±		WEIGHT	CUSTOMER DRAWING					
3 PLC ± 0.13 [.005]								
4 PLC ±								
ANGLES ±								
FINISH								
MATERIAL NYLON, UL 94V-0 WHITE								