

## Cable housing - KGG-MC 1,5/ 5 - 1834372


Please be informed that the data shown in this PDF Document is generated from our Online Catalog. Please find the complete data in the user's documentation. Our General Terms of Use for Downloads are valid (<http://phoenixcontact.com/download>)



Cable housing, pitch: 3.81 mm, number of positions: 5, dimension a: 21.44 mm, color: green

RoHS

### Key Commercial Data

Packing unit	1 pc
Minimum order quantity	10 pc
GTIN	 4 017918 051891
GTIN	4017918051891
Weight per Piece (excluding packing)	5.220 g
Custom tariff number	85389099
Country of origin	Poland

### Technical data

#### Dimensions

Width [ w ]	14.5 mm
Height [ h ]	35.6 mm
Pitch	3.81 mm
Dimension a	21.44 mm

#### General

Range of articles	KGG-MC 1,5
Number of positions	5
Insulating material group	I
Insulating material	ABS
Flammability rating according to UL 94	HB

# Cable housing - KGG-MC 1,5/ 5 - 1834372

## Technical data

### Standards and Regulations

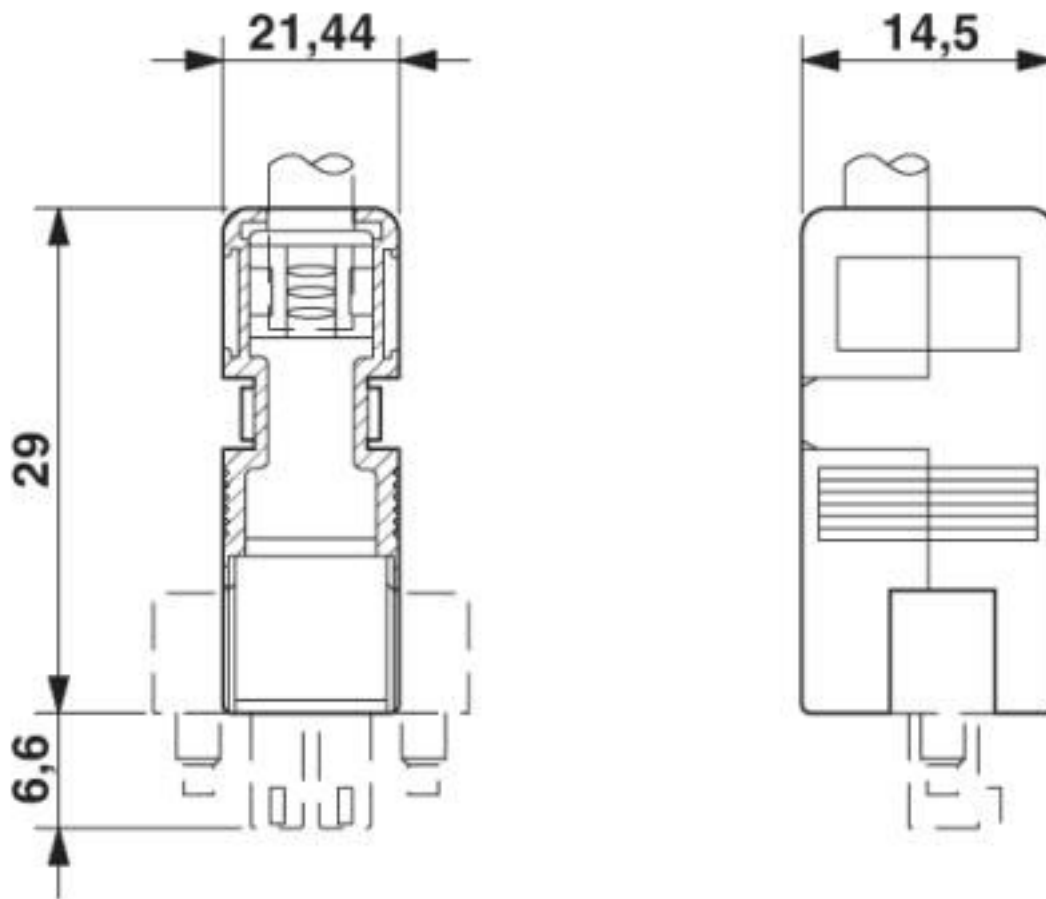
Flammability rating according to UL 94	HB
--	----

### Environmental Product Compliance

China RoHS	Environmentally friendly use period: unlimited = EFUP-e
	No hazardous substances above threshold values

## Drawings

Dimensional drawing



## Classifications

eCl@ss

eCl@ss 10.0.1	27440202
---------------	----------

## Cable housing - KGG-MC 1,5/ 5 - 1834372

### Classifications

#### eCl@ss

eCl@ss 4.0	27260700
eCl@ss 4.1	27260700
eCl@ss 5.0	27260700
eCl@ss 5.1	27261200
eCl@ss 6.0	27261200
eCl@ss 7.0	27440202
eCl@ss 8.0	27440202
eCl@ss 9.0	27440202

#### ETIM

ETIM 3.0	EC001121
ETIM 4.0	EC000879
ETIM 5.0	EC000437
ETIM 6.0	EC000437
ETIM 7.0	EC000437

#### UNSPSC

UNSPSC 6.01	30211810
UNSPSC 7.0901	39121409
UNSPSC 11	39121409
UNSPSC 12.01	39121409
UNSPSC 13.2	31261501
UNSPSC 18.0	31261501
UNSPSC 19.0	31261501
UNSPSC 20.0	31261501
UNSPSC 21.0	31261501

### Approvals

#### Approvals

---

Approvals

EAC

---


Ex Approvals

---

#### Approval details

## Cable housing - KGG-MC 1,5/ 5 - 1834372

### Approvals

EAC		B.01687
-----	---	---------

### Accessories

#### Accessories

#### Sleeve housings

Bend protection sleeve - CUC-DST-ABK-CP6,5 - 1419790



Bend protection sleeve, degree of protection: IP20, color: black

---

### Terminal marking

Marker card - SBS10:UNBEDRUCKT - 1007248



Marker card, Card, white, unlabeled, can be labeled with: Marker pen, perforated, mounting type: snap into tall marker groove, snap into flat marker groove, for terminal block width: 10 mm, lettering field size: 6 x 10.1 mm, Number of individual labels: 250