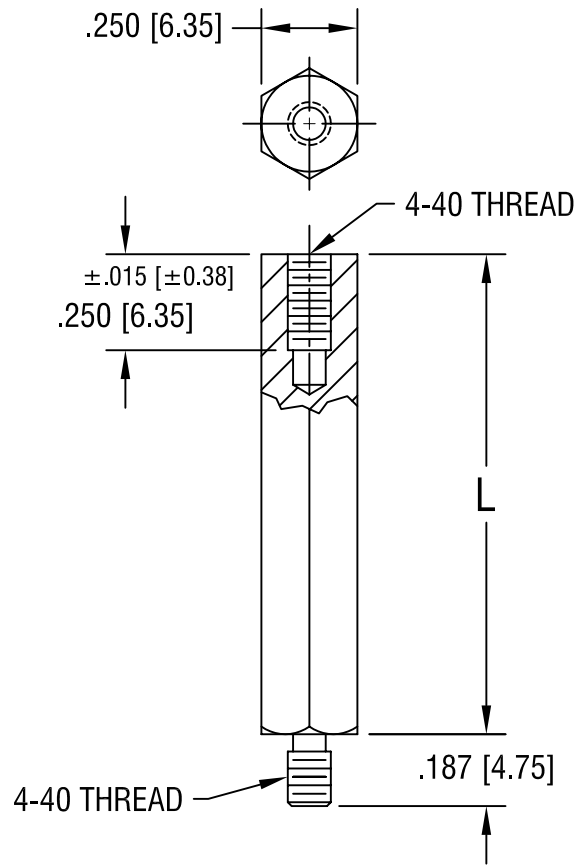


THIS DOCUMENT IS THE PROPERTY OF
KEYSTONE ELECTRONICS CORP. AND
SHALL NOT BE REPRODUCED, DISTRIBUTED
OR USED AS A BASIS FOR MANUFACTURE
WITHOUT PRIOR WRITTEN PERMISSION
FROM KEYSTONE ELECTRONICS CORP.



PART NO.	'L' DIM.
8407	1.250 [31.75]
8408	1.375 [34.93]
8409	1.500 [38.10]
8410	1.625 [41.28]
8411	1.750 [44.45]
8412	2.000 [50.80]

KEYSTONE ELECTRONICS CORP.

ASTORIA, N.Y. 11105-2017

PART NAME

HEX M/F STANDOFF

MATERIAL

ALUMINUM

FINISH

CLEAR IRIDITE

DRN BY

BOONE

DATE

4.26.94

APP'D

LN

SCALE

2X

3.3.97 | CHANGE AS PER ECR 97-019

A

TOLERANCES

INCH [MM]

CODE

DWG NO.

DECIMAL ± .005 [± 0.15]

C/M

ANGULAR ± 1°
UNLESS OTHERWISE SPECIFIED

8407-8412

DATE

DESCRIPTION

REV.