

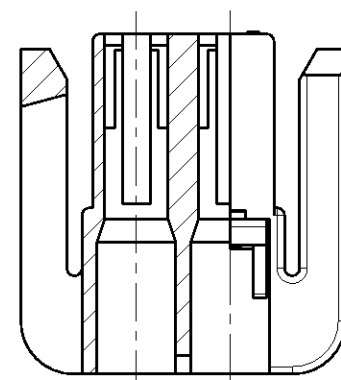
LOC
A1

DIST
-

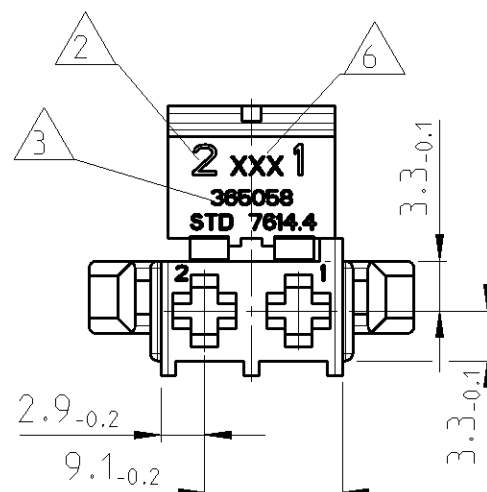
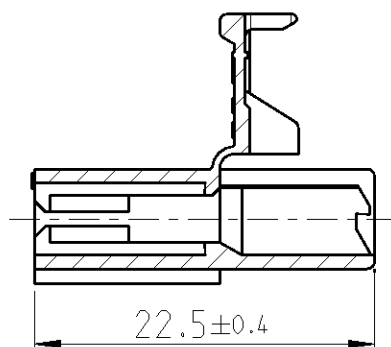
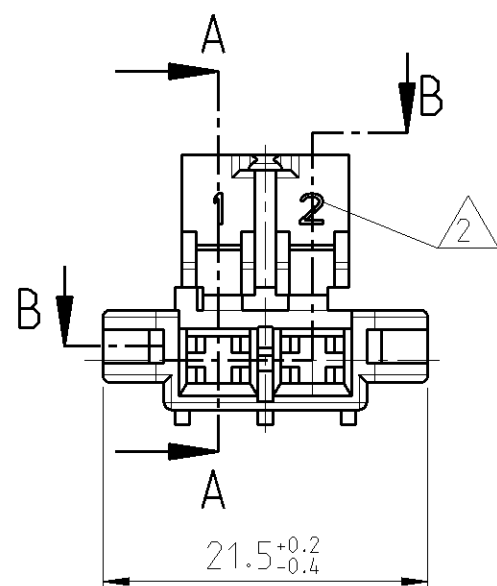
REVISIONS

P	LTR	DESCRIPTION	DATE	DWN	APVD
	D1	TE Logo changed, Note 6 added	30JAN2013	Ho.	Schin.

SECTION B-B
Schnitt



SECTION A-A
Schnitt



1 MATERIAL Y COLORES HAN DE ESTAR LIBRES DE CADMIO
Material und Farbbatch muss cadium frei sein

2 CHARACTER HEIGHT 2
Schrifthoehe 2

3 CHARACTER HEIGHT 1
Schrifthoehe 2

4 FITTING WITH 365057
Passend zu 365057

5 PARTS MUST BE AIR TIGHT PACKAGED, MOISTURE CONTENT MUST BE 2.5±1%
Teile muessen luftdicht verpackt sein, die Feuchte muss 2.5±1% betragen

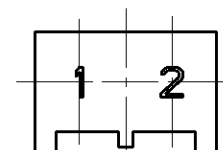
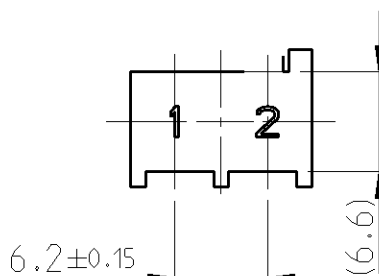
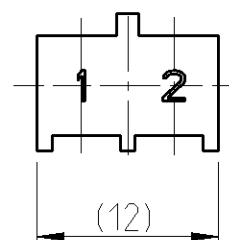
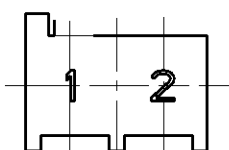
6 LOGO ACC. TO TE SPEC TEC-202-36;
0.15 RAISED
Firmenlogo entsprechend TE Spec TEC-202-36;
0.15 erhaben

CODING 1
Kodierung

CODING 2
Kodierung

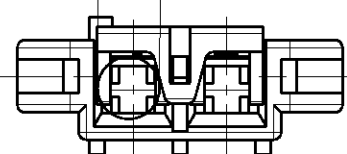
CODING 3
Kodierung

CODING 4
Kodierung



Code No.	PART NO	MATERIAL	COLOUR
CODE 4	365058-4	PA 6.6	YELLOW
CODE 3	365058-3	PA 6.6	BLACK
CODE 2	365058-2	PA 6.6	GREY
CODE 1	365058-1	PA 6.6	NATUR

DIA. 4.2 INSULATION
Isolierung



HOUSING WITH CLOSED FLAP
Gehauese mit geschlossener Lasche

THIS DRAWING IS A CONTROLLED DOCUMENT.

DIMENSIONS:	TOLERANCES UNLESS OTHERWISE SPECIFIED:
mm	
	0 PLC ±
	1 PLC ±
	2 PLC ± ±0.2
	3 PLC ±
	4 PLC ±
	ANGLES ±°
MATERIAL	FINISH -

DWN	R.ULLRICH	15JAN1985
CHK	L.BATLLO	15JUN1993
APVD	J.PASCUAL	15JUN1993
PRODUCT SPEC	-	
APPLICATION SPEC	-	
WEIGHT	-	

TE TE Connectivity			
NAME 2 POS. HOUSING FOR JUNIOR TIMER CONTACT			
SIZE	CAGE CODE	DRAWING NO	RESTRICTED TO
A3	00779	©=365058	-

Customer Drawing SCALE 2:1 SHEET 1 OF 1 REV D1