

# 120x120x38 mm

Low Power Consumption

49~50 CFM



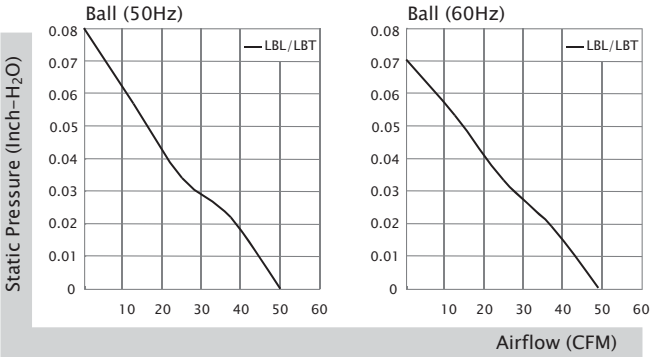
■ Specifications

Model	P/N	Bearing	Rating Voltage	Freq.	Power Current	Power Consumption	Speed	Air Flow	Static Pressure	Noise	Weight
		● VAPO ○ BALL ◎ Sleeve	(VAC)	(Hz)	(AMP)	(WATTS)	(RPM)	(CFM)	(Inch-H <sub>2</sub> O)	(dB(A))	(g)
DP203A	2123LBL.(5).GN	○	220-240	50/60	0.04/0.04	8/8	1650/1600	50/49	0.08/0.07	26/25	550
DP203A	2123LBT.(5).GN	○	220-240	50/60	0.04/0.04	8/8	1650/1600	50/49	0.08/0.07	26/25	550

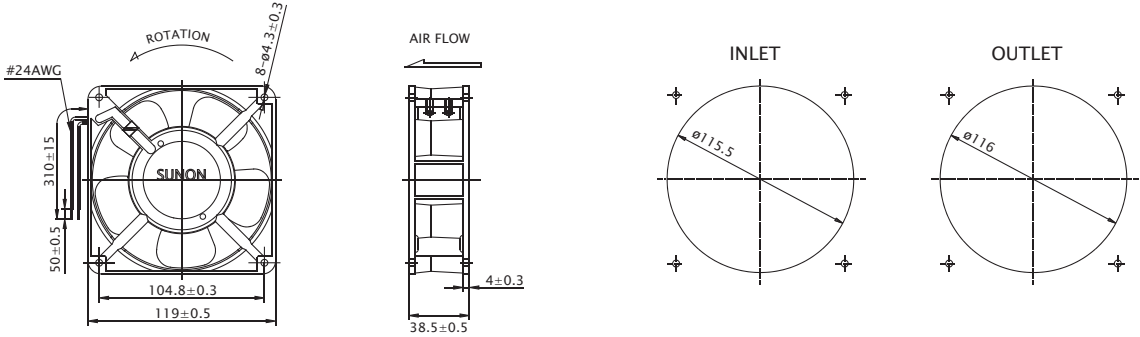
Frame : Aluminum alloy

Safety : TUV/CE/UKCA/CCC

■ Air Flow-Static Pressure Characteristics



■ External Dimensions(mm)



\*All model could be customized. Please contact with SUNON sales.  
 \*Specifications are subject to change without notice. Please visit SUNON website at [www.sunon.com](http://www.sunon.com) for update information.