

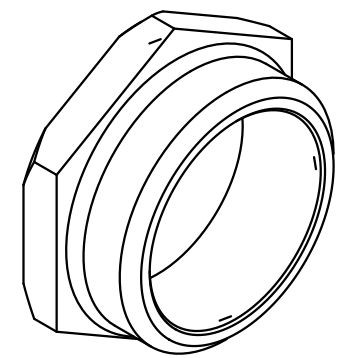
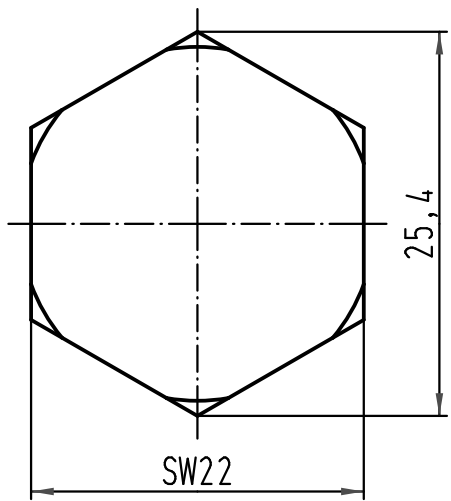
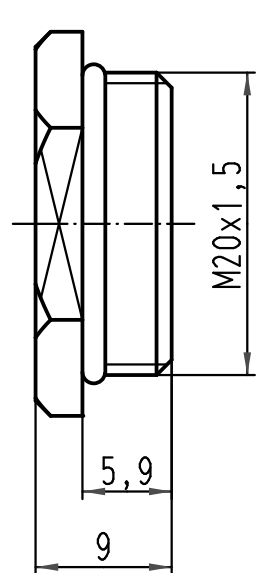
1 2 3 4 5 6

A

B

C

D



| | | | | | | | | |
|---|----------|------|--------------------------------|----------|------|--|--|--|
| All Dimensions in mm Original Size DIN A 4 | | | Techn. Character. | | | Nicht tolerierte Maße/Free size tolerances | | |
| | | | | Dat. | Name | Maßstab/Scale 2:1 | Blindstopfen <i>blanking piece</i> | |
| | | | Detail. | 14.11.03 | DY | | | |
| | | | Insp. | | KR | | | |
| | | | Stand. | | | | | |
| 413957 | 25.06.08 | Bor | HARTING Electric GmbH & Co. KG | | | | TB 19 00 000 5070 | |
| 410765 | | | D-32339 Espelkamp | | | | | |
| Mod. | Dat. | Name | | | | Sub. | Blatt/page | |