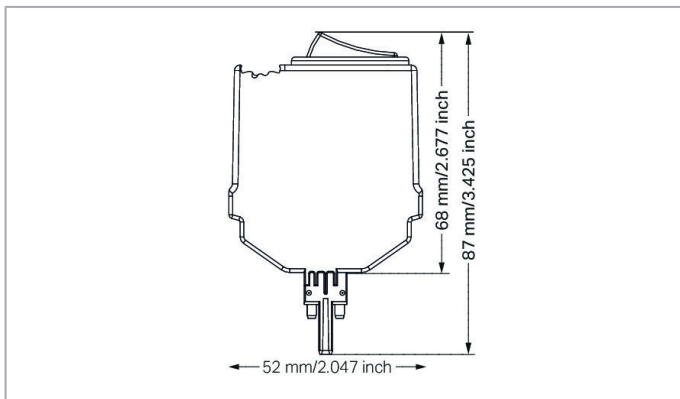
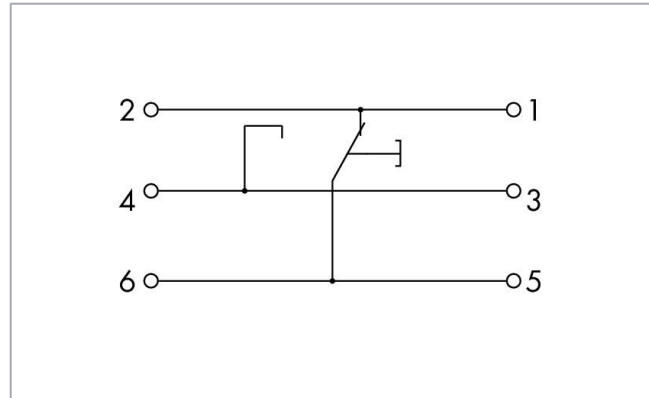
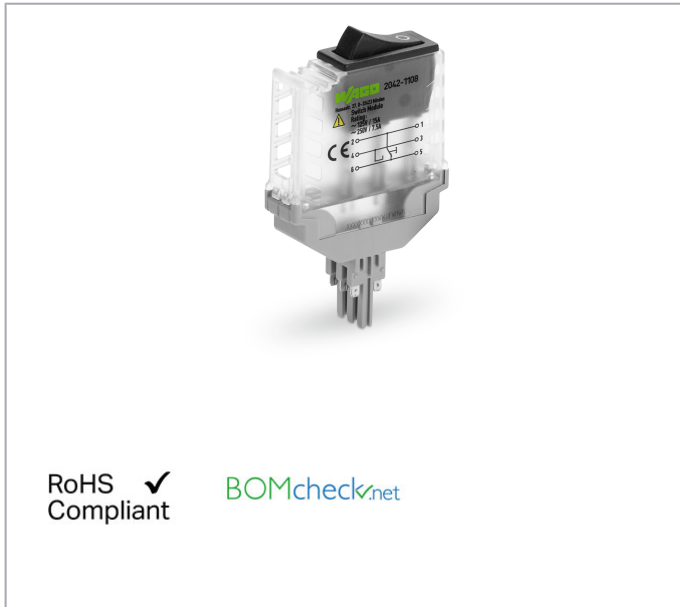


Data sheet | Item number: 2042-1108

Switching module; with momentary switch; Switching voltage: 250 VAC;
translucent



www.wago.com/2042-1108



Data

Electrical data

Switching current (resistive) (max.)	10 A
Inrush current (max.)	128 A
Switching voltage (max.)	AC 250 V
Contact resistance	$\leq 20 \text{ m}\Omega$
Insulation resistance	$\geq 100 \text{ M}\Omega$ (500 VDC; New condition)
Electrical life (NO; resistive load; 23 °C)	

Subject to changes. Please also observe the further product documentation!

WAGO Kontakttechnik GmbH & Co. KG
Hansastr. 27
32423 Minden
Phone: +49571 887-0 | Fax: +49571 887-169
Email: info.de@wago.com | Web: www.wago.com

Do you have any questions about our products?
We are always happy to take your call at +49 (571) 887-44222.



10 x 10³ switching operations; UL: 6 x 10³ switching operations

Safety and protection

Rated voltage	250 V
Pollution degree	2
Overvoltage category	II
Dielectric strength, open contact (AC, 1 min)	1.5 kV _{rms}
Protection type	IP20

Physical data

Width	15.5 mm / 0.61 inch
Height	87 mm / 3.425 inch
Height from the surface	68 mm / 2.677 inch
Depth	52 mm / 2.047 inch

Mechanical data

Mounting type	Pluggable module for TOPJOB® S Carrier Terminal Block
---------------	-------------------------------------------------------

Material data

Color	translucent
Flammability class per UL94	V0
Fire load	0.358 MJ
Weight	29.3 g

Environmental requirements

Surrounding air temperature (operation at U _N)	-25 ... 70 °C
Surrounding air temperature (storage)	-40 ... 85 °C
Operating altitude (max.)	2000 m

Standards and specifications

Standards/Specifications	EN 61010-2-201; EN 50155; EN 61373
--------------------------	------------------------------------

Commercial data


Packaging type	bag
----------------	-----

Subject to changes. Please also observe the further product documentation!

Country of origin	DE
GTIN	4055143883818
Customs tariff number	85365080900

Approvals / Certificates

UL-Approvals

Logo	Approval	Additional Approval Text	Certificate name
	UL Underwriters Laboratories Inc. (ORDINARY LOCATIONS)	UL 61010-1	E175199

Downloads

Documentation

Bid Text

2042-1108 docx - Datei	9. 1. 2019	docx 15.2 kB	Download
2042-1108 X81 - Datei	19. 2. 2019	xml 3.8 kB	Download

Additional Information

Disposal; Electrical and electronic equipment, Packaging	V 1.0.0	pdf 265.8 kB	Download
----------------------------------------------------------	---------	-----------------	----------

Environmental Product Compliance

Compliance Search

Environmental Product Compliance 2042-1108 Switching module; with momentary switch; Switching voltage: 250 VAC; translucent	URL	Download
--------------------------------------------------------------------------------------------------------------------------------	-----	----------

Installation Notes

Subject to changes. Please also observe the further product documentation!