



SUPER Series Panel PC

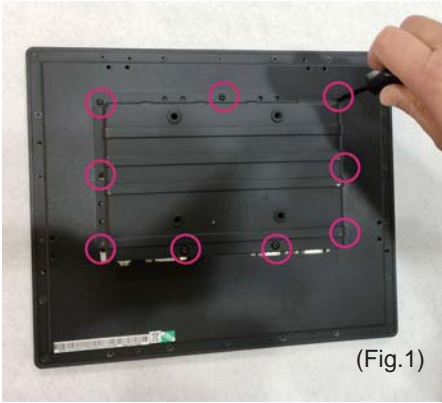
Assembly Guide

Contents

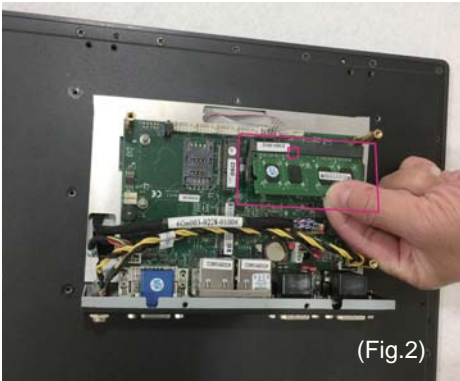
- 1-1 Installing for SO-DIMM 1
- 1-2 Installing for Mini PCI-e Card 2
- 1-3 Installing for SATA HDD Version 3
- Super Series (2L) Panel PC Exploded Drawing 5
- Super Series (3L) Panel PC Exploded Drawing 6



1-1 Installing for SO-DIMM



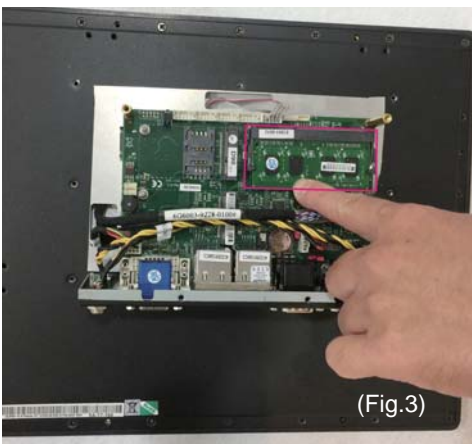
1. Remove 9 pcs M3*6 round head screws from the top cover & open the cover. (Fig.1)



2. Insert the memory into the SODIMM at a 45 degree angle. (Fig.2)

Notices:

The connectors are designed to ensure the correct insertion. If you feel resistance, check the connectors & golden finger direction, and realign the card.

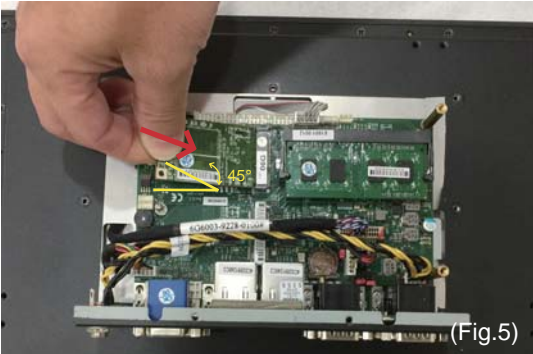


3. Press down the memory to secure the memory within SODIMM. (Fig.3)

1-2 Installing for Mini PCI-e Card



4. Remove the secured screws of Mini PCIe socket . (Fig.4)

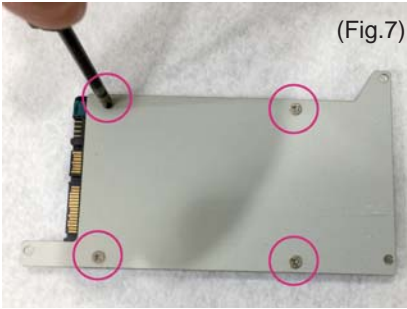


5. Insert the Mini PCIe card into the socket at a 45 degree angle. (Fig.5)

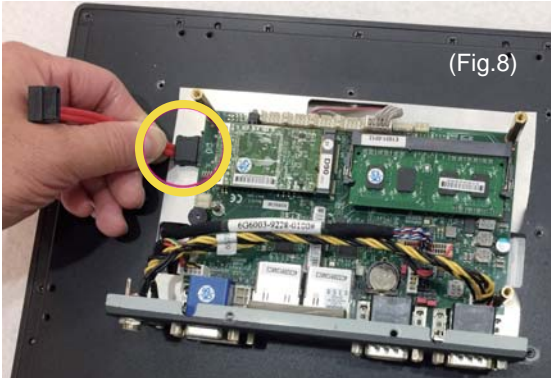


6. Press down the Mini PCIe card and secure the card with screws. (Fig.6)

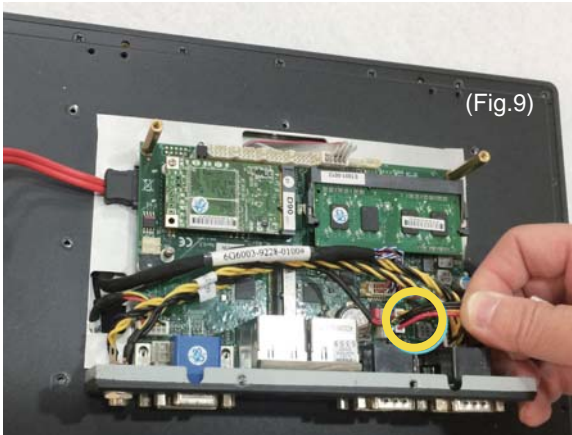
1-3 Installing for SATA HDD Version



7. Attach the HDD to the HDD KIT via 4PCS M3*4 flat head screw (Fig.7)



8. Connect the SATA DATA Cable with motherboard. (Fig.8)



9. Connect the SATA Power Cable with motherboard. (Fig.9)



(Fig.10)

10. Secure the HDD KIT to the system via 3 pcs M3*4 flat screws. (Fig.10)



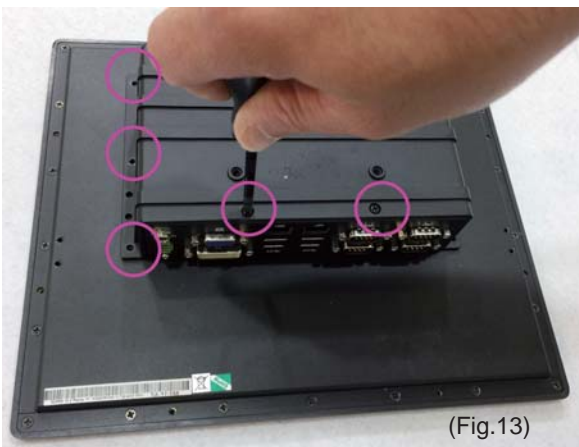
(Fig.11)

11. Connect the SATA DATA Cable with HDD. (Fig.11)



(Fig.12)

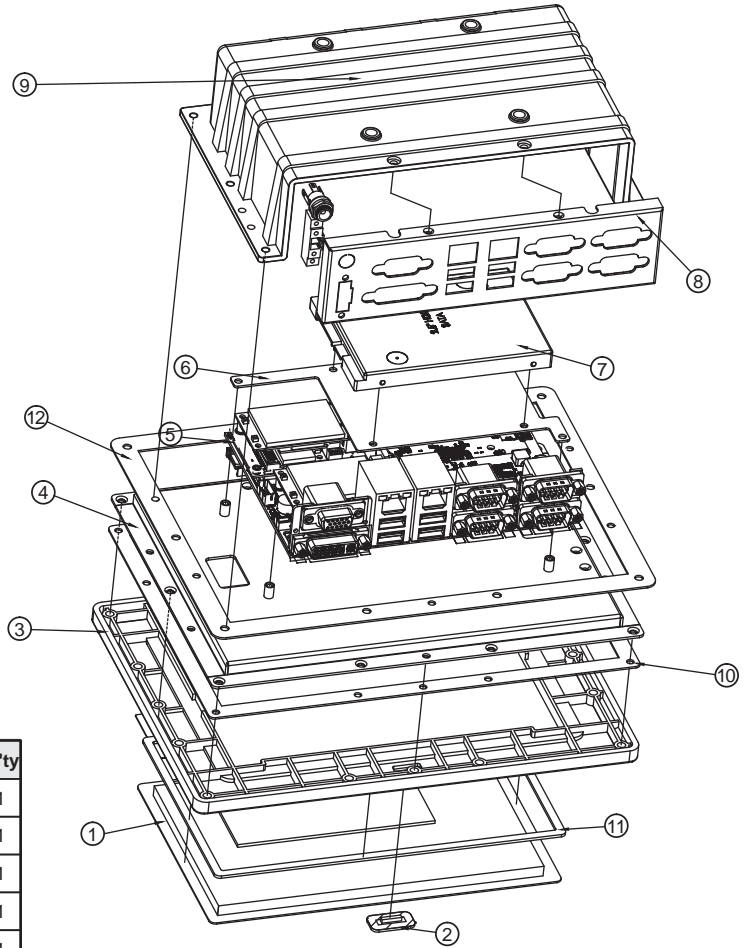
12. Connect the SATA Power Cable with HDD. (Fig.12)



(Fig.13)

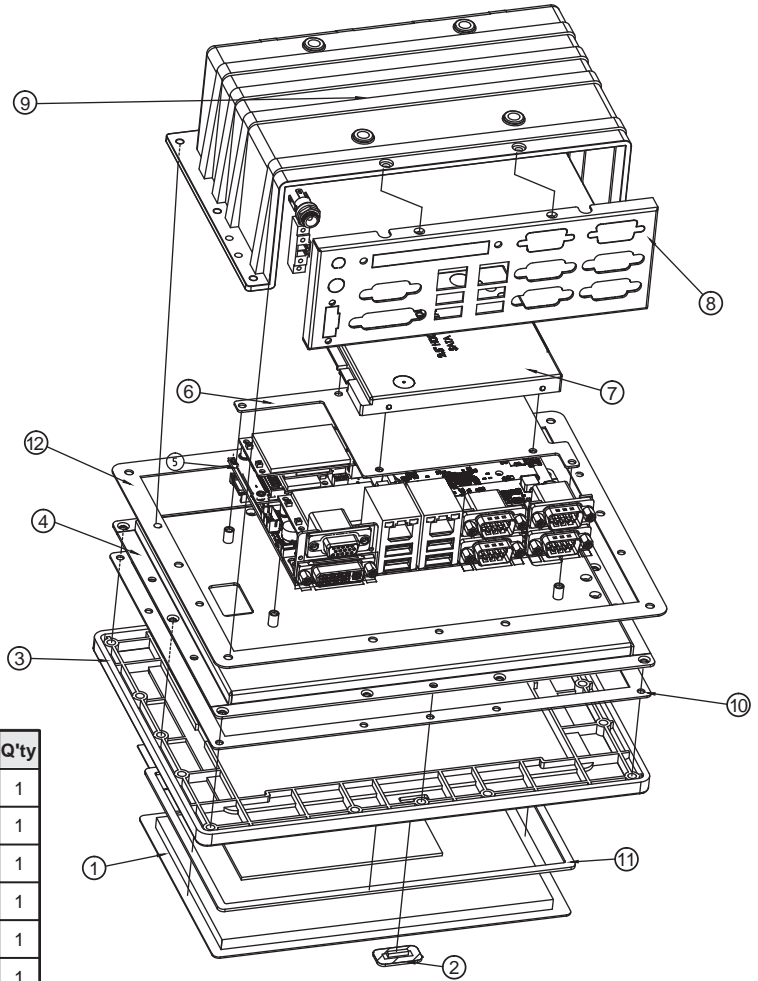
13. Put the cover back & screws it via 9 pcs round head M3*6 screw. (Fig.13)

Super Series (2L) Panel PC Exploded Drawing



No	Name	Q'ty
1	Touch	1
2	Keypad	1
3	Front Cover	1
4	Middle Frame	1
5	Main Board	1
6	HDD Bracket	1
7	HDD	1
8	10 Panel	1
9	Back Cover	1
10	Middle Sponge	1
11	Touch Tape	1
12	WP Sponge	1

Super Series (3L) Panel PC Exploded Drawing



No	Name	Q'ty
1	Touch	1
2	Keypad	1
3	Front Cover	1
4	Middle Frame	1
5	Main Board	1
6	HDD Bracket	1
7	HDD	1
8	10 Panel	1
9	Back Cover	1
10	Middle Sponge	1
11	Touch Tape	1
12	WP Sponge	1