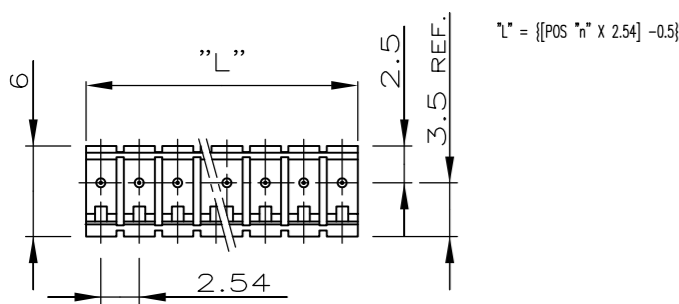


THIS DRAWING IS UNPUBLISHED. RELEASED FOR PUBLICATION  
 © COPYRIGHT - By - ALL RIGHTS RESERVED.

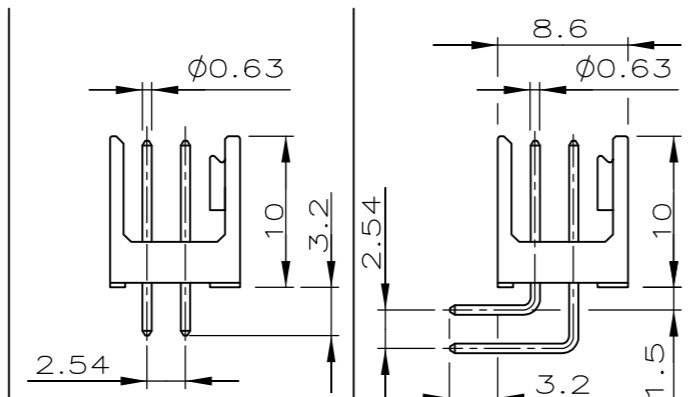
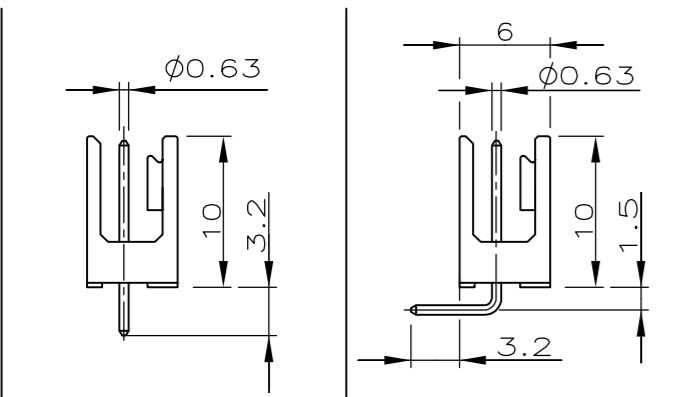
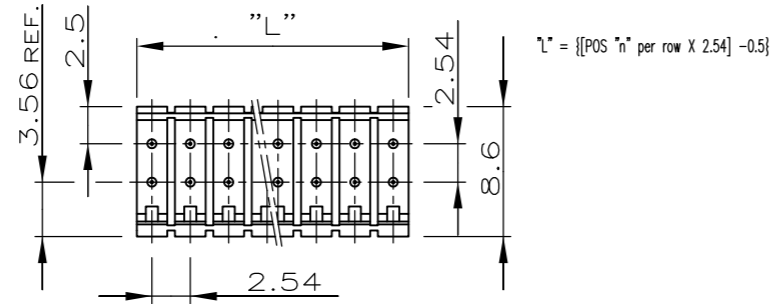
# MODU II SHROUDED POSTS

## MODU II Stiftleiste

SINGLE ROW 3 TO 50 POS.  
Einreihig 3 bis 50 pol.



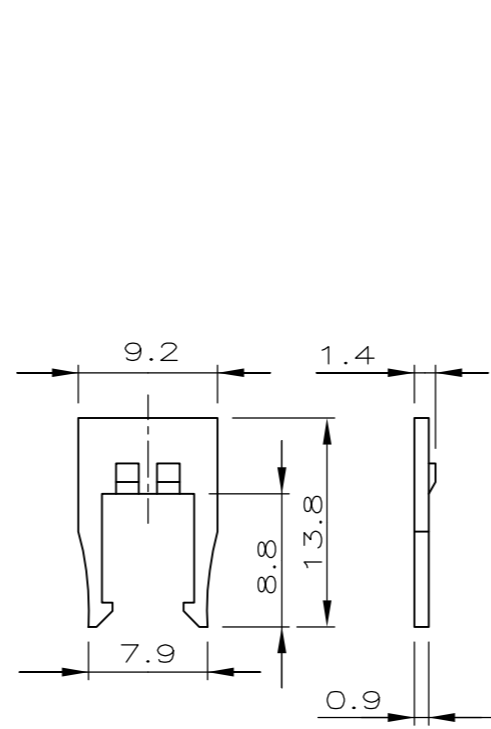
DOUBLE ROW 2x3 TO 2x50 POS.  
Zweireihig 2x3 bis 2x50 pol.



POS.	PART NUMBERS	PART NUMBERS	POS.	PART NUMBERS	PART NUMBERS
3 (2) TO 50	△ 826 467-3 BIS	△ 826 468-3 BIS	2x3 TO 2x50	△ 826 469-3 BIS	△ 826 470-2 BIS
	5-826 467-0 △	5-826 468-0		5-826 469-0	5-826 470-0
	△ 827 295-2 BIS	△ 827 296-3 BIS		△ 827 297-3 BIS	△ 827 298-3 BIS
	5-827 295-0 △	5-827 296-0 △		5-827 297-0 △	5-827 298-0 △

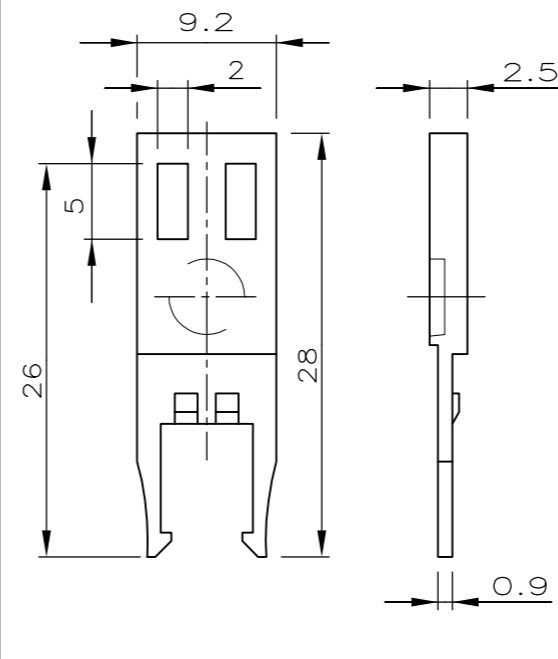
## RETENTION PLUG

Rastgabel



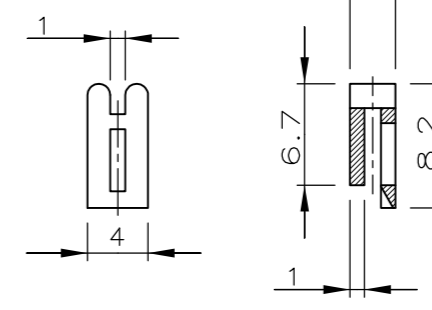
## RETENTION PLUG WITH STRAIN RELIEF

Rastgabel mit Zugentlastung



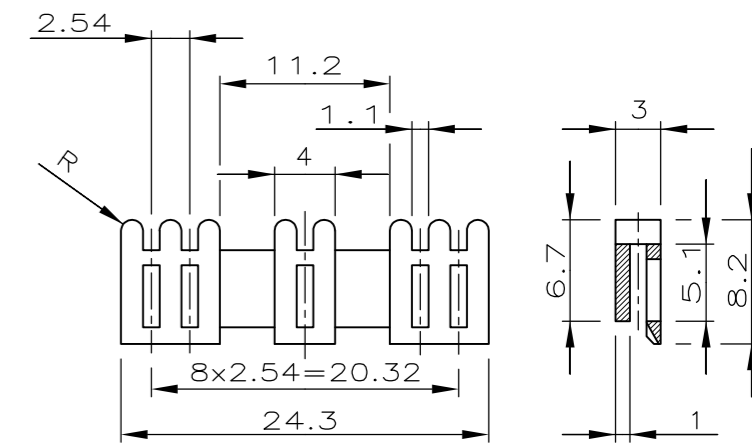
## KEYING PLUG

Kodierstift



## KEYING BLOCK

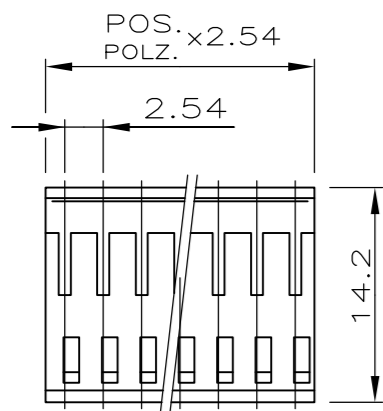
Kodierblock



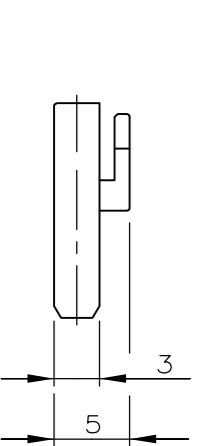
PART NUMBERS	COLOUR	PART NUMBERS	COLOUR	PART NUMBERS	COLOUR	PART NUMBERS	COLOUR
926 477-1	BLACK	926 478-1	BLACK	926 498-1	BLACK	927 607-1 △	BLACK
926 477-2	GREEN	926 478-2 △	GREEN	926 498-2	GREEN	927 607-2 △	GREEN
926 477-3	RED	926 478-3	RED	926 498-3	RED	927 607-3 △	RED

## MODU IV RECEPTACLE HOUSING

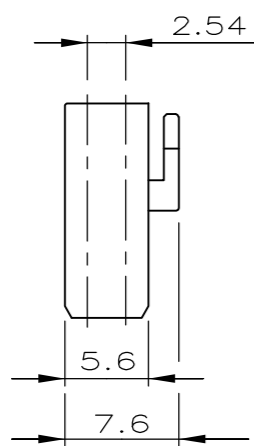
MODU IV Buchsengehäuse



SINGLE ROW 2 TO 36 POS.  
Einreihig 2 bis 36 polig.

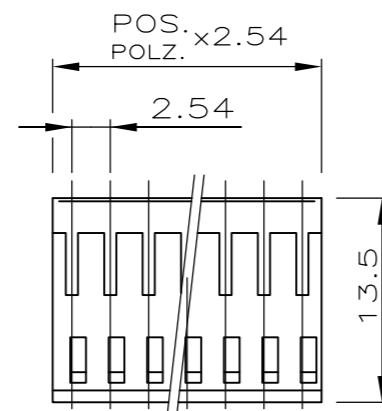


DOUBLE ROW 2x2 TO 2x36 POS.  
Zweireihig 2x2 bis 2x36 polig

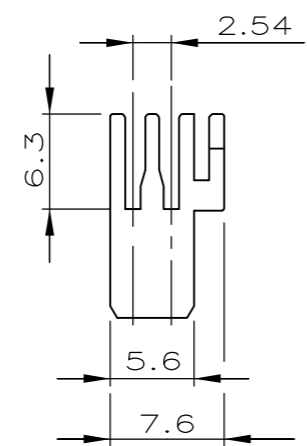


## FFC HOUSING

FFC Gehäuse



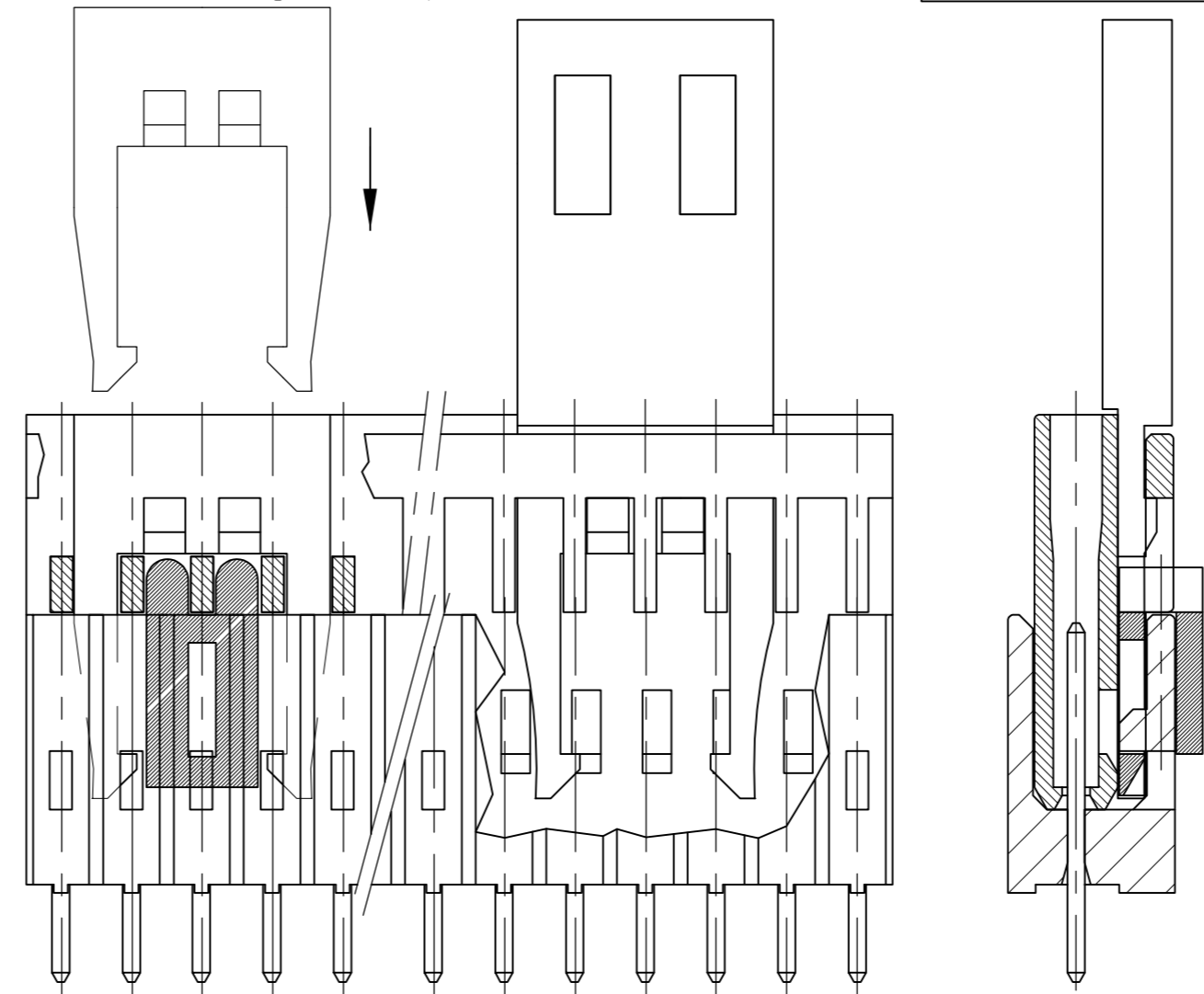
DOUBLE ROW 2x3 TO 2x13 POS.  
Zweireihig 2x3 bis 2x13 polig



POS.	PART NUMBERS	POS.	PART NUMBERS	POS.	PART NUMBERS
2 TO 36	926 475-2 3-926 475-6	2x2 TO 2x36	926 476-2 3-926 476-6	2x3 TO 2x13	927 009-3 △ 1-927 009-3 △

## ASSEMBLED COMPONENTS (FOR EXAMPLE)

Anwendungsbeispiel



△ CONTACT PIN/Kontaktstift: CuZn  
 PLATING MATING AREA:  
 MIN. 0.7µm PdNi + 0.1µm GOLD FLASH OVER  
 1.27µm Ni  
 SOLDER SIDE: MIN 3.0µm Sn OVER 1.27µm Ni

△ CONTACT PIN/Kontaktstift: CuSn  
 PRE TIN PLATED MIN. 2.0µm Sn OVER 1.27µm Ni (PIN TIPS BLANK)  
 Vorverzinnt min. 2.0µm Sn über 1.27µm Ni (Stiftspitzen blank)

MATERIAL:  
 PIN HEADER  
 Stiftgehäuse PCT-GV BLACK/schwarz

RECEPTACLE HOUSING PBT-GV BLACK/schwarz  
 Buchsengehäuse

RETENTION PLUGS PC-GV  
 Rastgabeln

KEYING PLUG AND BLOCK PA 6.6 GV  
 Kodierstift, -block

FFC HOUSING PBT-GV BLACK/schwarz  
 FFC Gehäuse

△ OBSOLETE PARTS

△ OBSOLETE PARTS: OBSOLETE CIS STREAMLINING PER D.RENAUD/D.SINISI

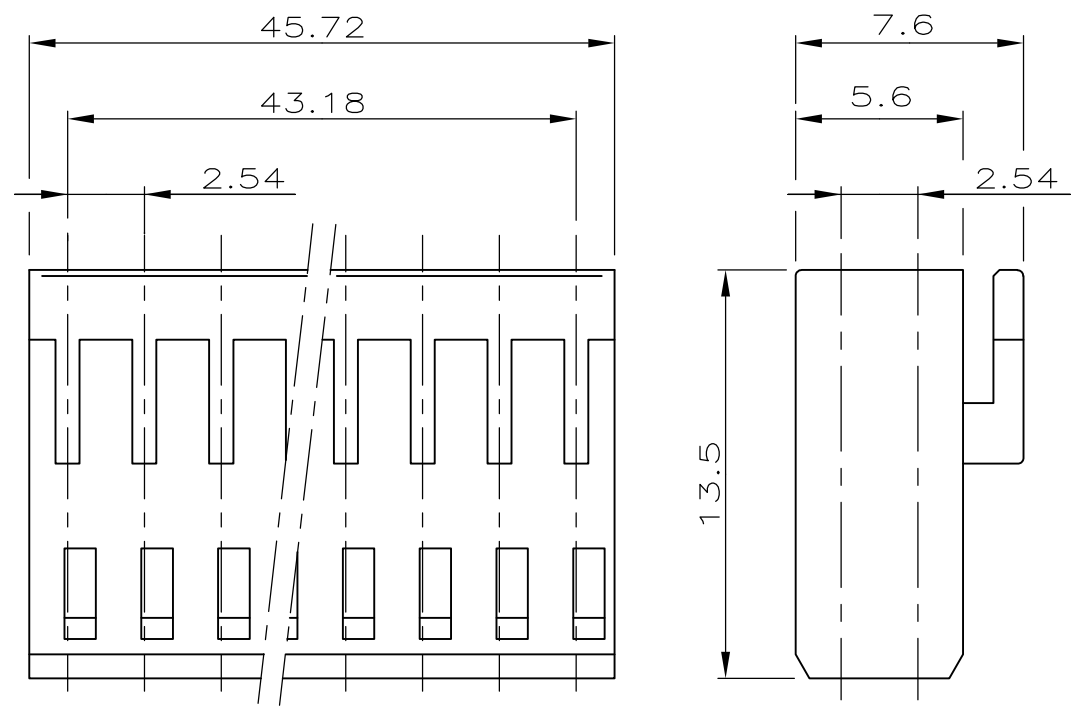
THIS DRAWING IS A CONTROLLED DOCUMENT.

DWN	08.03.85	<b>STE</b> TE Connectivity	
CHK	02.05.85		
M.SCHAARSCHMIDT		NAME	
APVD		AMPMODU II / AMPMODU IV	
PRODUCT SPEC		SIZE	
APPLICATION SPEC		CAGE CODE	
WEIGHT		DRAWING NO	
MATERIAL		RESTRICTED TO	
FINISH		SCALE	
CUSTOMER DRAWING		SHEET	

1471-9 (3/11)

THIS DRAWING IS UNPUBLISHED. RELEASED FOR PUBLICATION  
 © COPYRIGHT - By - ALL RIGHTS RESERVED.

LOC	DIST	REVISIONS			
P	LTR	DESCRIPTION	DATE	DWN	APVD
		SEE SHEET 1	-	-	-


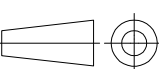


PN 6-926476-8  
 2x18 POS. AMPMODU IV RECEPTACLE HOUSING  
 2x18 POL. AMPMODU IV BUCHSENGEHÄUSE

PACKAGING  
 Verpackung

PART NUMBER 5-826467-3 INCLUDING 75 PCS. OF PN 826467-3  
 PACKED IN PLASTIC BOX (78mm x 78mm x 45mm)  
 FOR TE-HARRISBURG ONLY

Bestell- Nummer 5-826467-3 enthält 75 Stk. PN 826467-3  
 verpackt in Kunststoffschachtel (78mm x 78mm x 45mm)  
 nur für TE-Harrisburg

THIS DRAWING IS A CONTROLLED DOCUMENT.		DWN M.SCHAARSCHMIDT 27.09.85	 TE Connectivity			
DIMENSIONS: mm		CHK W.MORITZ 30.09.85				NAME AMPMODU II/AMPMODU IV
		APVD -	PRODUCT SPEC -			
TOLERANCES UNLESS OTHERWISE SPECIFIED: ±0.2mm 0 PLC ± - 1 PLC ± - 2 PLC ± - 3 PLC ± - 4 PLC ± - ANGLES ± -		APPLICATION SPEC -	SIZE A3	CAGE CODE 00779	DRAWING NO C-826467	RESTRICTED TO -
MATERIAL -		FINISH -	WEIGHT -	CUSTOMER DRAWING		
			SCALE 4:1	SHEET 2 OF 2	REV Y	