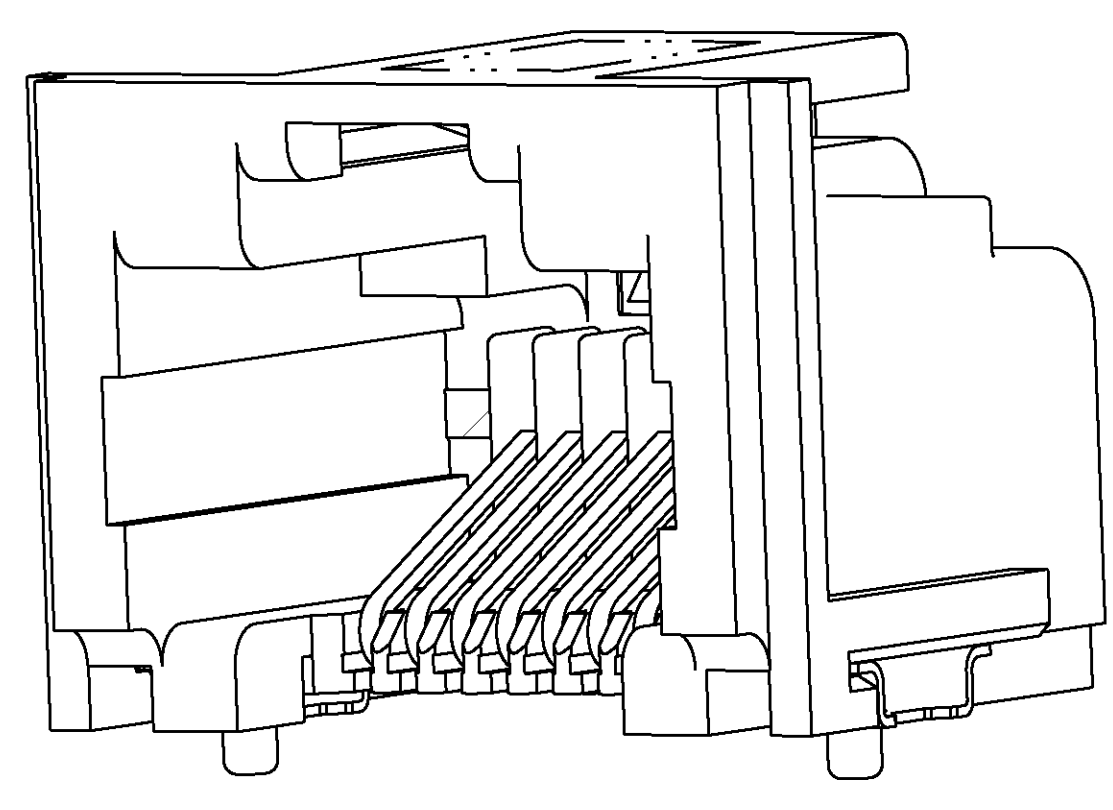
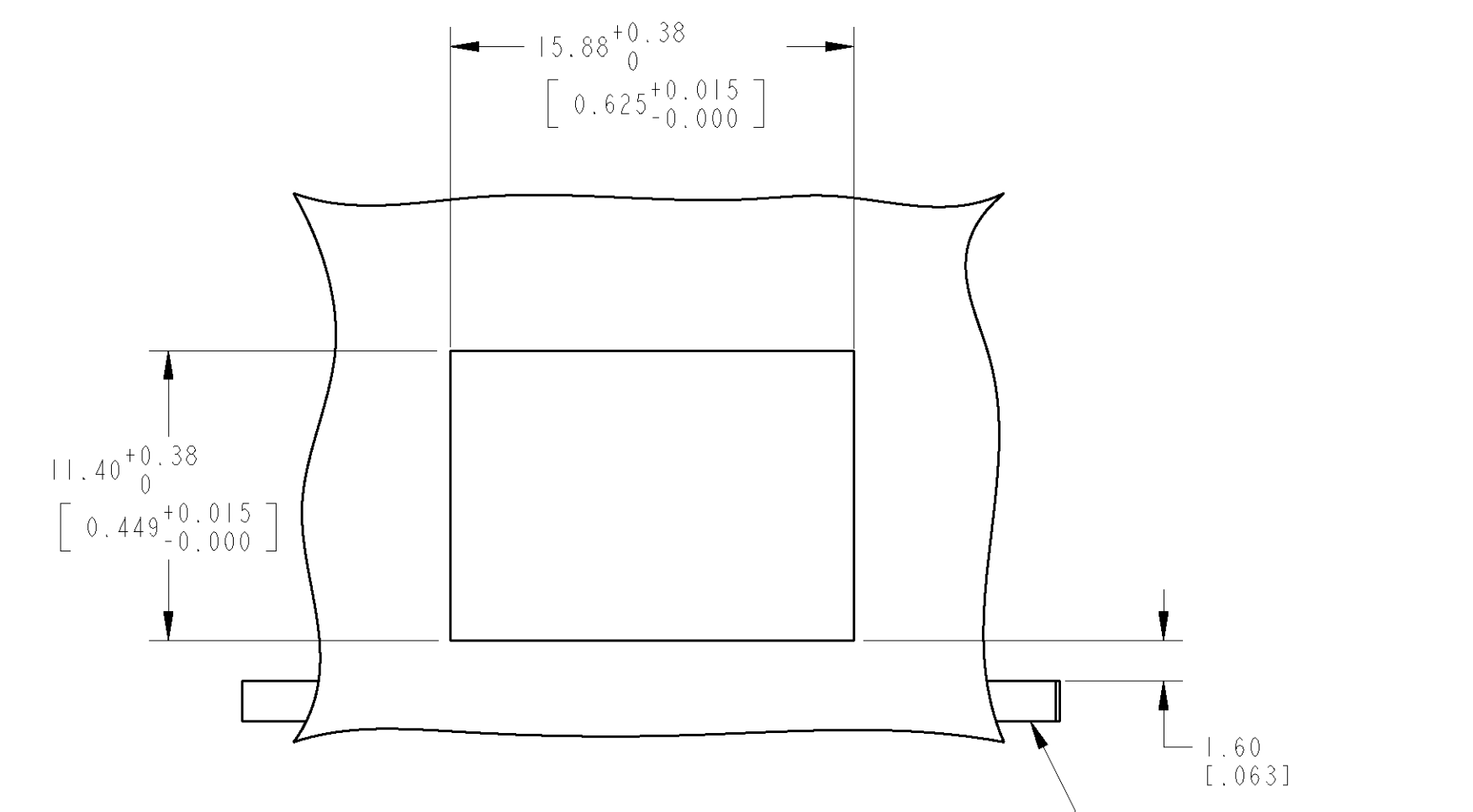
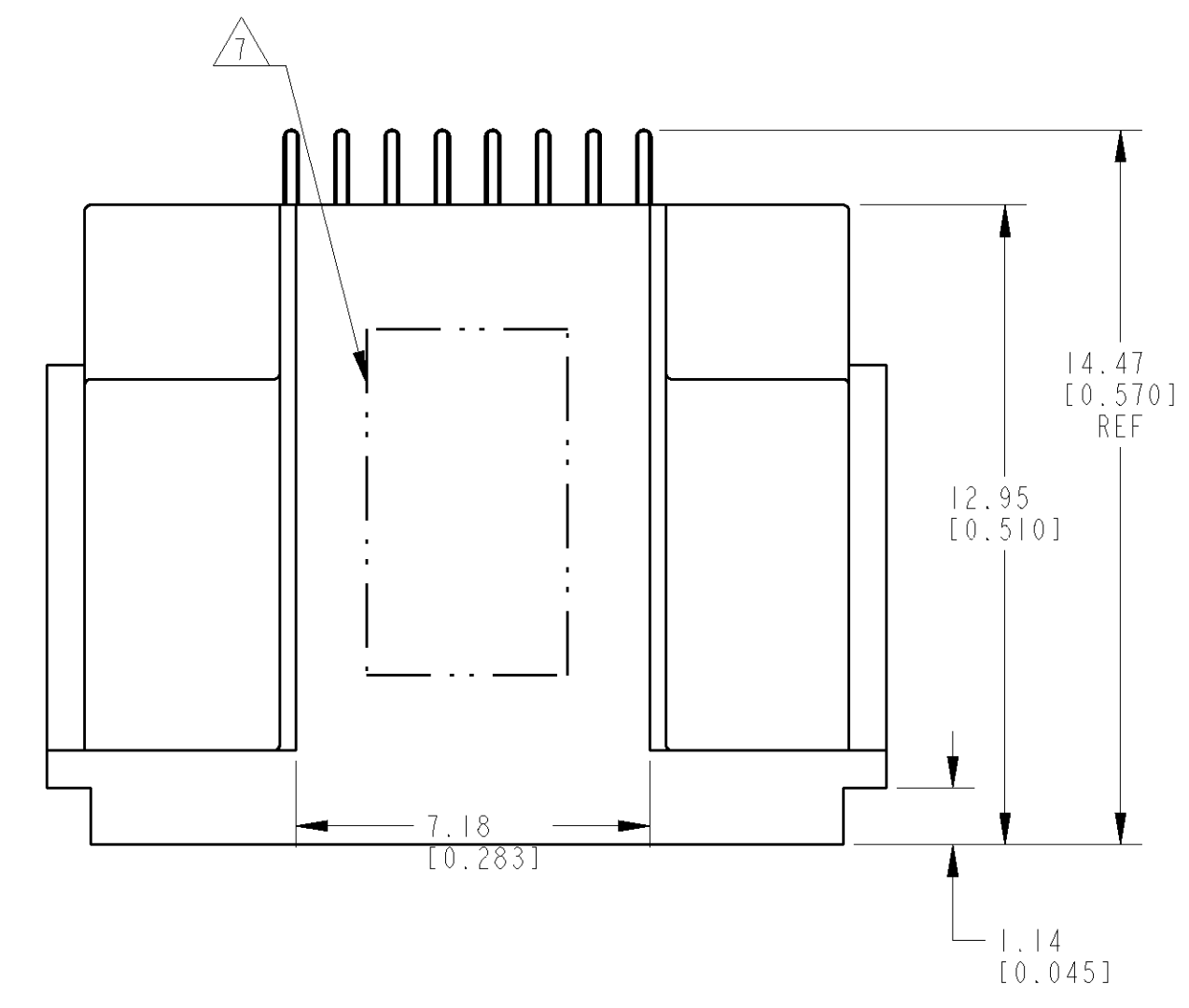
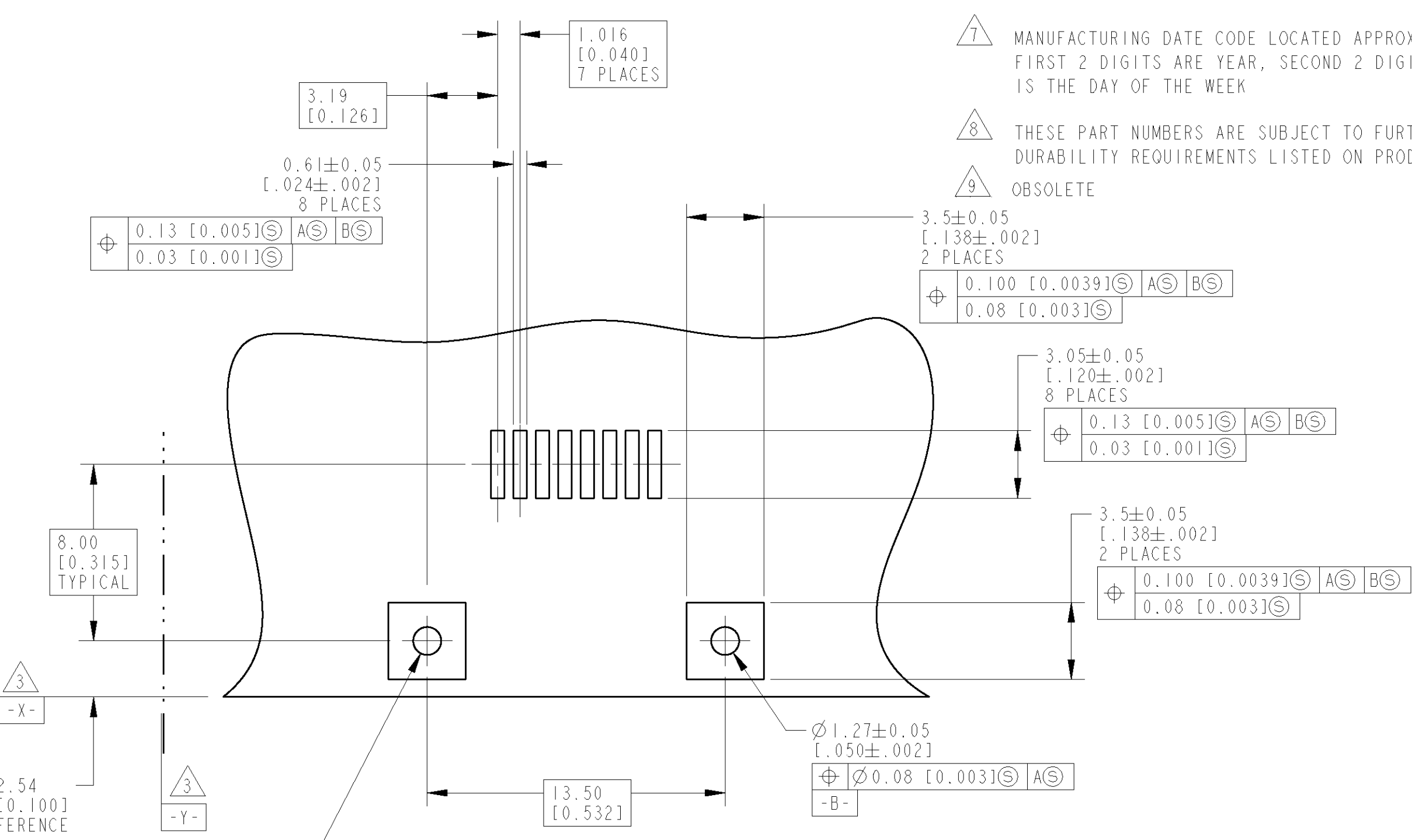
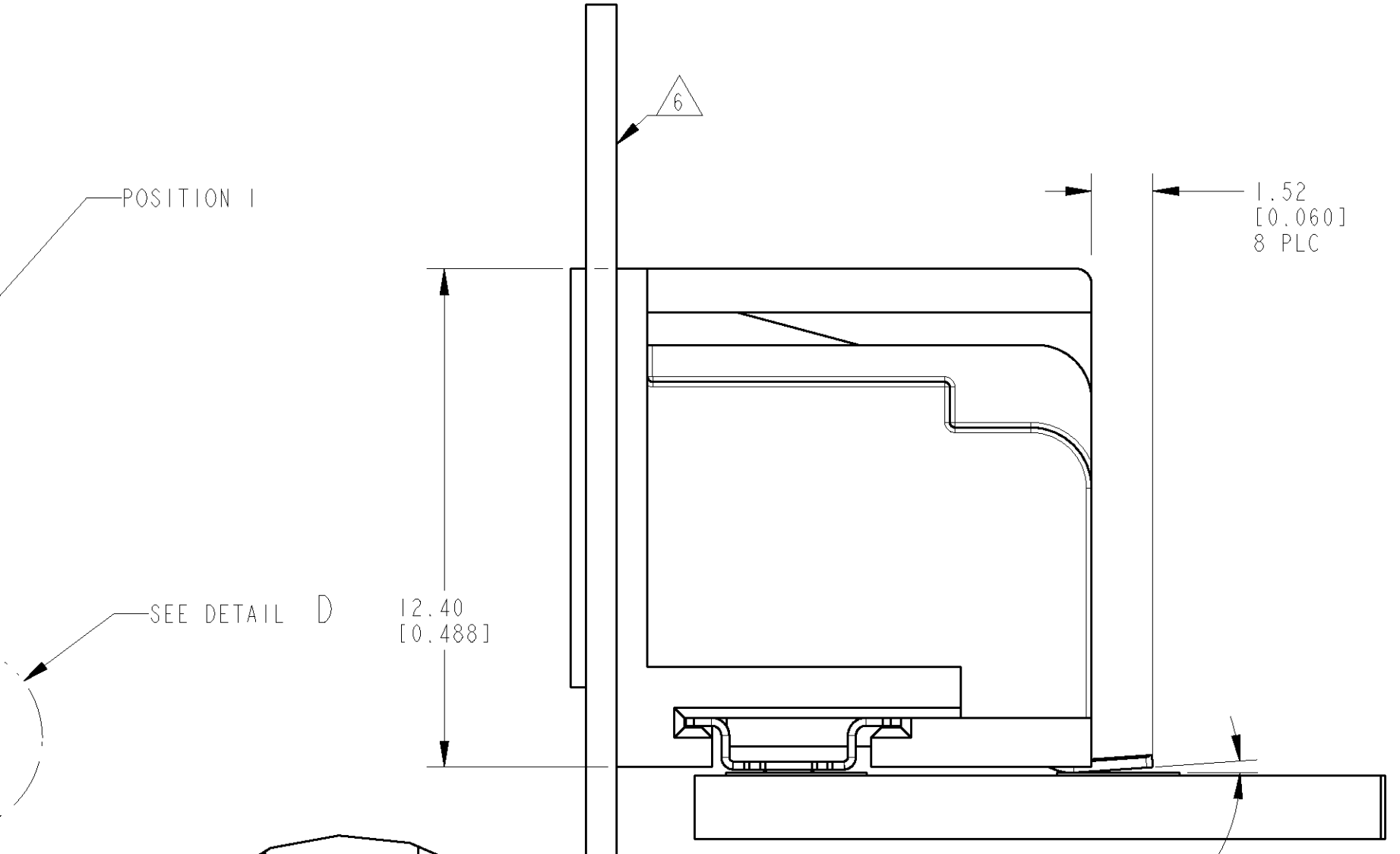
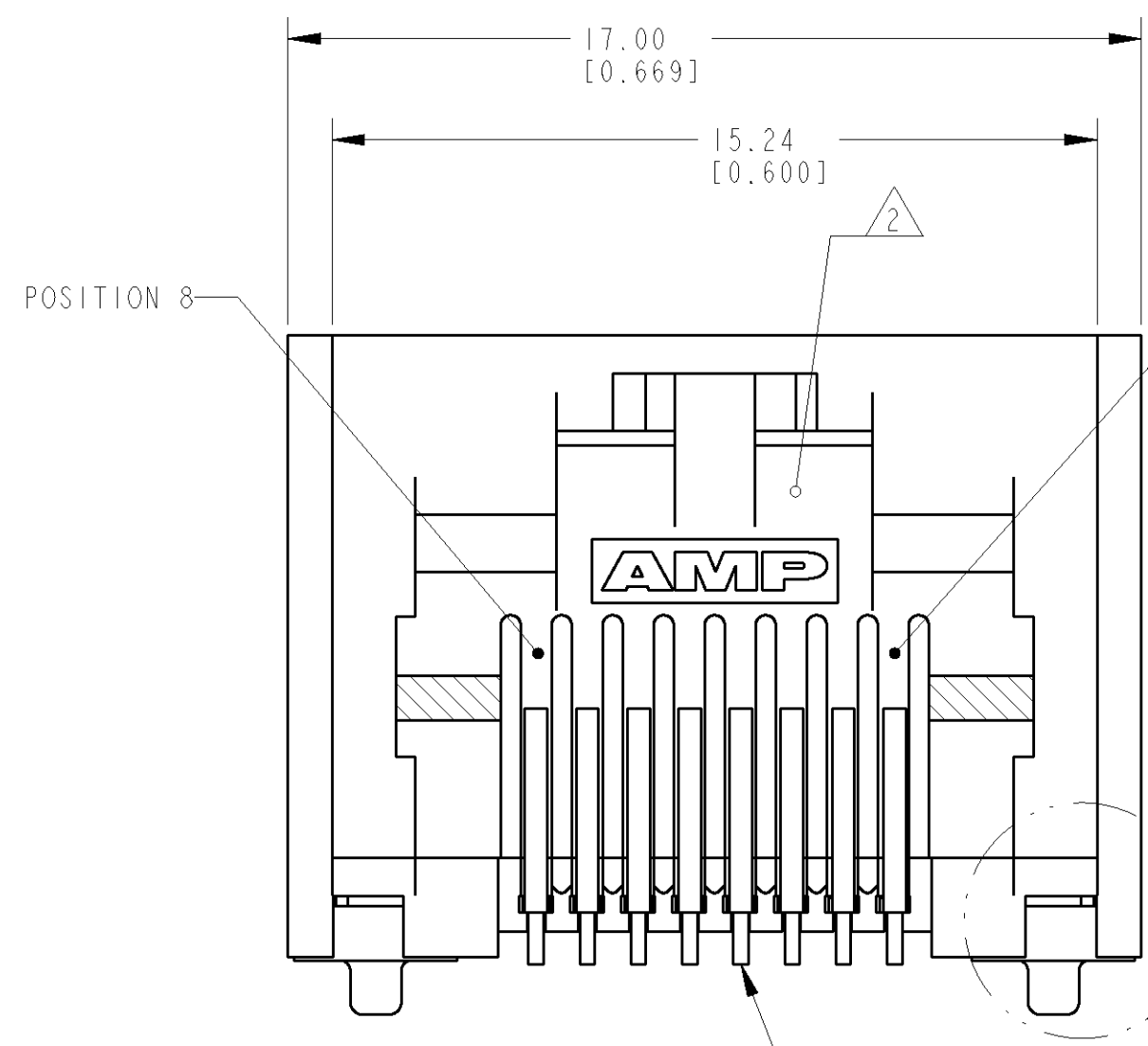


LOC	REV	DATE	BY	CHK	APPD	DESCRIPTION
1	1					
E		07DEC2010	PS	PKS		The width is increased from 18.74mm to 17.0mm
E1		08AUG11	WK	HMR		ECR-10-026537

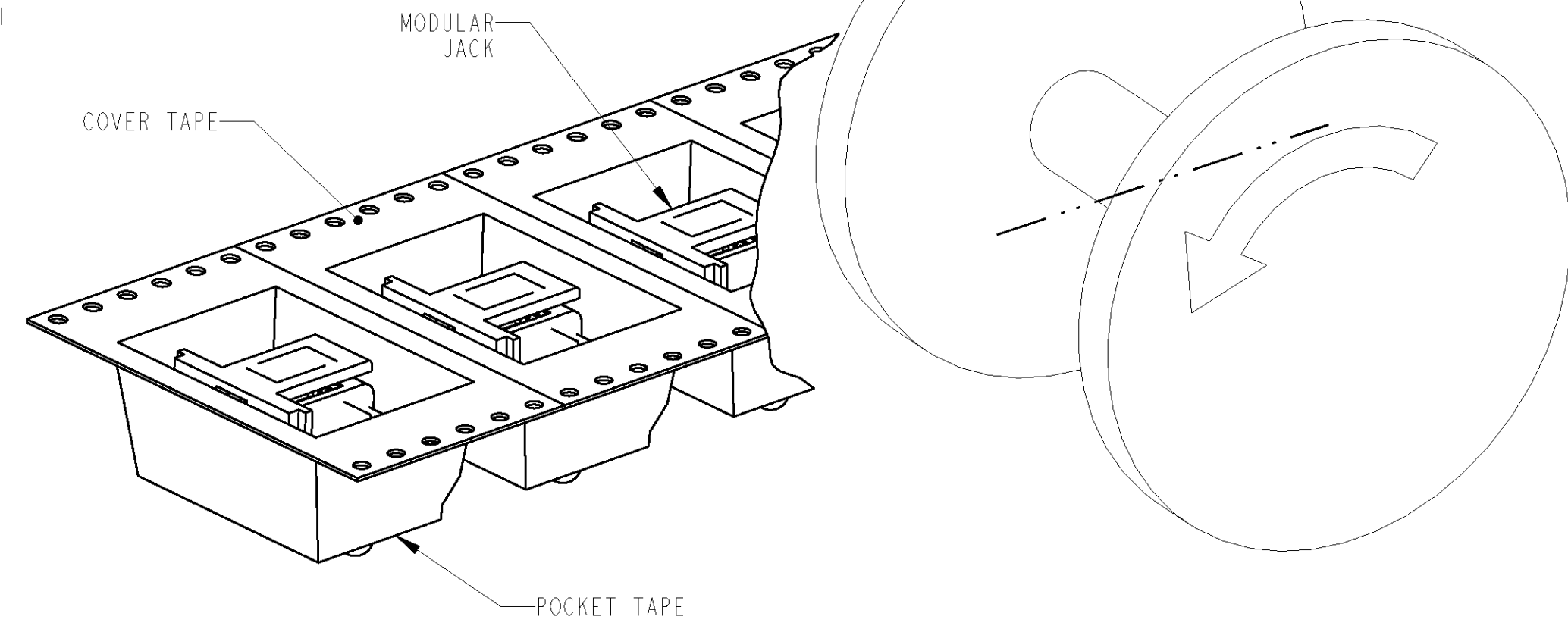
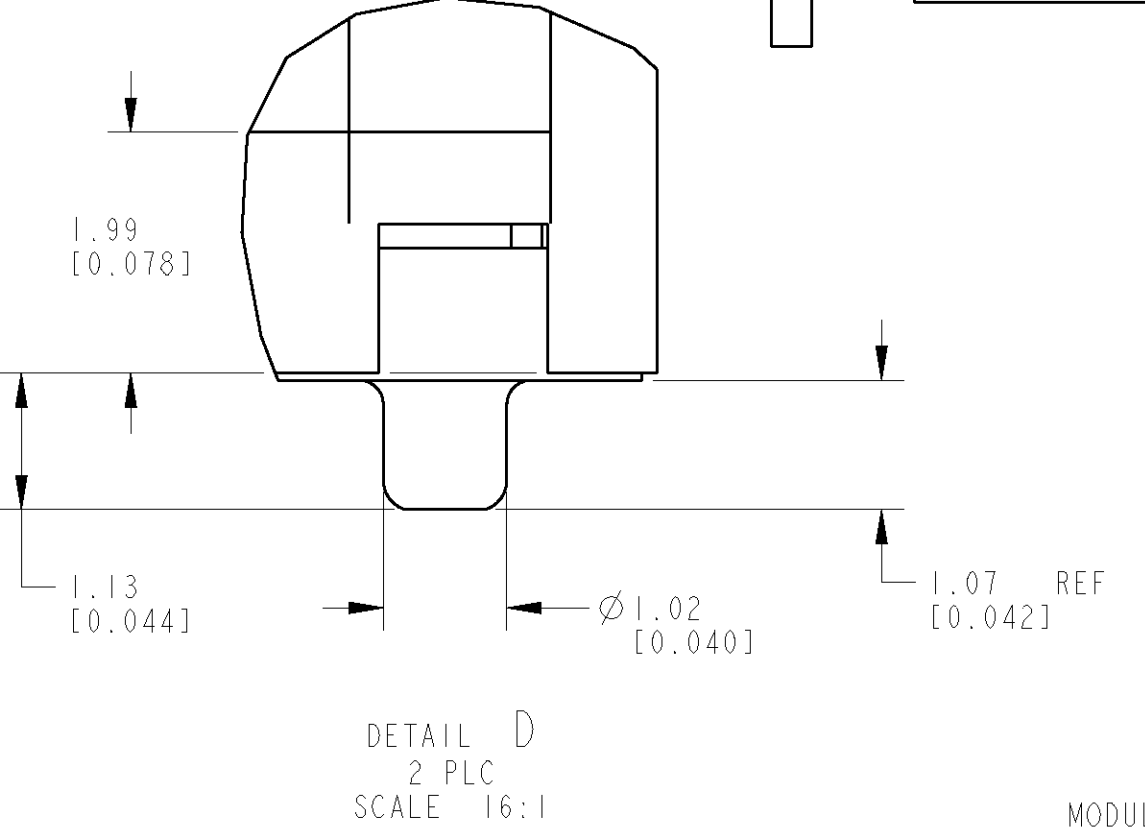
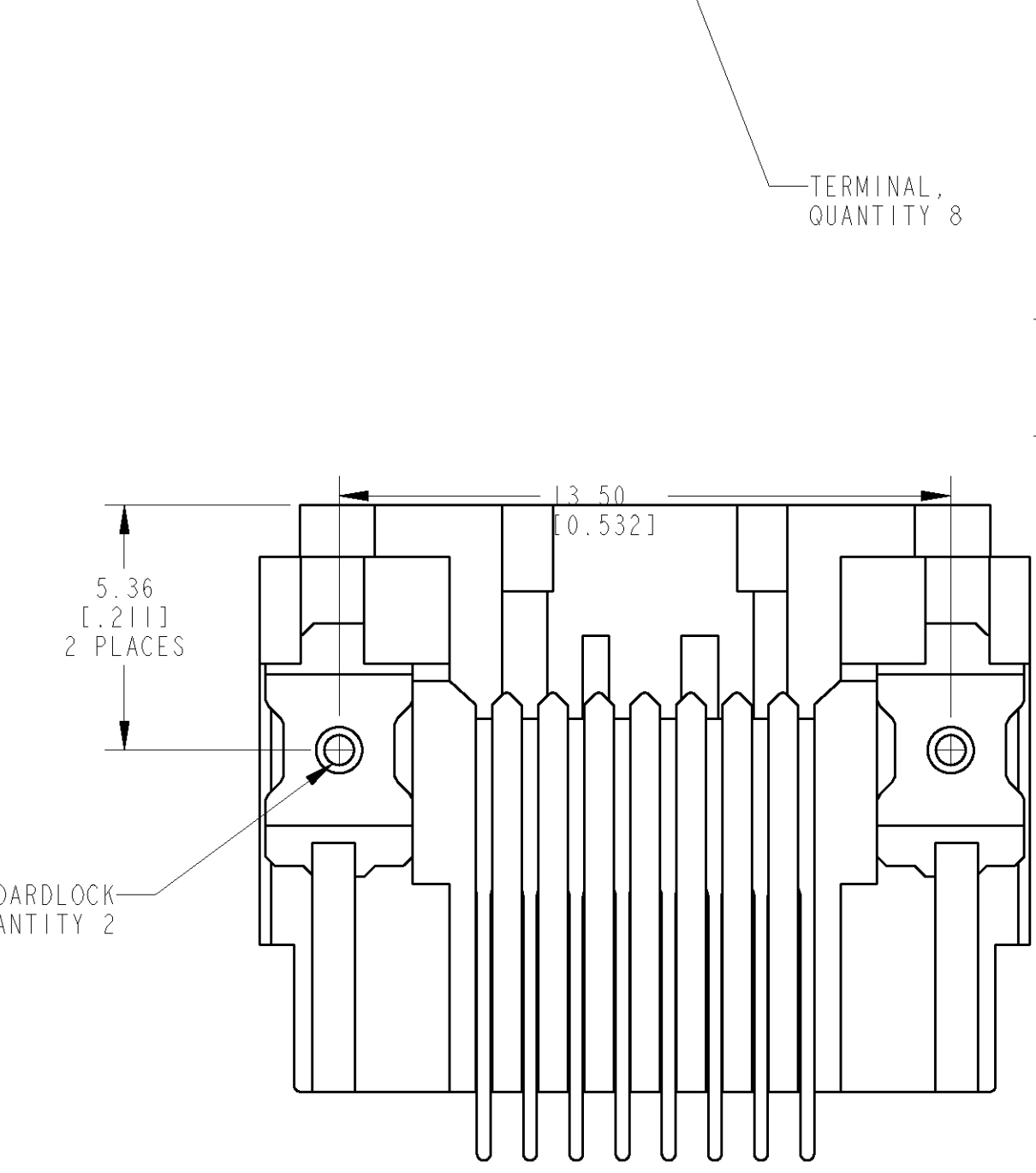


RECOMMENDED PANEL CUTOUT
 SCALE 4:1

- 1 MATERIAL: HOUSING - HIGH TEMPERATURE THERMOPLASTIC, COLOR PER PART NUMBER TABLE
 TERMINALS - 0.3 [0.012] THICK COPPER ALLOY PLATED WITH (SEE TABLE) MINIMUM GOLD IN LOCALIZED CONTACT AREA, 2.5µm [0.000100] MINIMUM MATTE TIN ON TERMINATION END, OVER 1.27µm [0.000050] MINIMUM NICKEL OVER THE ENTIRE TERMINAL
 BOARDLOCK - PHOS BRONZE, 1/2 HARD, 2.54µm [0.000100] MINIMUM MATTE TIN OVER 1.27µm [0.000050] MINIMUM NICKEL
- 2 JACK CAVITY CONFORMS TO FCC RULES AND REGULATIONS, PART 68, SUBPART F
- 3 DATUM ESTABLISHED BY CUSTOMER
- 4 PACKAGING TAPE AND REEL: (PER EIA 481 SPEC)
 TAPE - 32mm [1.26] WIDE
 POCKET PITCH - 24mm [0.945]
 CORRUGATED REEL DIAMETER - 560mm [22.0]
 PIECES/REEL - 650
- 5 PACKAGING TAPE AND REEL: (PER EIA 481 SPEC)
 TAPE - 32mm [1.26] WIDE
 POCKET PITCH - 24mm [0.945]
 PLASTIC REEL DIAMETER - 330mm [13.01]
 PIECES/REEL - 200
- 6 CONNECTOR SHOULD BE POSITIONED THROUGH PANEL CUTOUT AS SHOWN TO SUPPORT TOP OF MODULAR JACK FOR STRAIN RELIEF
- 7 MANUFACTURING DATE CODE LOCATED APPROXIMATELY AS SHOWN. FIRST 2 DIGITS ARE YEAR, SECOND 2 DIGITS ARE WORK WEEK, LAST DIGIT IS THE DAY OF THE WEEK
- 8 THESE PART NUMBERS ARE SUBJECT TO FURTHER VALIDATION TESTING FOR DURABILITY REQUIREMENTS LISTED ON PRODUCT SPECIFICATION
- 9 OBSOLETE



RECOMMENDED PRINTED CIRCUIT BOARD LAYOUT
 COMPONENT SIDE
 SCALE 5:1



MARKING	MIN GOLD THICKNESS	HOUSING COLOR	PACKAGING	PART NUMBER	
1	0.76µm [0.000030]	GREEN	5	8-5406721-6 9	
	0.76µm [0.000030]	GREEN	4	8-1-5406721-5	
	0.76µm [0.000030]	BLACK	5	8-1-5406721-4	
	0.76µm [0.000030]	BLACK	4	8-1-5406721-3	
	0.76µm [0.000030]	GRAY	5	8-1-5406721-2 9	
7	0.76µm [0.000030]	GRAY	4	8-1-5406721-1	
	NONE	1.27µm [0.000050]	GRAY	5	5406721-7
	1	1.27µm [0.000050]	GREEN	5	5406721-6
		1.27µm [0.000050]	GREEN	4	5406721-5 9
		1.27µm [0.000050]	BLACK	5	5406721-4
1	1.27µm [0.000050]	BLACK	4	5406721-3	
	1.27µm [0.000050]	GRAY	5	5406721-2	
	1.27µm [0.000050]	GRAY	4	5406721-1	

THIS DRAWING IS A CONTROLLED DOCUMENT. DATE: 27 JULY 2005
 DWG: J. AHERON / J. A. MATYER 27 JULY 2005
 CHK: J. WESTMAN
 APPD: S. FLICKINGER 27 JULY 2005
 DIMENSIONS: mm [INCHES]
 TOLERANCES UNLESS OTHERWISE SPECIFIED:
 9 PLC ±
 5 PLC ±0.13 [0.005]
 3 PLC ±
 4 PLC ±
 ANGLES ±
 MATERIAL: SEE NOTE 1
 FINISH: SEE NOTE 1
 WEIGHT: 1.46 gram
 CUSTOMER DRAWING
 NAME: MODULAR JACK ASSEMBLY, SINGLE PORT, 8/8 RIGHT ANGLE, SURFACE MOUNT, WITH PANEL STOPS, INWARD BOARDLOCK
 PRODUCT SPEC: 108-1689
 APPLICATION SPEC: 114-6040
 SIZE: CAGE CODE DRAWING NO. RESTRICTED TO
 A1 00779 C=5406721
 SCALE: 4:1 SHEET 1 OF 1 REV E