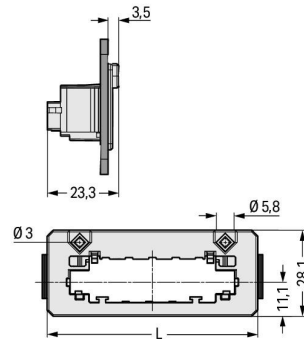


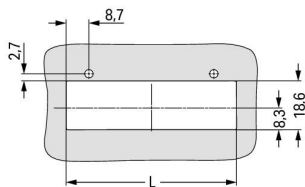
Picture differs from the item.

RoHS Compliant

Color:



$$L = (\text{pole no.} \times 7.62 \text{ mm}) + 30.6 \text{ mm}$$



Panel cutout for snap-in frame

$$L = (\text{pole no.} \times 7.62 \text{ mm}) + 26.8 \text{ mm}$$



### Item description

- Snap-in frames for through-panel MCS MAXI connectors
- Fast and easy installation – without tools

Subject to changes. Please also observe the further product documentation!

WAGO Kontakttechnik GmbH & Co. KG

Hansastr. 27

32423 Minden

Phone: +49571 887-0 | Fax: +49571 887-169

Email: [info.de@wago.com](mailto:info.de@wago.com) | Web: [www.wago.com](http://www.wago.com)

Do you have any questions about our products?

We are always happy to take your call at +49 (571) 887-44222.



- Compatible with MCS MAXI male and female connectors
- For panel thickness ranging from 0.5 to 2.5 mm
- Optional screw mounting

## Data

### Physical data

Width	61.08 mm / 2.405 inch
Height	28.1 mm / 1.106 inch
Depth	23.3 mm / 0.917 inch

### Mechanical data

Mounting type	Snap-in
Mounting type	Feed-through mounting

### Material data

Color	light gray
Weight	6.8 g

### Commercial data

Packaging type	BOX
Country of origin	DE
GTIN	4055143564878
Customs tariff number	39269097900

## Downloads

### Documentation

#### Additional Information

Technical explanations	3. 4. 2019	pdf 2.0 MB	Download
------------------------	------------	---------------	----------

### CAD/CAE-Data

#### CAD data

2D/3D Models 831-304	URL	Download
----------------------	-----	----------

#### CAE data

Subject to changes. Please also observe the further product documentation!

## Environmental Product Compliance

### Compliance Search

Environmental Product Compliance 831-304

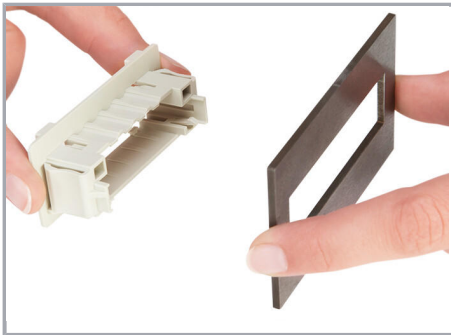
[URL](#)

[Download](#)

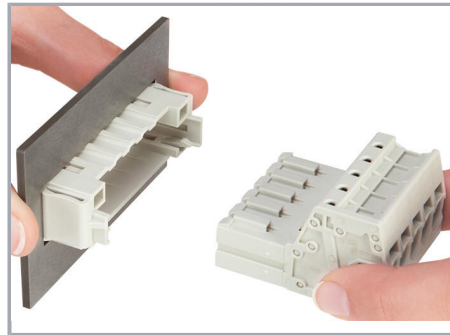
Snap-in frame; 1 part; Pin spacing 7.62 mm; 4-pole; light gray

## Installation Notes

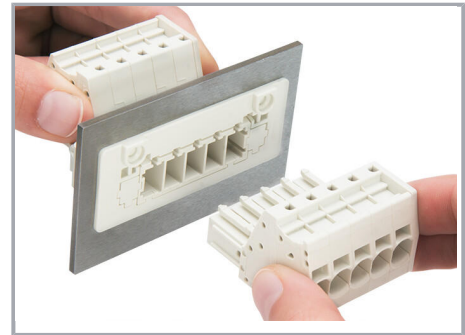
### Installation



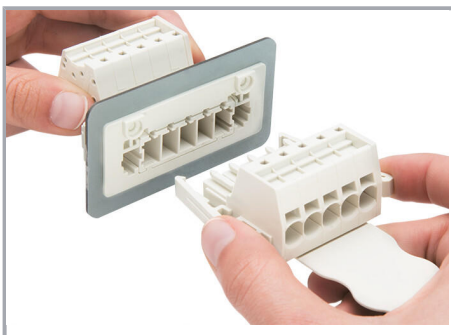
Insert the snap-in frame into the cutout.



Insert the male connector into the snap-in frame.



Inserting a female connector without lateral locking levers – lockout pins are inserted on both sides of the snap-in frame.



Inserting a female connector equipped with lateral locking levers.

Subject to changes. Please also observe the further product documentation!