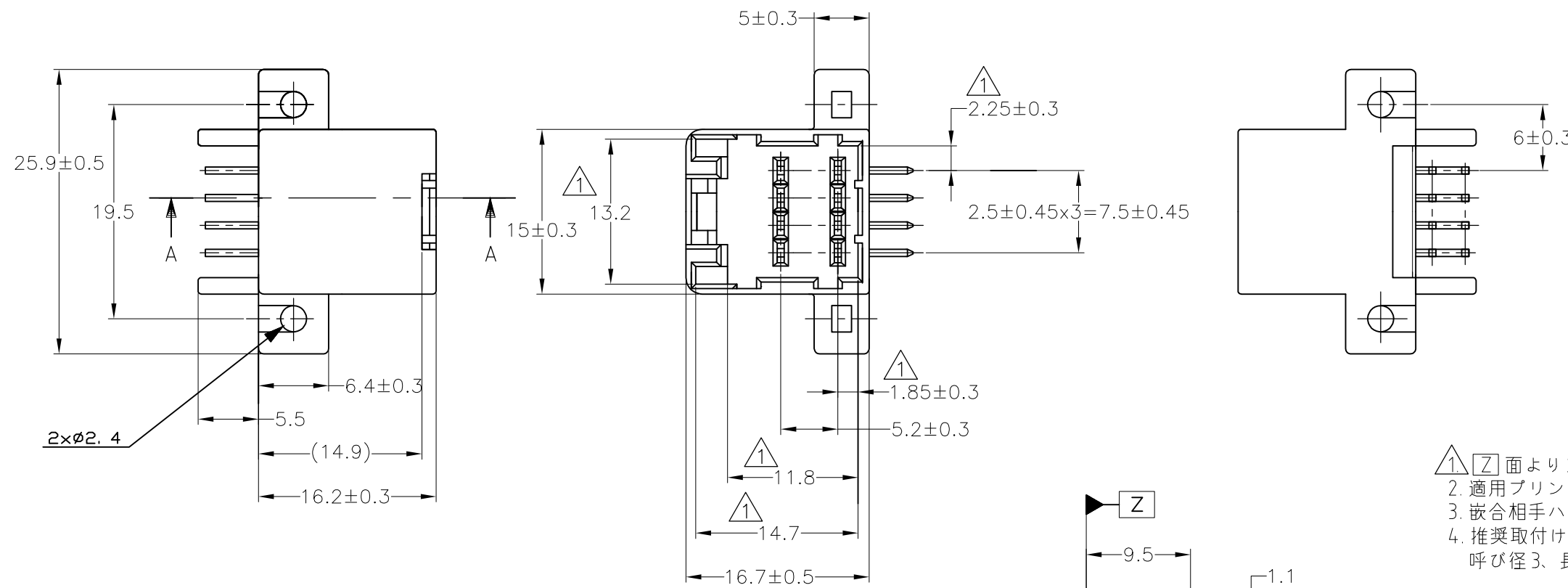
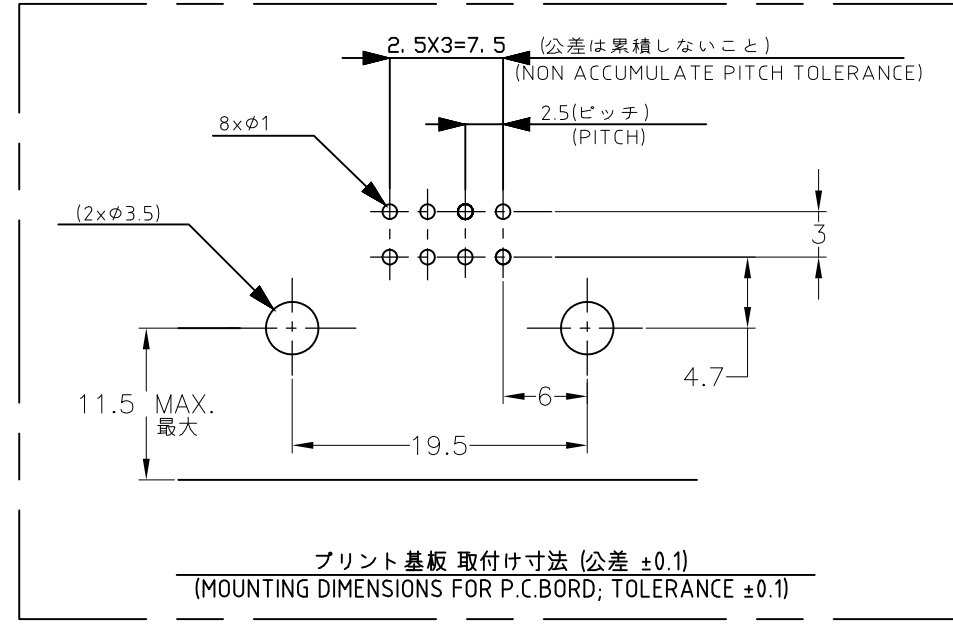
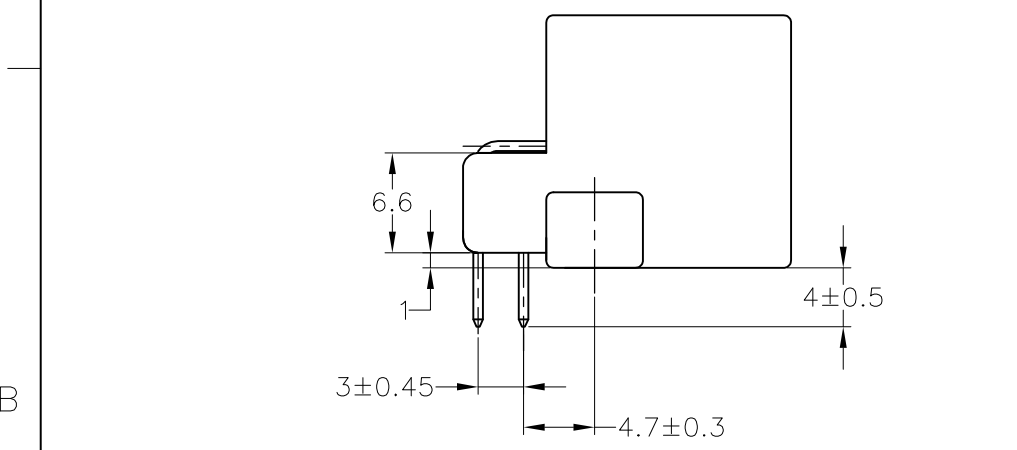


THIS DRAWING IS UNPUBLISHED. RELEASED FOR PUBLICATION APR, 13 .  
 © COPYRIGHT 2015 Tyco Electronics Japan G.K. ALL RIGHTS RESERVED.

P	LTR	DESCRIPTION	DATE	DWN	APVD
E3	OBSOLETE 1--2	ECR-16-003093	17AUG16	KF	HY



- ① Z面より2mmの範囲で測定。  
 2. 適用プリント基板厚: 1.6mm  
 3. 嵌合相手ハウジング型番: 174044  
 4. 推奨取付けねじ: JIS B1115, B1122 タッピングねじ、なべ2種 呼び径3、長さ7mm以上(締付けトルク: 39.2N-cm以下)
- ① TO BE MEASURED WITHIN 2mm FROM Z  
 2. APPLICABLE P.C.BOARD THICKNESS: 1.6mm  
 3. THE MATING PLUG HOUSING PART NUMBER: 174044  
 4. RECOMMENDED MOUNTING SCREW: 3mm DIA, 7mm LENGTH (MIN.) PAN HEAD, CLASS 2 TAPPING SCREW SPECIFIED IN JIS B1115, B1122 (TIGHTENING TORQUE: 39.2N-cm MAX.)



TOLERANCES UNLESS OTHERWISE SPECIFIED:

一般公差	
0 < x < 10:	±0.2
10 < x < 30:	±0.25
30 < x < 100:	±0.3
ANGLE:	±3°

THIS DRAWING IS A CONTROLLED DOCUMENT.

DIMENSIONS:	TOLERANCES UNLESS OTHERWISE SPECIFIED:
mm	
	0 PLC ±-
	1 PLC ±-
	2 PLC ±-
	3 PLC ±-
	4 PLC ±-
	ANGLES ±-
MATERIAL	FINISH
ハウジング: PBT	SEE TABLE
ハウジング	
コンタクト: BRASS	
コンタクト	
黄銅	

SELECTIVE TIN (MATTE)	SELECTIVE GOLD x 8		COLOR	PART NUMBER
OBSOLETE	TIN-LEAD	TIN-LEAD x 8	BLACK 黒色	1-174049-2
OBSOLETE	TIN-LEAD	SELECTIVE GOLD x 8	BLACK 黒色	1-174049-2
	PRE-TIN x 8		BLUE 青色	174049-5
	PRE-TIN x 8		BLACK 黒色	174049-2
SOLDERING SIDE 半田付け部	CONTACT SIDE 接触部側		GOLD PLATED CIRCUIT NO. 金めっき回路番号	
CONTACT FINISH コンタクト仕上			COLOR 色	PART NUMBER 製品型番

DWN	K.FURUYAMA	13APR2015	TE Connectivity	8 POSITION CAP HOUSING ASSMBLY .040 SERIES MULTI-LOCK I/O CONNECTOR (H-TYPE)				
CHK	Y.MITO	13APR2015						
APVD	R.KOMIYAMA	13APR2015						
PRODUCT SPEC								
APPLICATION SPEC			NAME	SIZE	CAGE CODE	DRAWING NO	RESTRICTED TO	
WEIGHT	3.4 g			A3	00779	C-174049		
CUSTOMER DRAWING			SCALE	2:1	SHEET	1 OF 1	REV	E3