

Female connector with gripping plate; 10-pole; Pin spacing 5 mm / 0.197 in

Item No.: 2092-1110/002-1000



Female connector with gripping plate; 10-pole; Pin spacing 5 mm / 0.197 in

Marking

RoHS ✓
Compliant

Business data

Supplier	WAGO
Item no.	2092-1110/002-1000
GTIN / EAN	4050821487821
Content	1
Order amount	50
Customer item number	

Notes

Universal connection of all conductor types Simple, push-in termination of solid and ferruled conductors Easy-to-use design does not require special tools Ability to wire while mated or unmated Testing parallel to conductor entry – tip contact Also available with gripping plates Integrated locking latches prevent accidental disconnection

Technical data

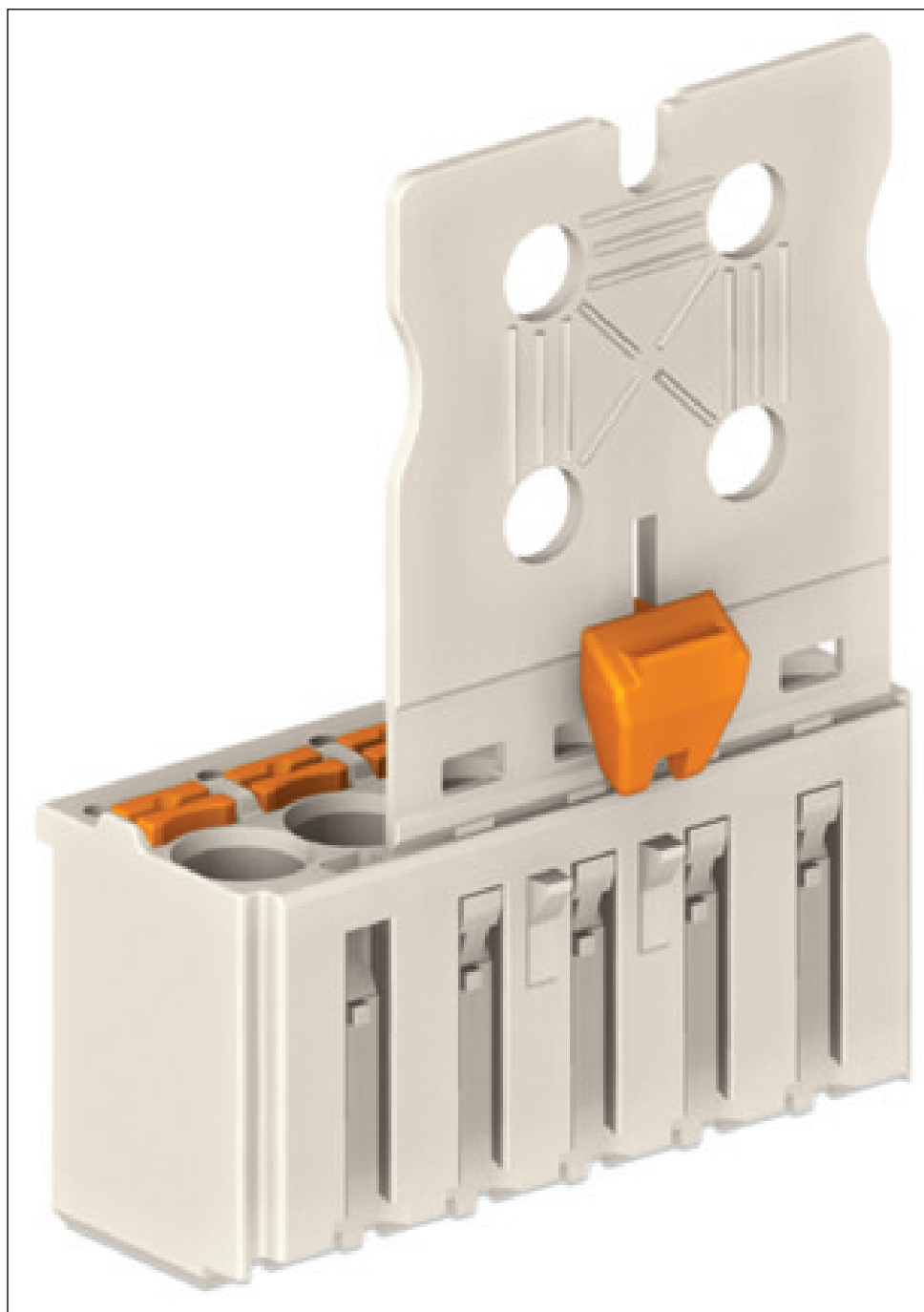
Miscellaneous

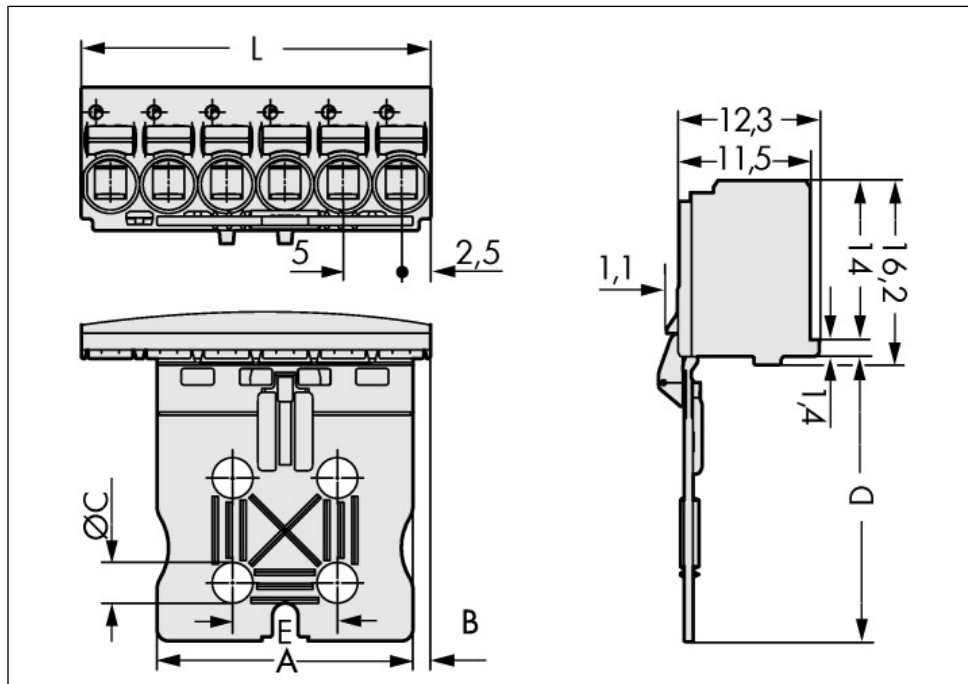
No. of Poles	10
Total number of connection points	10
Total number of potentials	10
Color	light gray
Ratings according to 1	IEC/EN 60664-1
Overvoltage category EN 1	III
Pollution degree (1)	2

Technical data	
Rated voltage EN (1) [V]	320 [V]
Rated surge voltage (1) [kV]	4 [kV]
Nominal current [A]	16 [A]
Overvoltage category EN 2	II
Degree of pollution (2)	2
Rated voltage EN (2) [V]	630 [V]
Rated surge voltage (2) [kV]	4 [kV]
Nominal current (2) [A]	16 [A]
Overvoltage category EN 3	III
Degree of pollution (3)	3
Rated voltage EN (3) [V]	250 [V]
Rated surge voltage (3) [kV]	4 [kV]
Nominal current (3) [A]	16 [A]
Connection technology (1)	CAGE CLAMP® S
Conductor type (1)	solid
Cross section from (1) [mm ²]	0.2 [mm ²]
Cross section up to (1) [mm ²]	1.5 [mm ²]
Cross section from (1) [AWG]	24 [AWG]
Cross section up to (1) [AWG]	12 [AWG]
Conductor type (2)	fine-stranded
Cross section from (2) [mm ²]	0.2 [mm ²]
Cross section up to (2) [mm ²]	2.5 [mm ²]
Conductor type (3)	fine-stranded (with insulated ferrule)
Cross section from (3) [mm ²]	0.25 [mm ²]
Cross section up to (3) [mm ²]	1.5 [mm ²]
Conductor type (4)	fine-stranded (with uninsulated ferrule)
Cross section from (4) [mm ²]	0.25 [mm ²]
Cross section up to (4) [mm ²]	2.5 [mm ²]
Stripped length from (1) [mm]	9 [mm]
Stripped length up to (1) [mm]	10 [mm]
Strip length from [inch] [in]	0.35 [in]
Strip length up to [inch] [in]	0.39 [in]
Stripped length (1) [in]	0.37 [in]
Material group	I

Technical data	
<i>Insulating material</i>	<i>Polyphthalamide glass fiber (PPA-GF)</i>
<i>Flammability rating per UL 94</i>	<i>V0</i>
<i>Lower limit temperature [C]</i>	<i>-60 [C]</i>
<i>Upper temperature limit [C]</i>	<i>100 [C]</i>
<i>Clamping spring material</i>	<i>Chrome-nickel spring steel (CrNi)</i>
<i>Contact material</i>	<i>Electrolytic copper (Ecu)</i>
<i>Contact plating</i>	<i>tin-plated</i>
<i>Fire load [MJ]</i>	<i>0.265 [MJ]</i>
<i>Weight [g]</i>	<i>10.919 [g]</i>
<i>Width [mm]</i>	<i>50 [mm]</i>
<i>Width [in]</i>	<i>1.969 [in]</i>
<i>Height [mm]</i>	<i>40.4 [mm]</i>
<i>Height [in]</i>	<i>1.591 [in]</i>
<i>Length [mm]</i>	<i>14.4 [mm]</i>
<i>Length [in]</i>	<i>0.567 [in]</i>

Images & drawings





Address

WAGO Kontakttechnik GmbH & Co. KG

Hansastr. 27

32423 Minden

Telefon: 0571/887-0

Fax: 0571/887-169

<http://www.wago.com>

© WAGO Kontakttechnik GmbH & Co. KG

Technische Änderungen und Irrtümer vorbehalten.