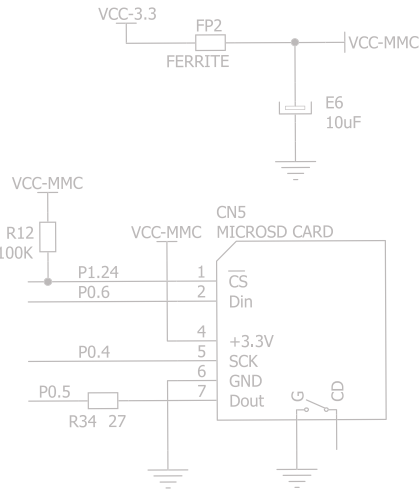


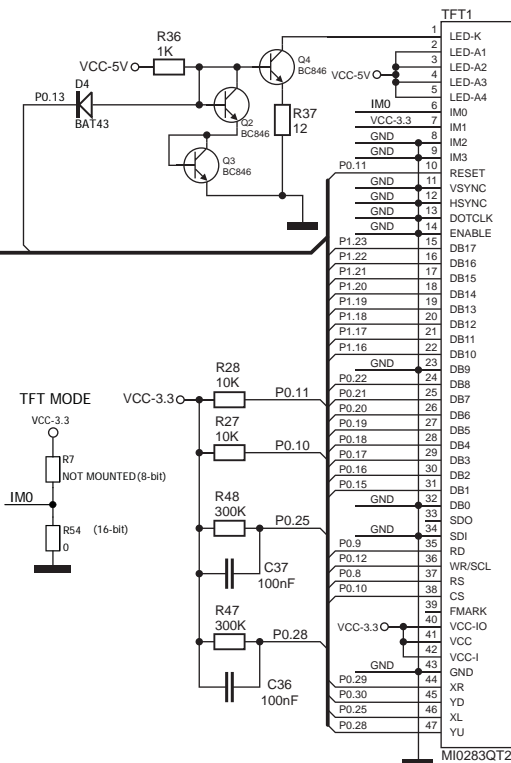
mikromedia board for ARM

Compact development system rich with on-board peripherals for all-round multimedia development on LPC2148 ARM7 device



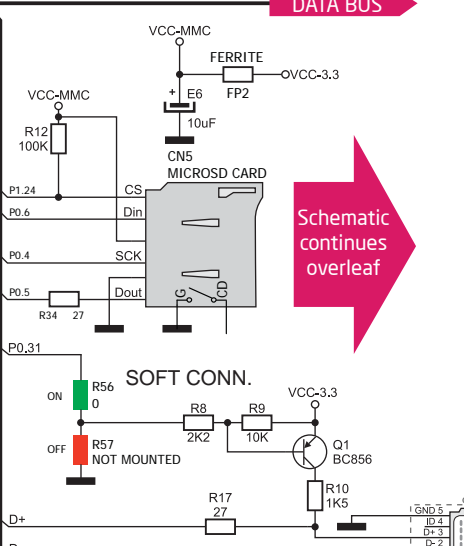
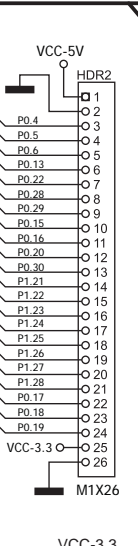
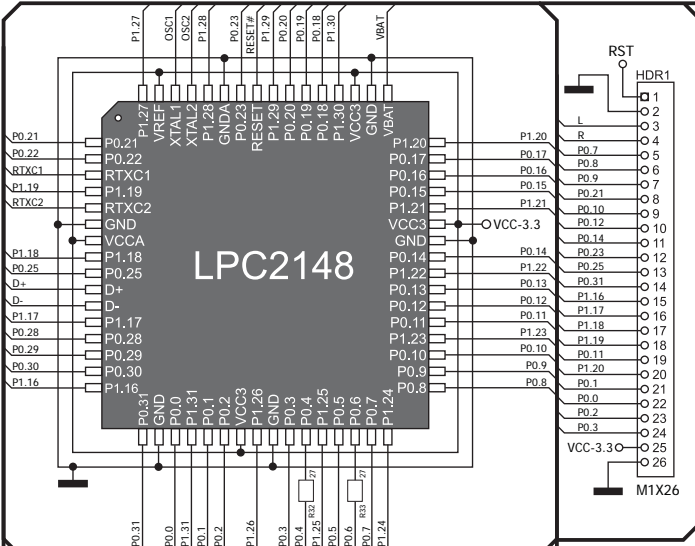
Schematic continues overleaf

DATA BUS



TFT 320x240 display with 262.144 colors

if you want to learn more about our product, please visit our website: www.mikroe.com
if you are experiencing some problems with any of our products or just need additional information, please contact our technical support: www.mikroe.com/technical-support



Schematic continues overleaf

