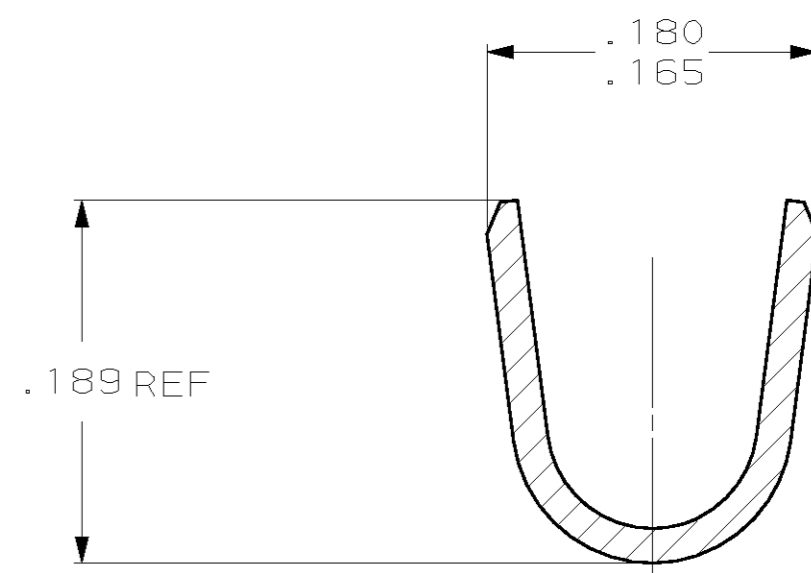
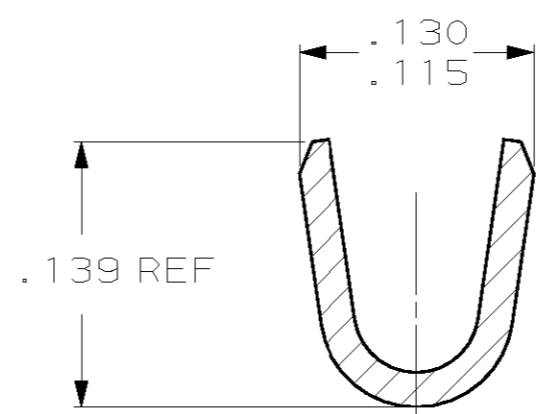
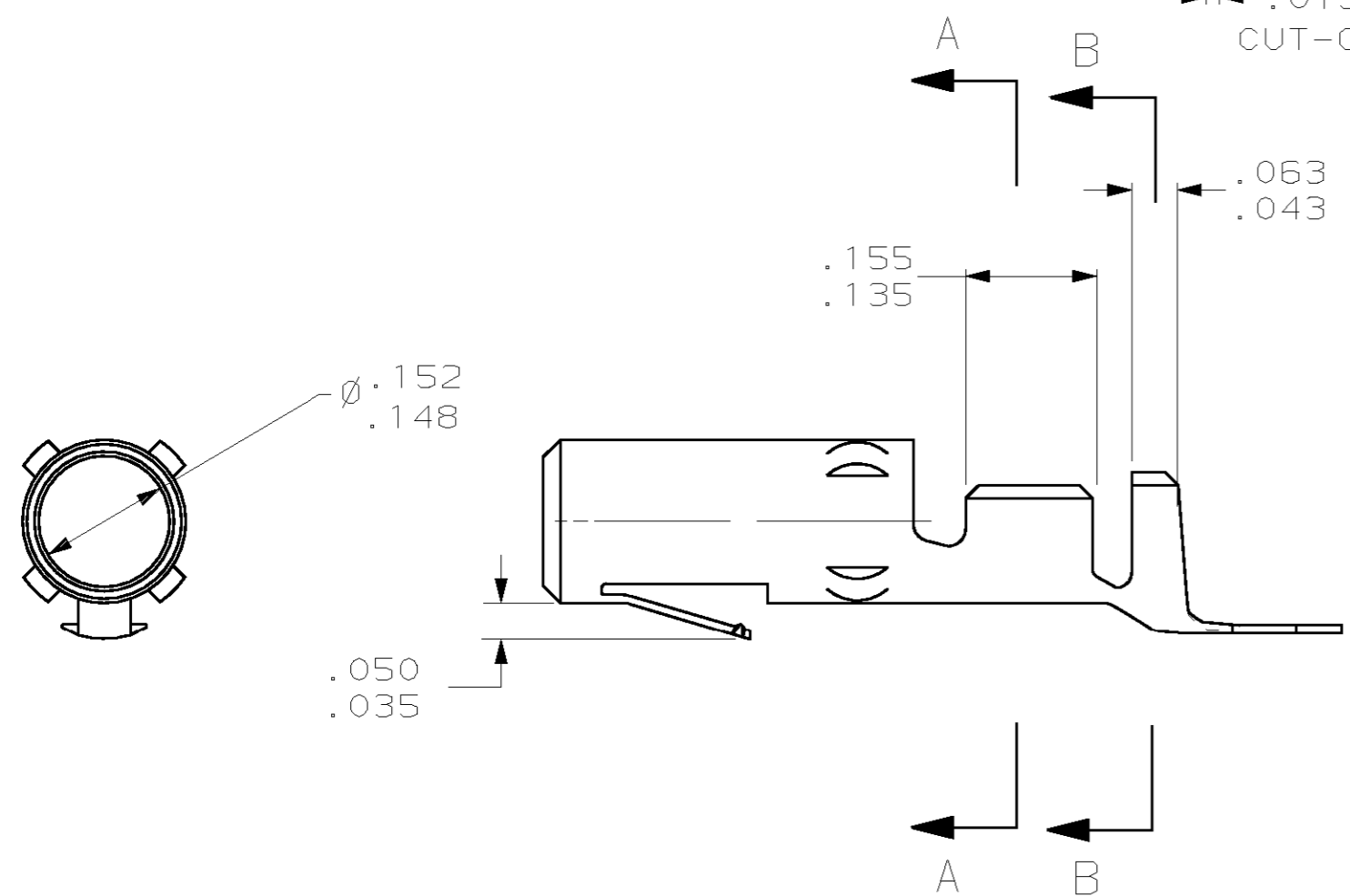
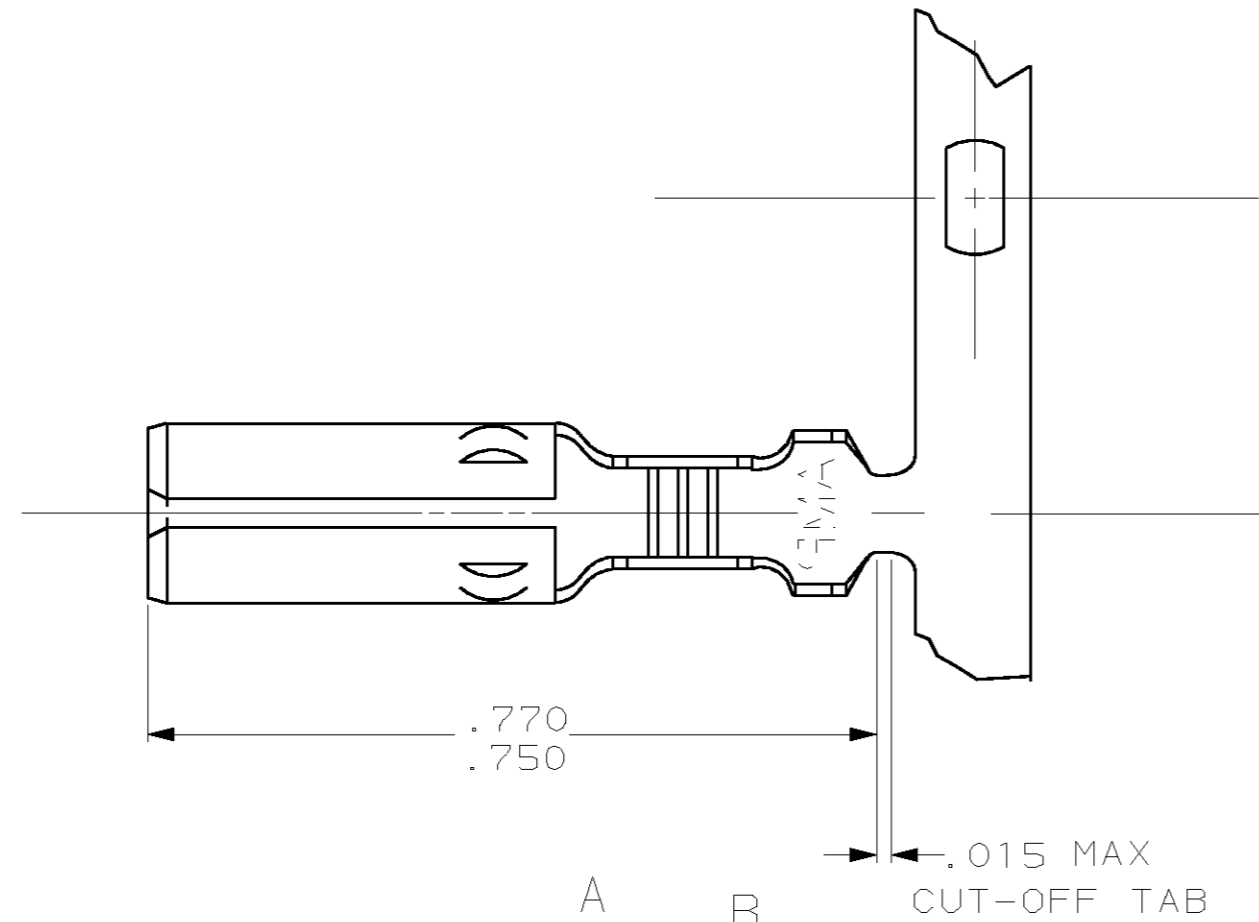


THIS DRAWING IS UNPUBLISHED. RELEASED FOR PUBLICATION .19  
 BY AMP INCORPORATED. ALL RIGHTS RESERVED.

LOC	DIST	REVISIONS			
P	LTR	DESCRIPTION	DATE	DWN	APVD
CM	53	S	REVISED PER EC 063B-0079-00	21-FEB-00	KW SR

1. WIRE RANGE: 20-14 AWG (0.5-2MM<sup>2</sup>).  
 INSULATION RANGE: .125 MAX.



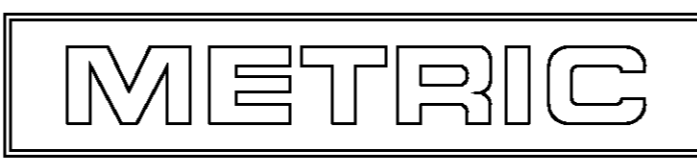
SECTION A-A  
SCALE 10:1

SECTION B-B  
SCALE 10:1

PRELIMINARY	TIN	.018 PH BRZ	61085-3
	TIN	.018 BRASS	61085-1
	FINISH	MATERIAL	PART NO

IN	MM	IN	MM	IN	MM	IN	MM
.050	1.27	.139	3.53	.180	4.57	-	-
.043	1.09	.135	3.43	.165	4.19	-	-
.035	0.89	.130	3.30	.156	3.96	-	-
.018	0.46	.125	3.18	.155	3.94	.770	19.56
.015	0.38	.115	2.92	.152	3.86	.750	19.05
.005	0.13	.063	1.60	.148	3.76	.189	4.80
IN	MM	IN	MM	IN	MM	IN	MM

CONVERSION TABLE



THIS DRAWING IS A CONTROLLED DOCUMENT FOR AMP INCORPORATED. IT IS SUBJECT TO CHANGE AND THE CONTROLLING ENGINEERING ORGANIZATION SHOULD BE CONTACTED FOR THE LATEST REVISION.

DIMENSIONS: mm (INCHES)

TOLERANCES UNLESS OTHERWISE SPECIFIED:  
 0 PLC ±-  
 1 PLC ±-  
 2 PLC ±-  
 3 PLC ± .005  
 4 PLC ±-  
 ANGLES ±0°30'

MATERIAL: - FINISH: -

DWN: J. HUFFMAN 12-07-95  
 CHK: R. SWING 12-07-95  
 APVD: C. MARTIN 12-07-95

AMP Incorporated  
 Harrisburg, PA 17105-3608

SOCKET, .156 MATE-N-LOK™

SIZE: A2 CAGE CODE: 00779 DRAWING NO: C-61085

WEIGHT: -

CUSTOMER DRAWING SCALE: 5:1 SHEET: 1 OF 1 REV: 5