

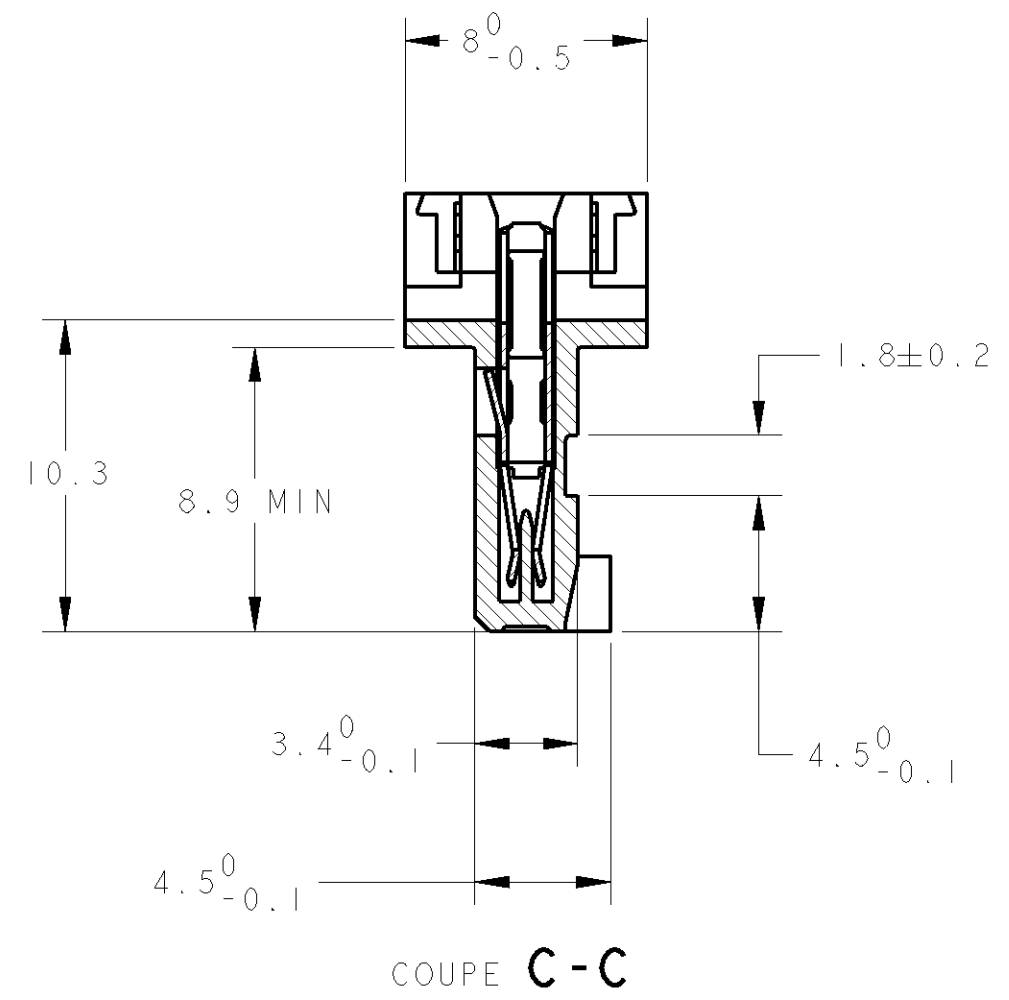
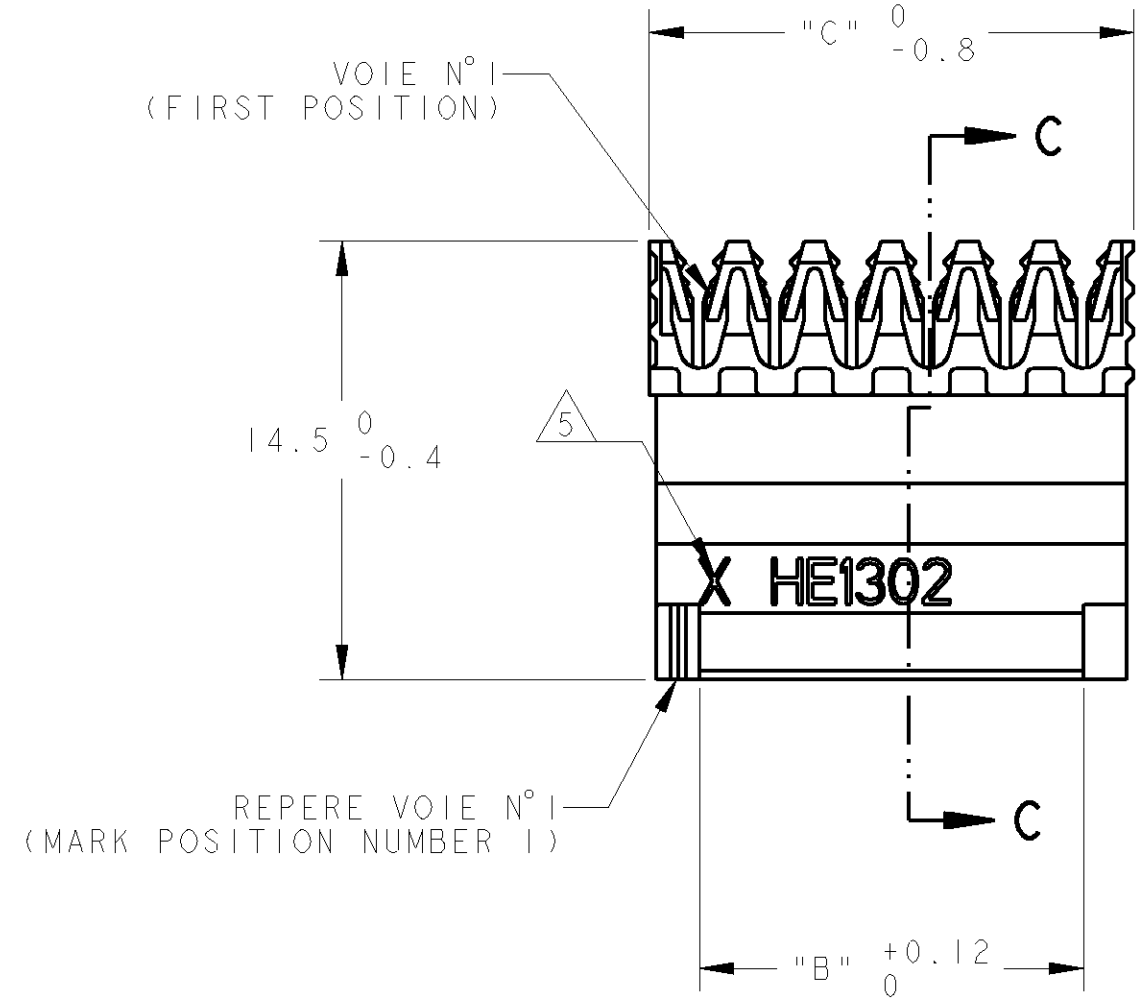
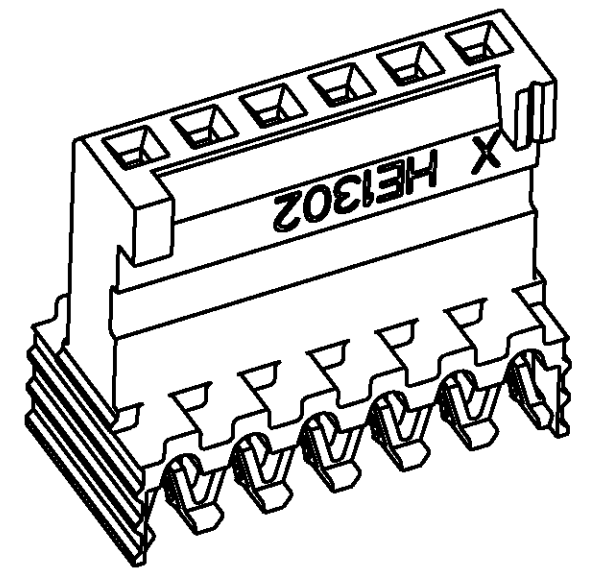
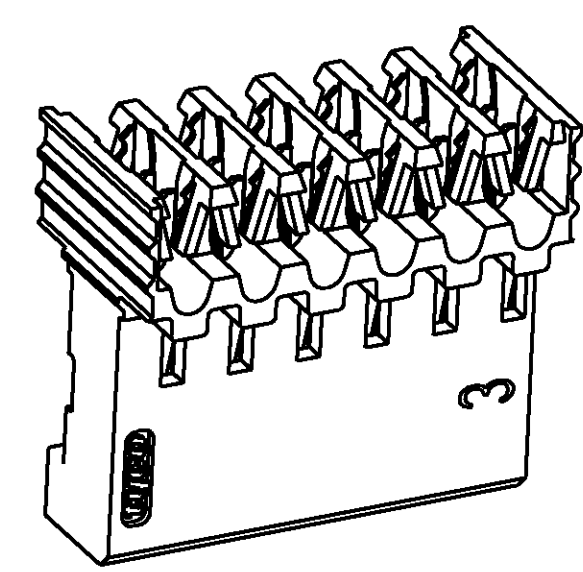
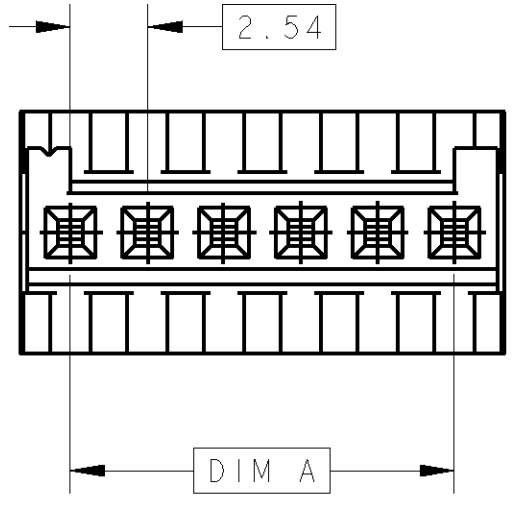
THIS DRAWING IS UNPUBLISHED.  
DIFFUSION RESTREINTE

RELEASED FOR PUBLICATION  
LIBRE A LA DIFFUSION

ALL RIGHTS RESERVED  
TOUS DROITS RESERVES

FILS ADMISSIBLES (ACCEPTABLES WIRES)	
JAUGE (AWG) SECTION / 7 BRINS (7 STRANDS)	24 0.22mm <sup>2</sup>
ISOLANT: Ø MAX / MATIERE (INSUL.: Ø MAX / MAT'L)	Ø 1.2 / PVC

LOC	DIST	REVISIONS					
F	7	P	LTR	DESCRIPTION MODIFICATIONS	DATE	DWN DESS.	APVD APP.
		E1		REVISED PER ECO-11-005150	19APR11	RK	HMR



OBSOLETE	9	64.36	66.96	25	2	201709-5	2	144273-5
OBSOLETE	9	61.76	58.42	24	2	201709-4	2	144273-4
OBSOLETE	10	59.22	55.06	23	2	201709-3	2	144273-3
OBSOLETE	10	56.68	53.34	22	2	201709-2	2	144273-2
OBSOLETE	10	54.14	50.66	21	2	201709-1	2	144273-1
OBSOLETE	11	51.60	48.26	20	2	201709-0	2	144273-0
OBSOLETE	12	49.06	45.72	19	1	201709-9	1	144273-9
	12	46.52	43.18	18	1	281709-8 *	1	144273-8 *
OBSOLETE	13	43.98	40.64	17	1	201709-7	1	144273-7
OBSOLETE	14	41.44	38.10	16	1	201709-6	1	144273-6
	15	38.90	35.56	15	1	281709-5 *	1	144273-5 *
OBSOLETE	16	36.36	33.02	14	1	201709-4	1	144273-4
OBSOLETE	17	33.82	30.48	13	1	201709-3	1	144273-3
	18	31.28	27.94	12	1	281709-2 *	1	144273-2 *
OBSOLETE	20	28.74	25.40	11	1	201709-1	1	144273-1
OBSOLETE	20	26.20	22.86	10	1	281709-0 *	1	144273-0 *
OBSOLETE	25	23.66	20.32	9	0	201709-9	0	144273-9
	25	21.12	17.78	8	0	281709-8 *	0	144273-8 *
	30	18.58	15.24	7	0	281709-7	0	144273-7
	35	16.04	12.70	6	0	281709-6 *	0	144273-6 *
	40	13.50	10.16	5	0	281709-5 *	0	144273-5 *
	50	10.96	7.62	4	0	281709-4 *	0	144273-4 *
	70	8.42	5.08	3	0	281709-3 *	0	144273-3 *
	100	5.88	2.54	2	0	281709-2	0	144273-2
QUANT / TUBE		C	A, B			Nb DE POS		REFERENCES (PART No)
		DIMENSIONS						

- 1 CES CONNECTEURS SONT PREVUS POUR ETRE ACCOUPLES AVEC LES EMBASES 'HE1302' SIMPLE RANGEE
- 2 LES REFERENCES SUIVIES D'UN ' \* ' SONT LES VERSIONS NORMALISEES SELON LA 'CEI 603-8'
- 3 REVETEMENT DES CONTACTS: 0.4µm OR DANS LA ZONE DE CONTACT, ETAIN SUR SORTIE CAD, SOUS-COUCHE NICKEL
- 4 CONNECTEURS CONDITIONNES SOUS TUBE PVC
- 5 ' X ' EST REMPLACE PAR LE DEUXIEME CHIFFRE DES JAUGES AWG
- 6 MATERIAUX - BOITIER: PBT UL 94V0 - CONTACTS: BRONZE PHOSPHOREUX

- (THESE CONNECTEURS ARE DESIGNED TO BE MATED WITH 'HE1302' HEADERS SINGLE ROW)
- (THE PART-NO FOLLOWED BY ' \* ' ARE COVERED BY THE INTERNATIONAL STANDARD 'IEC 603-8')
- (CONTACTS PLATING: 0.4µm GOLD ON CONTACT AREA, TIN ON I.D. BARREL AREA NICKEL UNDER-PLATING)
- (THESE CONNECTEURS ARE PACKAGED IN TUBE)
- (' X ' REPLACED BY THE SECOND DIGIT OF AWG AS DEFINED IN TABLE)
- (MATERIALS - CASE: PBT UL 94V0 - CONTACTS: PHOSPHOR BRONZE)

DIMENSIONS: mm		TOLERANCES UNLESS OTHERWISE SPECIFIED: (SUIV NB DE DECIMALES) 0 PLC/DEC: ± 1 PLC/DEC: ±0.3 2 PLC/DEC: ± 3 PLC/DEC: ± 4 PLC/DEC: ± ANGLES ±5°		DWN/DESSINE: 1/NOV2000 C. COMBEDOUZON CHK/VERIFIE: 1/NOV2000 T. CORRIOU APVD/APPROUVE: 1/NOV2000 Y. PETRONIN		TE Connectivity	
MATERIAL/MATIERE		FINISH/FINITION		PRODUCT SPEC: 108-15053 APPLICATION SPEC: 114-15030		NAME/TITRE: HE1302 PLUG, 90deg IDC SINGLE ROW	
6		3		WEIGHT/MASSE APPROX.:		SIZE/FORMAT: A2 CAGE CODE: 00779 DRAWING NO: C-281709	
CUSTOMER DRAWING /PLAN CLIENT				UNIFORMEMENT POUR REFERENCE		SCALE/ECHELLE: 4	
				SHEET FEUILLE: OF DE		REV: E1	