

# ICS20-C100X12-7035 - Upper housing part



2203879

<https://www.phoenixcontact.com/pc/products/2203879>

Please be informed that the data shown in this PDF document is generated from our online catalog. Please find the complete data in the user documentation. Our general terms of use for downloads are valid.

DIN rail housing, Upper part, closed, width: 20 mm, height: 100 mm, depth: 14.35 mm, color: light gray (similar RAL 7035)



## Your advantages

- Flexible use, thanks to the modular system and unique modularity in the connection technology
- Standardized connections such as RJ45, USB, D-SUB and antenna sockets as components that can be integrated
- Optimal space utilization, as well as adaptability of design, colors, and printing
- Eight-position DIN rail connectors with parallel and up to two serial contacts for easy module-to-module communication

## Commercial data

|                                      |               |
|--------------------------------------|---------------|
| Item number                          | 2203879       |
| Packing unit                         | 10 pc         |
| Minimum order quantity               | 10 pc         |
| Product key                          | ACHAED        |
| GTIN                                 | 4055626465548 |
| Weight per piece (including packing) | 9 g           |
| Weight per piece (excluding packing) | 6.2 g         |
| Customs tariff number                | 85389099      |
| Country of origin                    | DE            |

# ICS20-C100X12-7035 - Upper housing part

2203879

<https://www.phoenixcontact.com/pc/products/2203879>

## Technical data

### Notes

|               |   |
|---------------|---|
| Assembly note | Refer to the data sheet for the range in the download area. |
|---------------|---|


### Product properties

|                              |                    |
|------------------------------|--------------------|
| Product type                 | Upper housing part |
| Housing type                 | DIN rail housing   |
| Housing series               | ICS                |
| Product family               | ICS20-..100X..     |
| Type                         | Upper part, closed |
| Ventilation openings present | no                 |

### Data management status

|                  |    |
|------------------|----|
| Article revision | 00 |
|------------------|----|

### Dimensions

|                     |   |
|---------------------|---|
| Dimensional drawing |  |
| Width               | 20 mm   |
| Height              | 100 mm  |
| Depth               | 14.35 mm  |

### PCB design

|               |                   |
|---------------|-------------------|
| PCB thickness | 1.4 mm ... 1.8 mm |
|---------------|-------------------|

### Material specifications

|  |                       |
|--|-----------------------|
| Color (Housing)                        | light gray (RAL 7035) |
| Flammability rating according to UL 94 | V0                    |
| CTI according to IEC 60112             | 600                   |
| Housing material                       | Polyamide             |
| Surface characteristics                | untreated             |

### Environmental and real-life conditions

#### Vibration test

|               |                       |
|---------------|-----------------------|
| Specification | IEC 60068-2-6:2007-12 |
| Frequency     | 10 - 150 - 10 Hz      |
| Sweep speed   | 1 octave/min          |

# ICS20-C100X12-7035 - Upper housing part



2203879

<https://www.phoenixcontact.com/pc/products/2203879>

|                        |                             |
|------------------------|-----------------------------|
| Amplitude              | 0.15 mm (10 Hz ... 58.1 Hz) |
| Acceleration           | 2g (58.1 Hz ... 150 Hz)     |
| Test duration per axis | 2.5 h                       |
| Test directions        | X-, Y- and Z-axis           |

## Glow-wire test

|                  |                        |
|------------------|------------------------|
| Specification    | IEC 60695-2-11:2014-02 |
| Temperature      | 850 °C                 |
| Time of exposure | 30 s                   |

## Thermal stability / ball thrust test

|               |                        |
|---------------|------------------------|
| Specification | IEC 60695-10-2:2014-02 |
| Temperature   | 125 °C                 |
| Test duration | 1 h                    |
| Force         | 20 N                   |

## Mechanical strength / tumbling barrel

|                |                        |
|----------------|------------------------|
| Specification  | IEC 60068-2-31:2008-05 |
| Height of fall | 50 cm                  |
| Frequency      | 50                     |

## Shocks

|                                |                                   |
|--------------------------------|-----------------------------------|
| Specification                  | IEC 60068-2-27:2008-02            |
| Pulse shape                    | Semi-sinusoidal                   |
| Acceleration                   | 15g                               |
| Shock duration                 | 11 ms                             |
| Number of shocks per direction | 3                                 |
| Test directions                | X-, Y- and Z-axis (pos. and neg.) |

## Test for substances that would hinder coating with paint or varnish

|               |                    |
|---------------|--------------------|
| Specification | VDMA 24364:2018-05 |
| Result        | Test passed        |

## Degree of protection (IP code)

|                                       |   |
|---------------------------------------|---|
| Specification                         | IEC 60529:1989-11 + AMD 1:1999-11 + AMD 2:2013-08 |
| Result, degree of protection, IP code | IP20  |

## Ambient conditions

|   |  |
|---|--|
| Max. IP code to attain                  | IP20   |
| Ambient temperature (operation)         | -40 °C ... 105 °C (depending on power dissipation) |
| Ambient temperature (storage/transport) | -40 °C ... 55 °C                                   |
| Ambient temperature (assembly)          | -5 °C ... 100 °C                                   |
| Relative humidity (storage/transport)   | 80 %   |

## PCB data

|                       |      |
|-----------------------|------|
| Number of PCB holders | 2    |
| Type of PCB mount     | Slot |

# ICS20-C100X12-7035 - Upper housing part



2203879

<https://www.phoenixcontact.com/pc/products/2203879>

|                      |                   |
|----------------------|-------------------|
| Thickness of the PCB | 1.4 mm ... 1.8 mm |
|----------------------|-------------------|

## Mounting

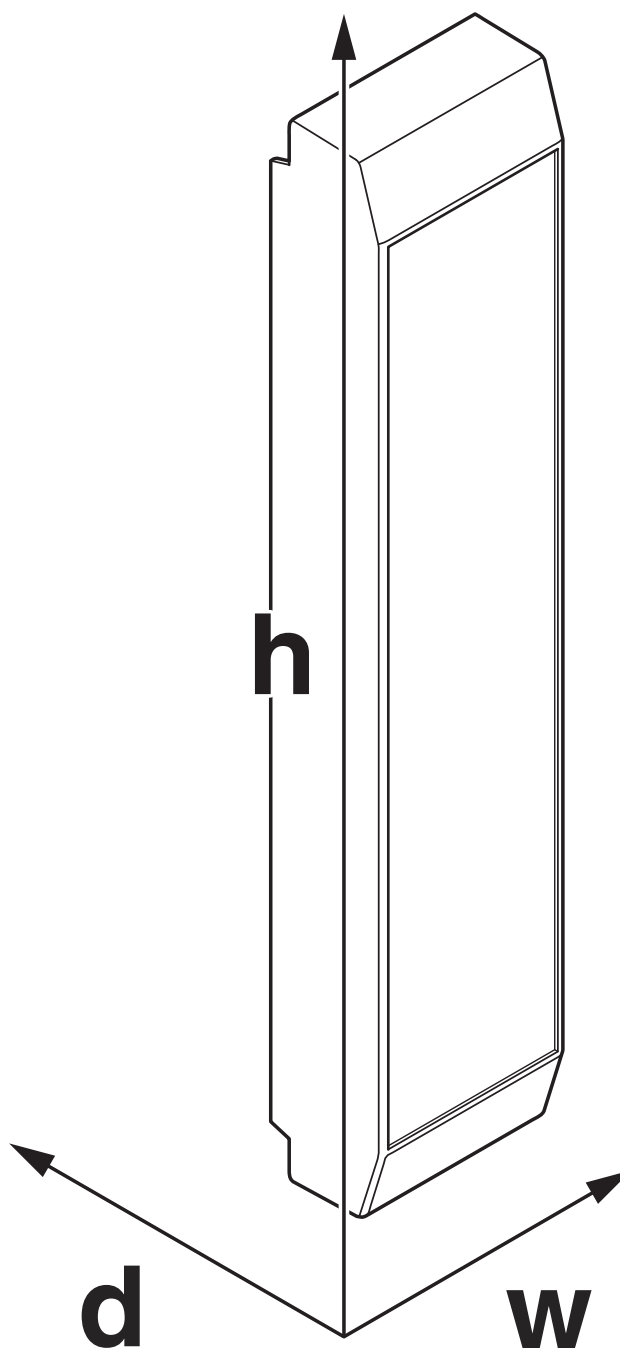
|               |         |
|---------------|---------|
| Mounting type | Snap in |
|---------------|---------|

## Packaging specifications

|                      |                     |
|----------------------|---------------------|
| Type of packaging    | packed in cardboard |
| Outer packaging type | Carton              |

## Drawings

Dimensional drawing



Schematic figure for illustrating the item dimensions. The figure is not of the desired product. For further details, refer to the product drawings in the "Downloads" tab.

# ICS20-C100X12-7035 - Upper housing part



2203879

<https://www.phoenixcontact.com/pc/products/2203879>

## Approvals

To download certificates, visit the product detail page: <https://www.phoenixcontact.com/pc/products/2203879>



**UL Recognized**

Approval ID: E240868

# ICS20-C100X12-7035 - Upper housing part



2203879

<https://www.phoenixcontact.com/pc/products/2203879>

## Classifications

### ECLASS

|             |          |
|-------------|----------|
| ECLASS-11.0 | 27182702 |
| ECLASS-13.0 | 27190603 |

### ETIM

|          |          |
|----------|----------|
| ETIM 9.0 | EC002779 |
|----------|----------|

### UNSPSC

|             |          |
|-------------|----------|
| UNSPSC 21.0 | 31261500 |
|-------------|----------|

# ICS20-C100X12-7035 - Upper housing part



2203879

<https://www.phoenixcontact.com/pc/products/2203879>

## Environmental product compliance

### EU RoHS

|   |                    |
|---|--------------------|
| Fulfills EU RoHS substance requirements | Yes, No exemptions |
|---|--------------------|

### China RoHS

|  |  |
|--|--|
| Environment friendly use period (EFUP) | EFUP-E                                   |
|  | No hazardous substances above the limits |

### EU REACH SVHC

|                                     |                            |
|-------------------------------------|----------------------------|
| REACH candidate substance (CAS No.) | No substance above 0.1 wt% |
|-------------------------------------|----------------------------|

Phoenix Contact 2024 © - all rights reserved  
<https://www.phoenixcontact.com>

PHOENIX CONTACT GmbH & Co. KG  
Flachmarktstraße 8  
D-32825 Blomberg  
+49 (0) 5235-3 00  
[info@phoenixcontact.com](mailto:info@phoenixcontact.com)