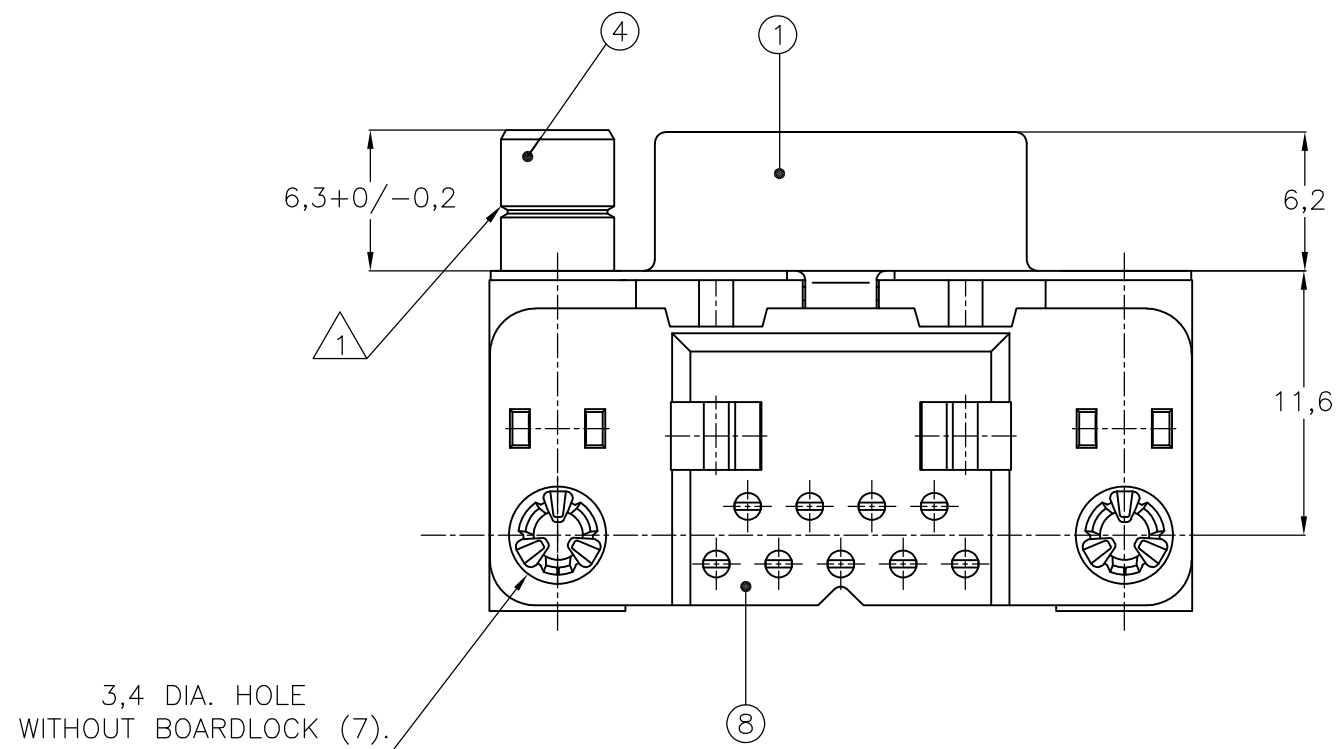
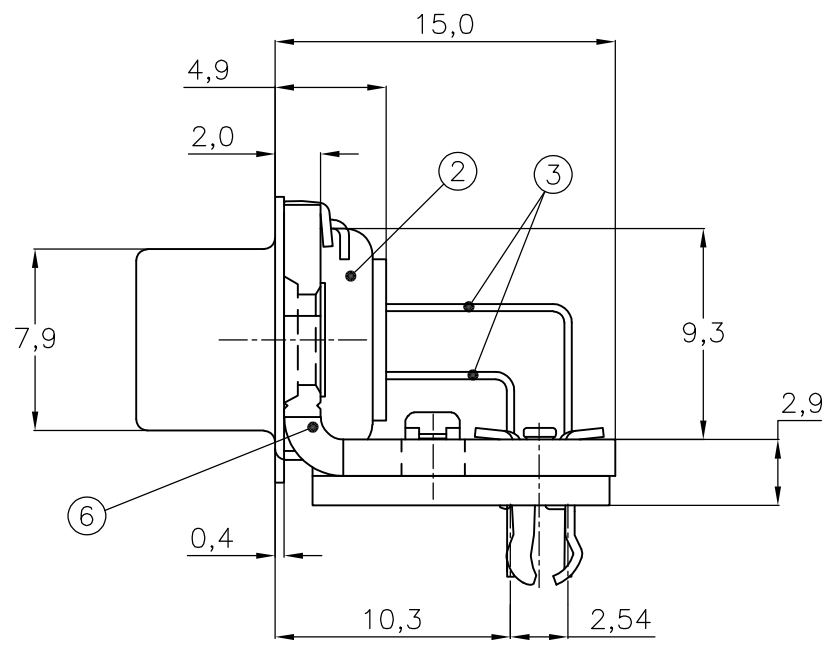
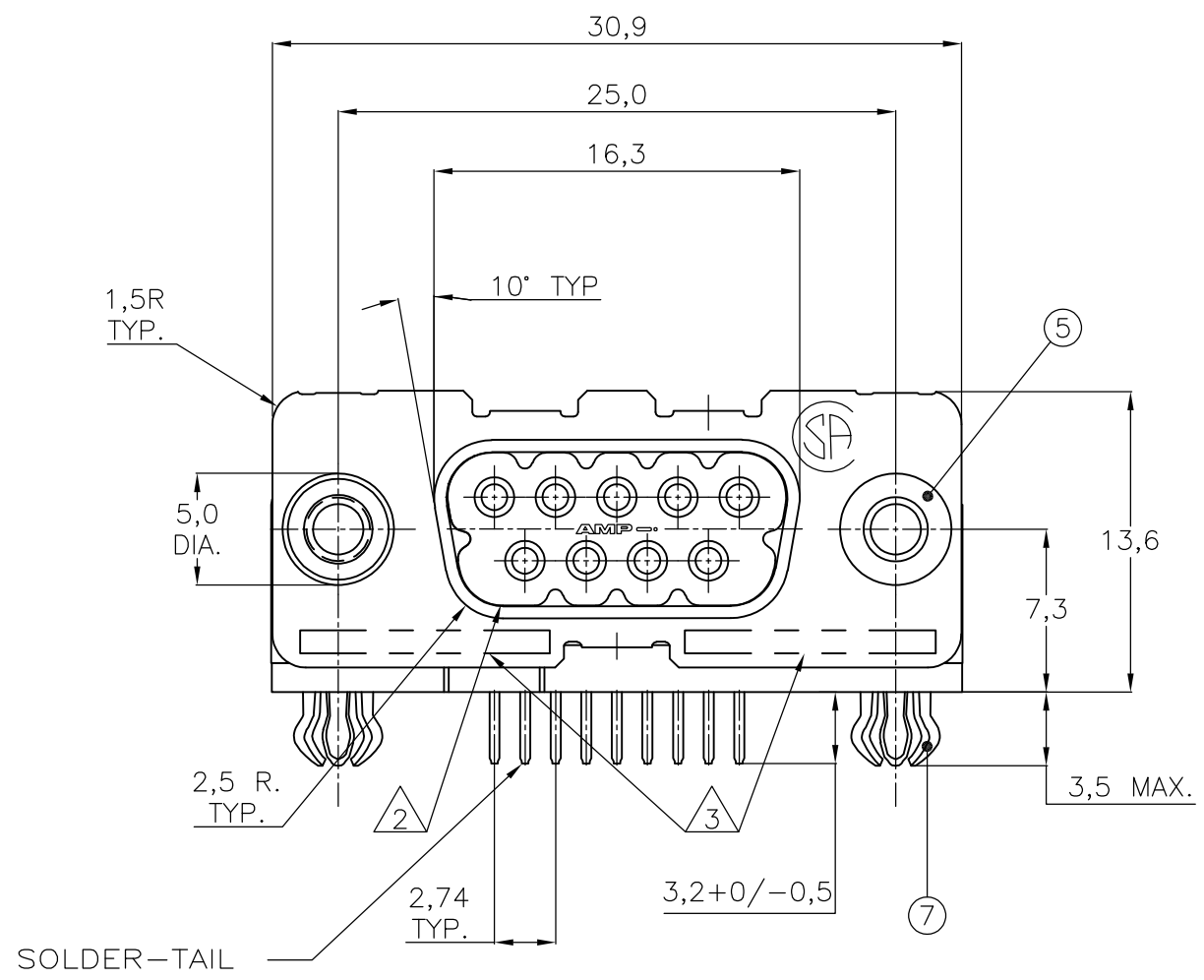


THIS DRAWING IS UNPUBLISHED. RELEASED FOR PUBLICATION  
 © COPYRIGHT - By - ALL RIGHTS RESERVED.

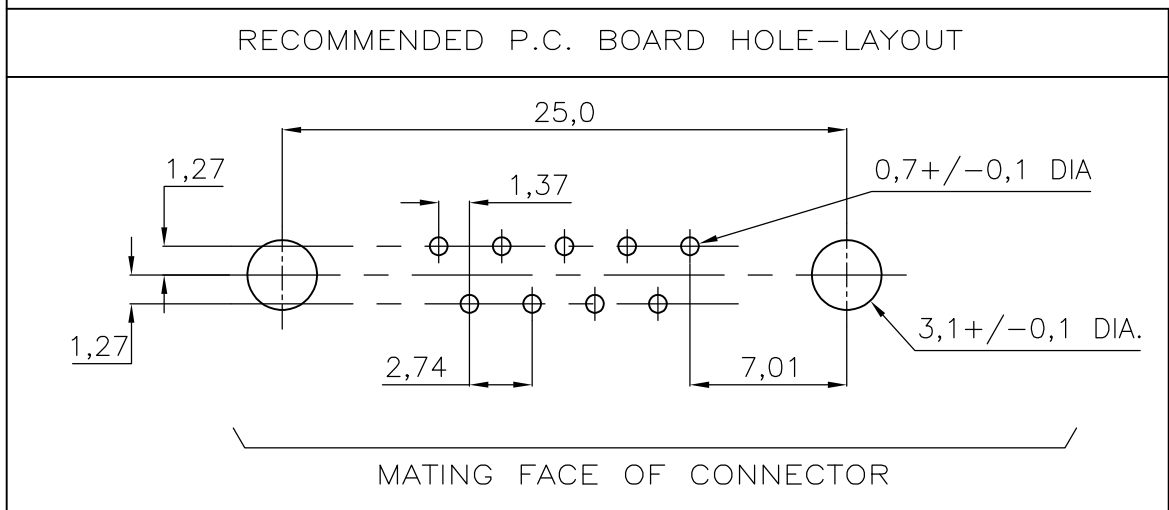
LOC		DIST		REVISIONS			
P	LTR	DESCRIPTION		DATE	DWN	APVD	
GP	00	M		REVISED PER ECO-15-004948	27APR2015	AP	SB



ACCESSORIES	ITEM NO.	DESCRIPTION OF ACCESSORY	QUANTITY															
			106505-2	1-106505-2	2-106505-2	3-106505-2	4-106505-2	5-106505-2	6-106505-2	7-106505-2	8-106505-2	9-106505-2						
	5	BUSHING WITH THROUGH-HOLE 3,1 DIA.	2					2										
	5	BUSHING WITH INNER THREAD 4-40 UNC		2										2				
	5	BUSHING WITH INNER THREAD M3			2										2			
	4	FEMALE SCREWLOCK WITH 4-40 UNC				2												2
	4	FEMALE SCREWLOCK WITH M3					2											2
	7	BOARDLOCK	2	2	2	2	2											

- ① GROOVE INDICATES VERSION WITH 4-40 UNC INNER THREAD; WITHOUT GROOVE INDICATES VERSION WITH M3 INNER THREAD.
- ② CAVITY IDENTIFICATION AT FRONT SIDE ONLY.
- ③ PART NUMBER AND DATE CODE.
- 4. AIR AND CREEPAGE DISTANCES ACCORDING TO DIN 41652.
- ⑤ CONTACT FINISH: GOLD FLASH OVER PALLADIUM NICKEL PLATE OR GOLD PLATE ON MATING SURFACES, TIN PLATE ON THE SOLDER-TAILS, NICKEL UNDERPLATE ON THE ENTIRE CONTACT. MATING SURFACE FINISH MEETS PERFORMANCE LEVEL 2 PER DIN 41652.

- ITEM NO./MATERIAL :
- ① SHELL : BRIGHT TIN PLATED STEEL
  - ② HOUSING : GLASS FILLED POLYESTER, COLOR : BLACK
  - ③ CONTACTS : PHOSPHOR BRONZE (PLATING : SEE NOTES ABOVE)
  - ④ FEMALE SCREWLOCK : TIN PLATED STEEL (INNER THREAD 4-40 UNC OR M3)
  - ⑤ BUSHING : TIN PLATED STEEL (INNER THREAD 4-40 UNC OR M3 OR 3,1 DIA THROUGH-HOLE)
  - ⑥ BRACKET : TIN PLATED STEEL
  - ⑦ BOARDLOCK : TIN PLATED PHOSPHOR BRONZE
  - ⑧ POST ALIGNMENT PLATE : GLASS FILLED NYLON COLOR : BLACK



THIS DRAWING IS A CONTROLLED DOCUMENT. DIMENSIONING AND TOLERANCING PER ASME Y14.5M-2009		DWN D. KESSLER 14JAN99	TE Connectivity	
DIMENSIONS: mm		CHK W. SOOMERS		
TOLERANCES UNLESS OTHERWISE SPECIFIED:		APVD	HD-20 SIZE 1 RIGHT ANGLE RECEPTACLE HEADER; MARK II+	
0 PLC ± -		PRODUCT SPEC	SIZE	CAGE CODE
1 PLC ± 0.3		APPLICATION SPEC	A2	00779
2 PLC ± 0.15		WEIGHT	DRAWING NO C=106505	
3 PLC ± -		CUSTOMER DRAWING	SCALE	SHEET
4 PLC ± -			NTS	1 OF 1
ANGLES ± 2°			REV	M

# Mouser Electronics

Authorized Distributor

Click to View Pricing, Inventory, Delivery & Lifecycle Information:

[TE Connectivity:](#)

[6-106505-2](#)