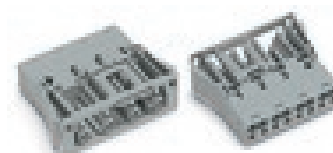




## Socket; Snap-in version; 4-pole; 100% protected against mismatching

Item No.: 770-744



Socket; Snap-in version; 4-pole; 100% protected against mismatching

### Marking

RoHS ✓  
Compliant

### Business data

Supplier	WAGO
Item no.	770-744
GTIN / EAN	4044918252683
Content	1
Order amount	100
Customer item number	

### Notes

*Note: All connectors for mounted installations (snap-in versions for lighting fixtures or devices, all types of PCB and distribution connectors) are factory-equipped with locking levers to ensure plugs and sockets are securely locked. Additional locking levers are only required for flying leads (plug/socket). IP20, with strain relief housing (These compact connectors are not designed for use in open, easily accessible areas) Note on Continuous Service Temperature: -35°C ... +85°C PVC cable for temperatures 70 °C (including halogen-free) Insulating parts for temperatures 105 °C*

### Technical data

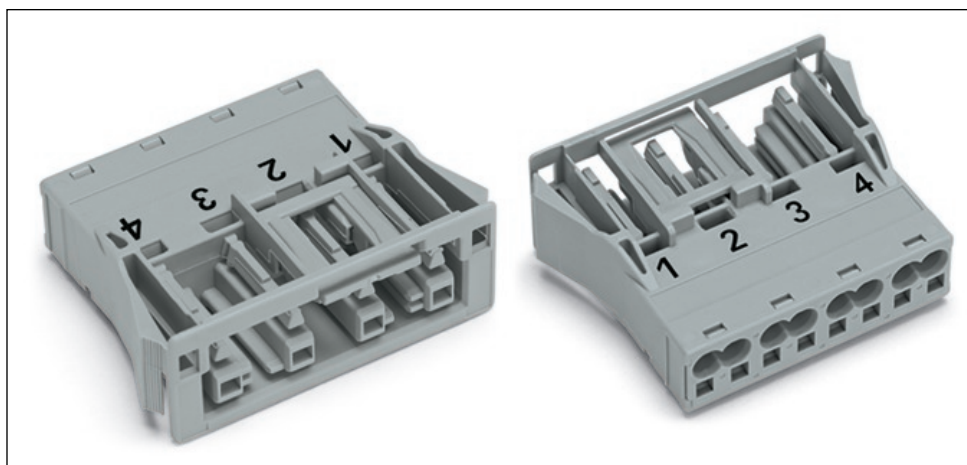
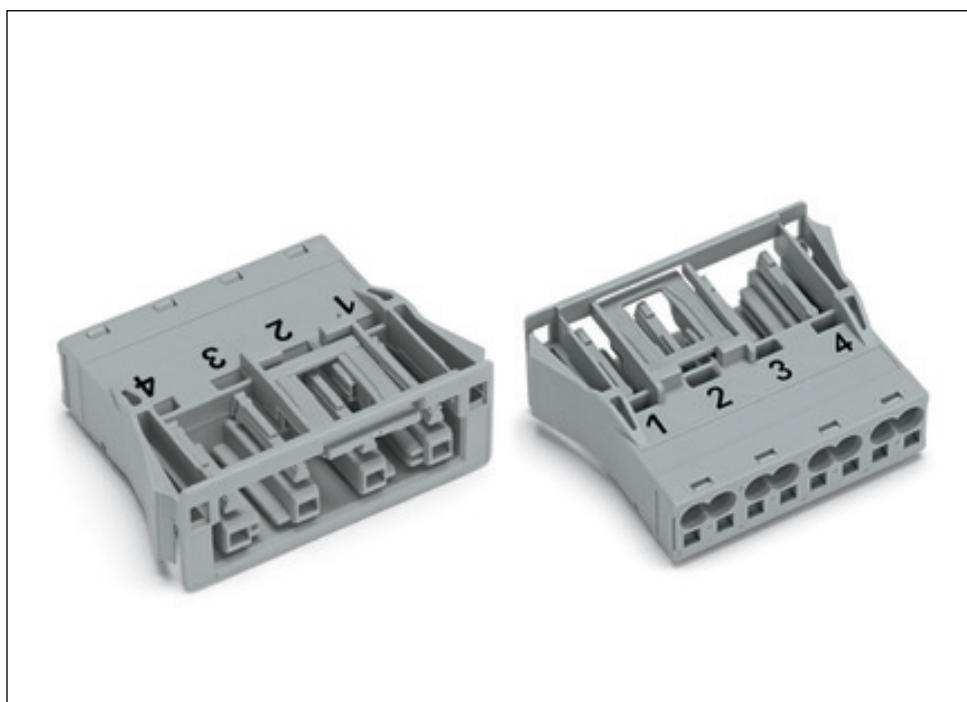
#### Miscellaneous

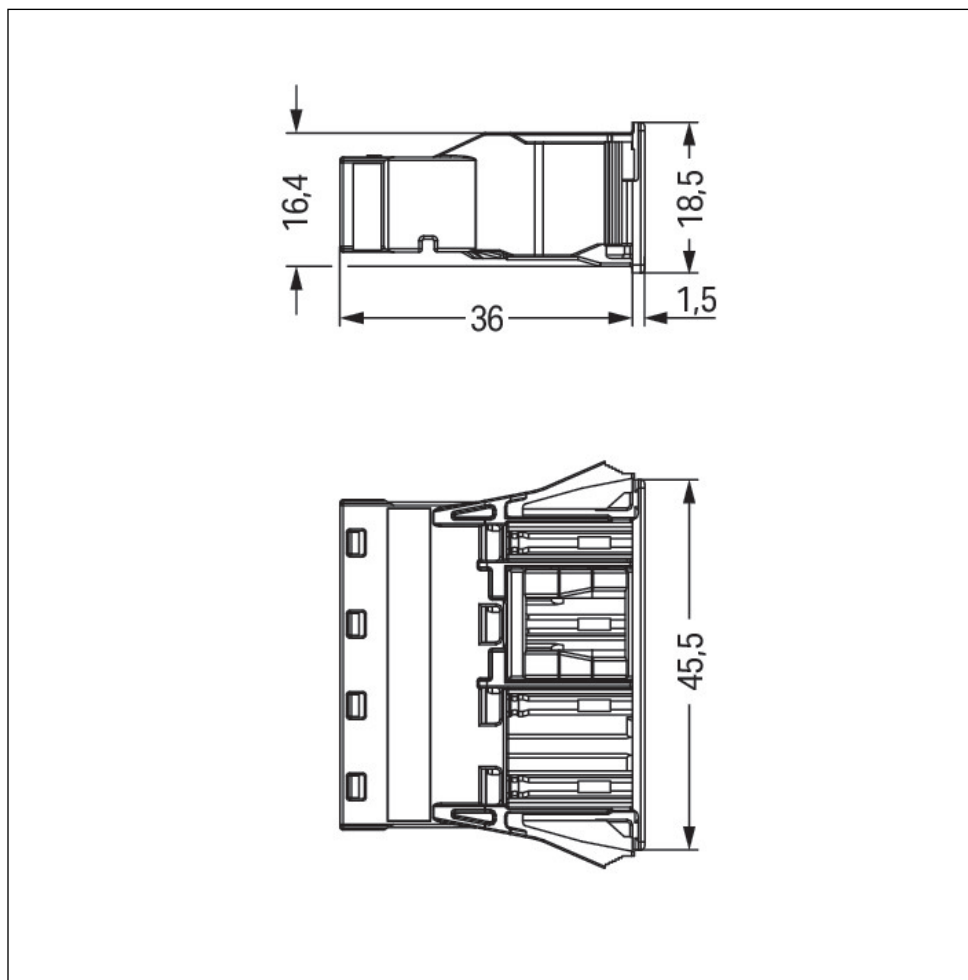
Other versions (or variants) can be requested from WAGO Sale	Other pole markings
---	---------------------

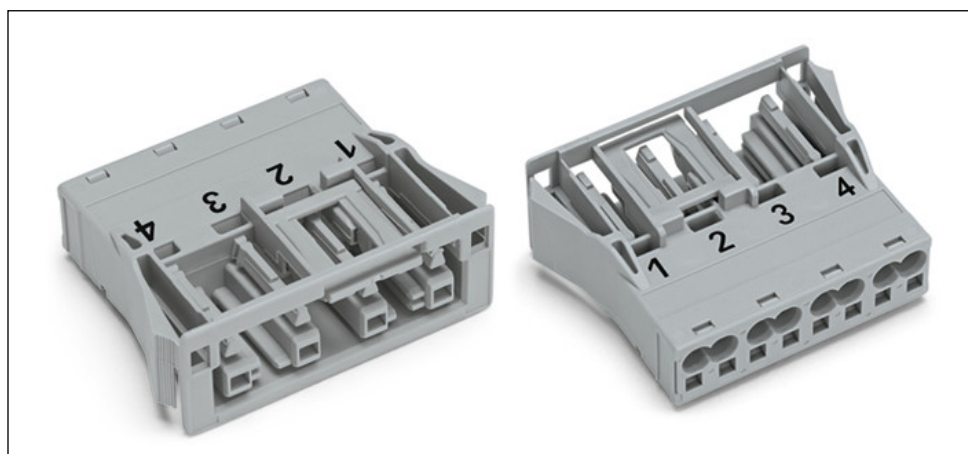
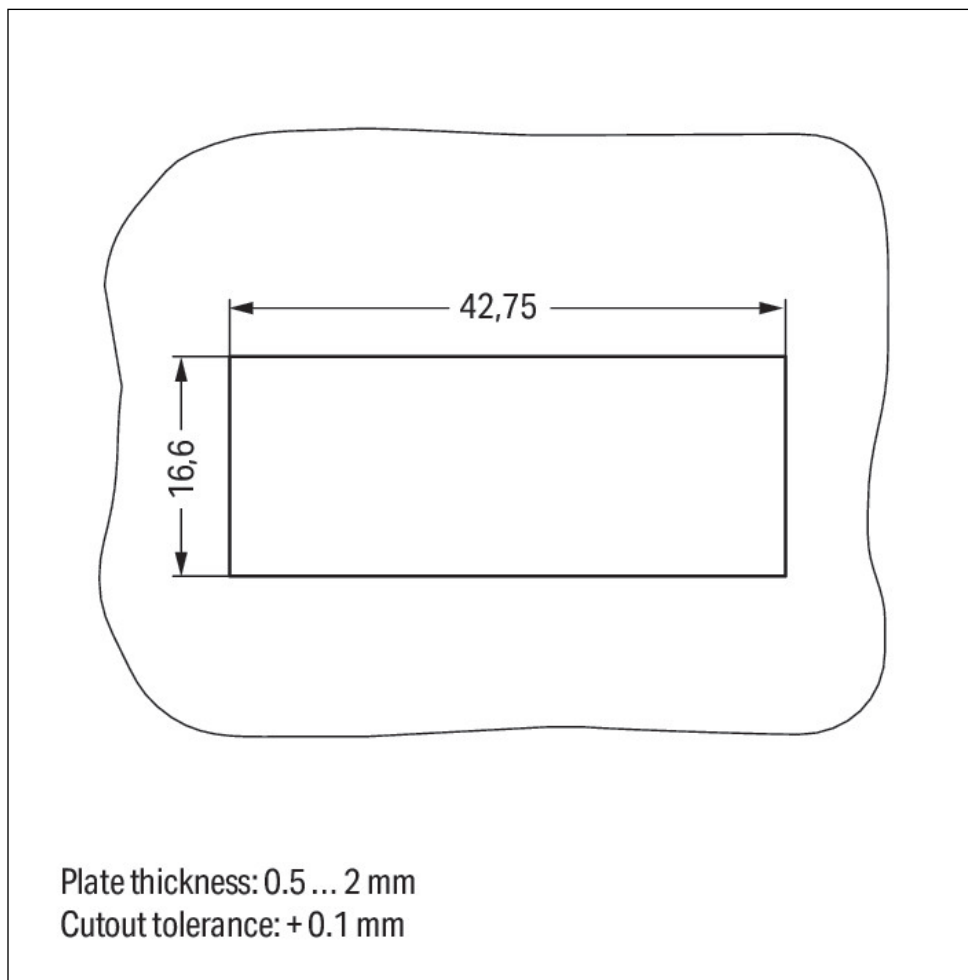
<b>Technical data</b>	
Connection technology	Push-in CAGE CLAMP®
Actuation type	Operating tool
Nominal cross section	4 mm <sup>2</sup>
Solid conductor	0.5 ... 4 mm <sup>2</sup> / 20 ... 12 AWG
Solid conductor, push-in termination	1.5 ... 4 mm <sup>2</sup> / 16 ... 12 AWG
Stranded conductor	0.5 ... 2.5 mm <sup>2</sup> / 20 ... 14 AWG
Fine-stranded conductor	0.5 ... 4 mm <sup>2</sup> / 20 ... 12 AWG
Fine-stranded conductor with ferrule with plastic collar	0.25 ... 1.5 mm <sup>2</sup> / 20 ... 16 AWG
Fine-stranded conductor with ferrule without plastic collar	0.25 ... 2.5 mm <sup>2</sup> / 20 ... 14 AWG
Fine-stranded conductor with ferrule, push-in termination, f	1.5 mm <sup>2</sup> / 16 AWG
Strip length	9 mm / 0.35 Inch
No. of poles	4
Total number of connection points	8
Total number of potentials	4
Pin spacing	10&nbsp;mm (0.394&nbsp;in)
Width	45.5 mm / 1.791 in
Height	18.5 mm / 0.728 in
Depth	36 mm / 1.417 in
Coding	B
Mating force of a plug-in connection	approx. 20 ... 70 N (depending on pole number)
Retention force of a plug-in connection	when locked: > 80N
Unmating force of a plug-in connection	when unlocked: approx. 20 ... 70 N (depending on pole number)
Housing sheet thickness	0.5 ... 2 mm / 0.02 ... 0.079 in
Mounting type	Snap-in
Marking	1 2 3 4
Degree of protection	IP20
Potential marking	1 2 3 4
Contact type (pluggable connector)	Female connector/socket
Connector connection type	for conductors
Locking of plug-in connection	locking lever
Locking lever	yes
Color	gray
Insulating material	Polyamide 66 (PA 66)

<b>Technical data</b>	
<i>Flammability class per UL94</i>	<i>V0</i>
<i>Clamping spring material</i>	<i>Chrome nickel spring steel (CrNi)</i>
<i>Contact material</i>	<i>Copper or copper alloy, surface-treated</i>
<i>Fire load [MJ]</i>	<i>0.301 [MJ]</i>
<i>Weight [g]</i>	<i>15.63 [g]</i>
<i>Surrounding air (operating) temperature</i>	<i>-35 ... 85 °C</i>
<i>Processing temperature</i>	<i>-5°C ... +40°C</i>
<i>Continuous operating temperature from [°C]</i>	<i>-35 [°C]</i>
<i>Continuous operating temperature up to [°C]</i>	<i>85 [°C]</i>
<i>Packaging type</i>	<i>BOX</i>
<i>[mm]</i>	<i>45.5 [mm]</i>
<i>Pin spacing from [in]</i>	<i>0.394 [in]</i>
<i>Pin spacing from [mm]</i>	<i>10 [mm]</i>
<i>Contact type</i>	<i>Female connector/socket; for conductors</i>
<i>suitable for through-panel applications</i>	<i>Yes</i>
<i>Product Family</i>	<i>WINSTA MIDI special</i>
<i>Main product function</i>	<i>Female connector/socket</i>
<i>Product type</i>	<i>Pluggable installation connector</i>

Images & drawings







**Address**

WAGO Kontakttechnik GmbH & Co. KG

Hansastr. 27

32423 Minden

Telefon: 0571/887-0

Fax: 0571/887-169

<http://www.wago.com>

© WAGO Kontakttechnik GmbH & Co. KG

Technische Änderungen und Irrtümer vorbehalten.