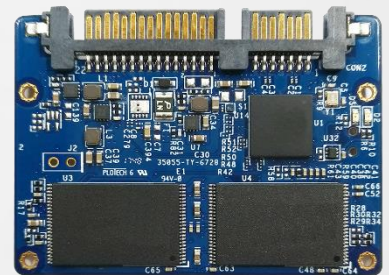


## The Most **Reliable** Storage For Industries

**SV170-297**



## SV170-297

### Overview

Apacer's SV170-297 (JEDEC MO-297) utilizes 3D NAND for higher capacity up to 480GB and provides more power efficiency than 2D NAND with compact form factor and great performance. Designed in SATA 6 Gb/s interface, the MO-297 SSD is able to deliver exceptional read/write speed, making it the ideal companion for heavy-loading embedded or server operations with space constraints for host computing systems.



Regarding reliability, SV170-297 is implemented with LDPC (Low Density Parity Check) ECC engine to extend SSD endurance and increase data reliability. In addition, the drive comes with various implementations including power saving modes, global wear leveling, flash block management, S.M.A.R.T., TRIM, power failure management and Hyper Cache technology.

\* The actual available memory on the device is less than what is listed on the package. This is due to small discrepancies in file formats and algorithms used by various operating systems. In addition, a portion of memory space is reserved for system files and data sectors for better performance.

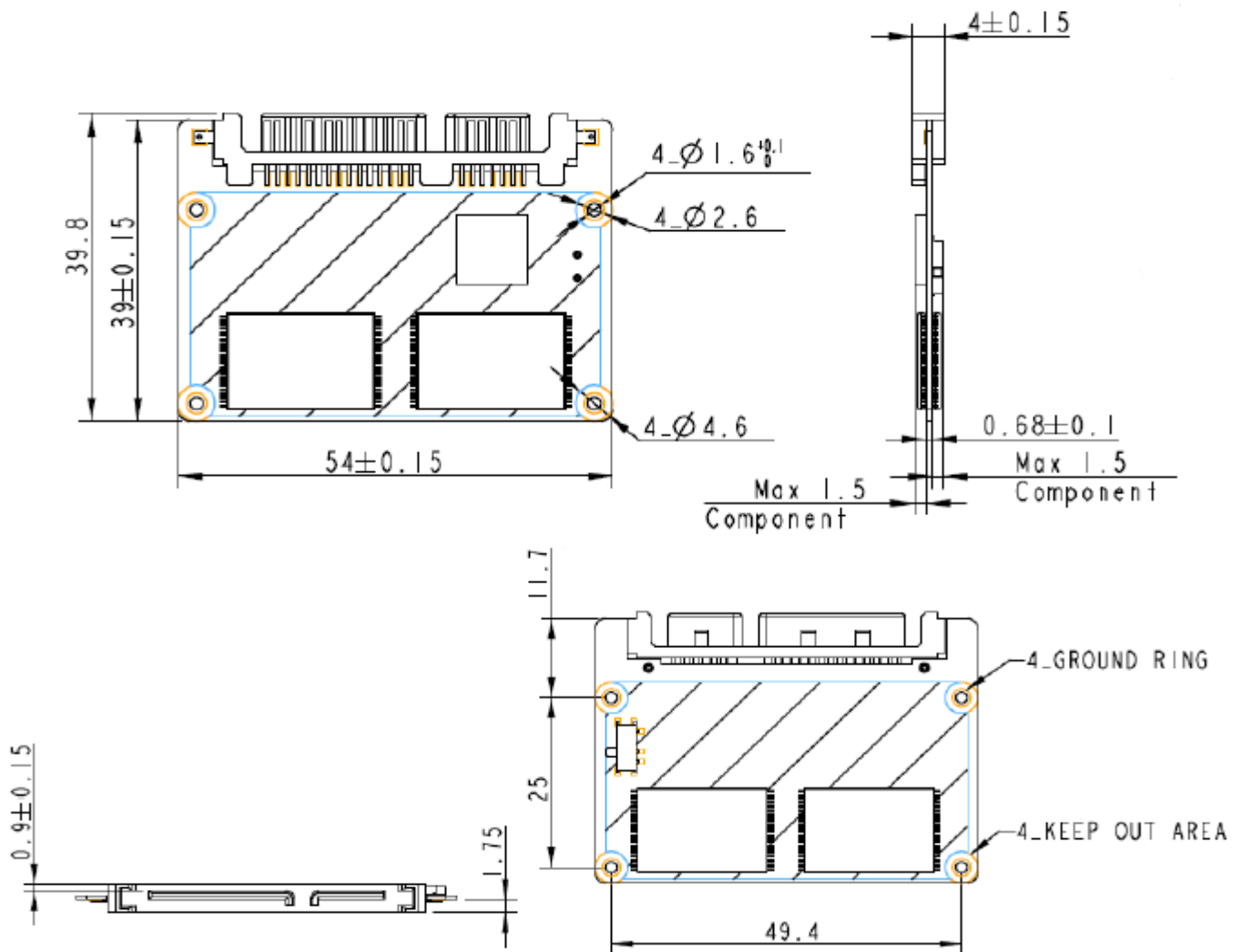
## Feature

- Low-Density Parity-Check (LDPC) Code
- Global Wear Leveling
- Flash bad-block management
- Flash Translation Layer: Page Mapping
- S.M.A.R.T.
- Power Failure Management
- End-to-End Data Protection
- Device Sleep
- ATA Secure Erase
- TRIM
- Hyper Cache Technology
- Over-Provisioning
- DataRAID™
- SMART Read Refresh™

## Specifications

<b>Model</b>	SV170-297
<b>Interface</b>	SATA 3.2 (6Gb/s)
<b>Connector</b>	(7+15) pin male
<b>Form Factor</b>	JEDEC MO-297
<b>NAND Flash Type</b>	3D TLC
<b>Capacity</b>	30GB ~ 480GB
<b>External DRAM</b>	No
<b>Sustained Read Performance (MB/sec)</b>	Up to 560
<b>Sustained Write Performance (MB/sec)</b>	Up to 500
<b>ECC Engine</b>	Low-Density Parity-Check (LDPC) Code
<b>IOPs (4K Random Write)</b>	84K
<b>Standard Operating Temperature ( °C )</b>	0 ~ + 70
<b>Extended Operating Temperature ( °C )</b>	-40 ~ + 85
<b>Storage Temperature ( °C )</b>	-40 ~ + 100
<b>Housing</b>	No
<b>H/W Write Protect</b>	No
<b>Thermal Sensor</b>	Yes
<b>Shock</b>	Operation: 50G/11ms (compliant with MIL-STD-202G) Non-operation: 1500G/0.5ms (compliant with MIL-STD-883K)
<b>Vibration</b>	Operation: 7.69 Grms, 20~2000 Hz/random (compliant with MIL-STD-810G) Non-operation: 4.02 Grms, 15 ~ 2000 Hz/sine (compliant with MIL-STD-810G)
<b>Operating Voltage</b>	5.0 V ± 5%
<b>Power Consumption</b>	Active mode: 315 mA / Idle mode: 75 mA
<b>Dimension (L x W x H )</b>	54.00 x 39.80 x 4.00 mm
<b>MTBF (hours)</b>	>3,000,000

## Mechanical Specification



Unit: mm

For more information,  
contact your Apacer representative

### Global Presence

Taiwan (Headquarters)  
Apacer Technology Inc.  
Tel: +886-2-2267-8000  
Fax: +886-2-2267-2261

Europe  
Apacer Technology B.V.  
Tel: +31-40-267-0000  
Fax: +31-40-290-0686

U.S.A.  
Apacer Memory America, Inc.  
Tel: +1-408-518-8699  
Fax: 1-510-249-9551

China  
Apacer Electronic(Shanghai)  
Co., Ltd.  
Tel: +86-21-6228-9939

Japan  
Apacer Technology Corp.  
Tel: +81-3-5419-2668  
Fax: +81-3-5419-0018

India  
Apacer Technologies Pvt. Ltd.  
Tel: +91-80-41529061~3  
Fax: +91-80-41700215