

MATERIAL

Insulator : NY6T UL94-V0
 Contact Pin : Phosphor Bronze

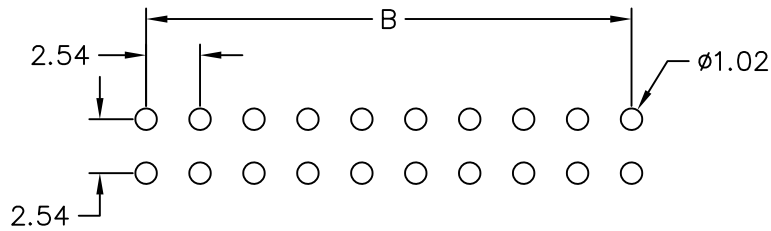
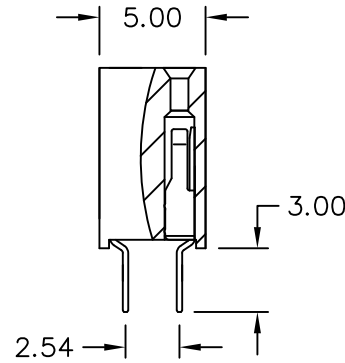
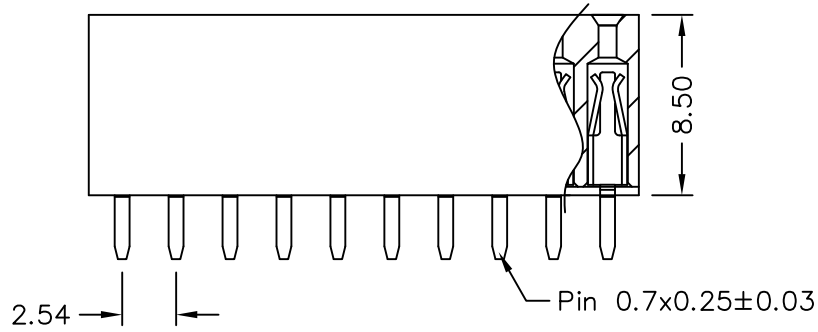
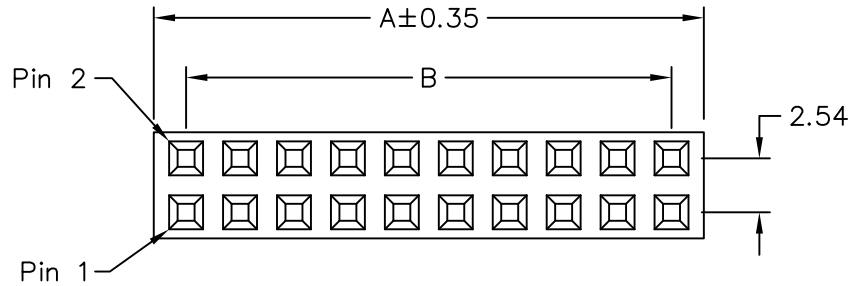
SPECIFICATION

Current Rate : 3 AMP
 Insulation Resistance : 5000MΩMin.
 Contact Resistance : 20mΩMax.
 Dielectric Voltage : AC 500V for one minute
 Operation Temperature : -40°C to + 105°C



61W-9 2- xx G B 00
 1 2 3 4 5 6

1. 7: Green Product
- 9: Green Product High Temp
2. 1: Single row
- 2: Dual rows
3. No. of contacts per row
4. G: Gold flash
- T: Tin plated
5. B: Black Insulator
6. Pinrex internal code.



Recommended P.C.B Layout

Note:

2*2 2*4 2*9 2*10 為無肉厚,其餘PIN提供有肉厚



POLES	DIM A	DIM B	POLES	DIM A	DIM B
			21	53.74	50.80
2	5.08	2.54	22	56.28	53.34
3	8.02	5.08	23	58.82	55.88
4	10.16	7.62	24	61.36	58.42
5	13.10	10.16	25	63.90	60.96
6	15.64	12.70	26	66.44	63.50
7	18.18	15.24	27	68.98	66.04
8	20.72	17.78	28	71.52	68.58
9	22.86	20.32	29	74.06	71.12
10	25.40	22.86	30	76.60	73.66
11	28.34	25.40	31	79.14	76.20
12	30.88	27.94	32	81.68	78.74
13	33.42	30.48	33	84.22	81.28
14	35.96	33.02	34	86.76	83.82
15	38.50	35.56	35	89.30	86.36
16	41.04	38.10	36	91.84	88.90
17	43.58	40.64	37	94.38	91.44
18	46.12	43.18	38	96.92	93.98
19	48.66	45.72	39	99.46	96.52
20	51.20	48.26	40	102.0	99.06

REV.	DESCRIPTION	DATE
B	UPDATE	2019/11/25
A	RELEASE	2014/06/10

TOLERANCE

.0 =±.30
 .00 =±.20
 .000 =±.XXX
 .0000=±.
 ANG.=±3'

UNITS : mm

SCALE NONE SIZE A4

OLD PART NO.

DRAWER 袁丽娜 CHECK 李劍

SHEET 1 OF 1 REV. B APP'D 李劍

TITLE

FEMALE HEADER 2.54*2.54mm
 STRAIGHT TYPE TRIPLE CONTACT
 DUAL ROWS,HEIGHT 8.5mm

NEW PART NO.
 61W-92-xxGB00

頻銳科技股份有限公司
 PINREX TECHNOLOGY CORP.

DRAW NO.
 61W-92-xxGB00(B版)