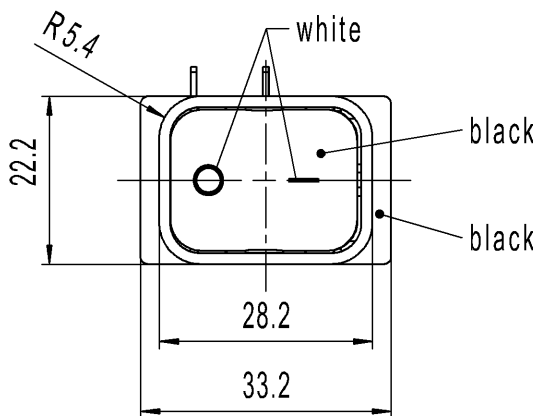
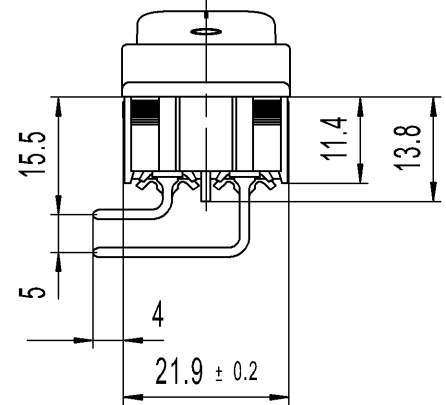
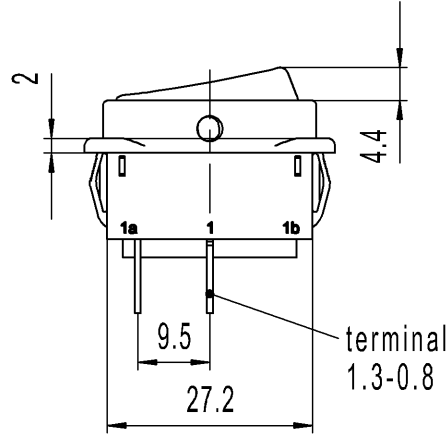
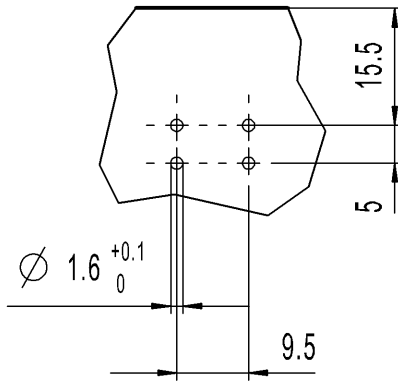


CONFIDENTIAL

VERTRAULICH

THIS DRAWING IS THE EXCLUSIVE PROPERTY OF MARQUARDT. WITHOUT THEIR CONSENT IT MAY NOT BE REPRODUCED OR GIVEN TO THIRD PARTIES.

A	recommended cut-out for snap-in fixing (edge opposite to snap-in direction)	1	2	3	4
		wall thickness	length of cut-out	width of cut-out	
		0.75 to 1.25	30.0 -0.1	22 +0.2	
		1.25 to 2	30.2 -0.1	22 +0.2	
		2 to 3	30.6 -0.1	22 +0.2	



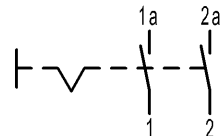
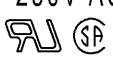
Marking:

1832.

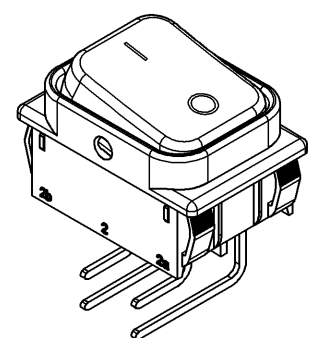
6(4)/250~ 5E4
10(4)/250~ T105/55



6A 125-250V AC
1/4HP 125V AC
1/2HP 250V AC
R30



DPST
Suitable for appliances of class II



Code of manufacture:
place/year/week

-		-		-		1832.9102-XX	
Figure		Type		Customer Part No.		Art.No.-PI	
Shape and location	Angle ± 2°	Length		Radii		Sheet 01	Ident. K
	Edge tolerance	0-6 ± 0.2	±	0-6 ± 0.2	±		
⊙ ≡		>6-30 ± 0.4	±		±	Format DIN A4	Projection
		>30-70 ± 0.6	±		±		
		±	±	All dimensions are in millimetres		Appliance Switch	
e	138977	2021-10-21		MATHPATIR			
d	64507	2009-11-11		HHE			
c	39880	2004-08-09		HHE		System NX V1872	
b	23781	1996-03-14		GRH		Replacement of	
Index	MEC-No.	Date (YYYY-MM-DD)		Edited by		Zg.gl.Nr.v.30.01.1991	

Alle Rechte bei Marquardt, auch fuer den Fall von Schutzrechtsanmeldungen. Jede Veruegungsbefugnis, wie Kopier- und Weitergaberecht, bei uns.

©

