

CONFIDENTIAL

VERTRAULICH

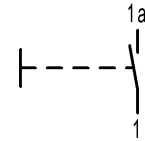
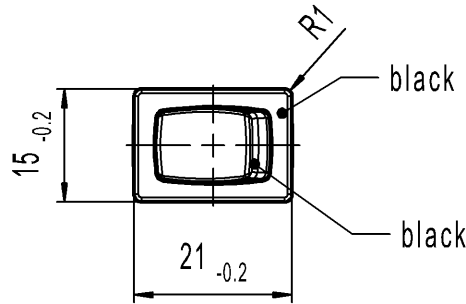
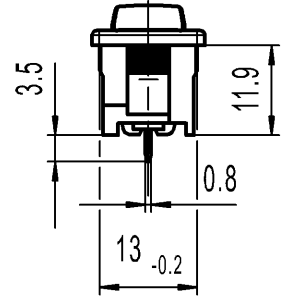
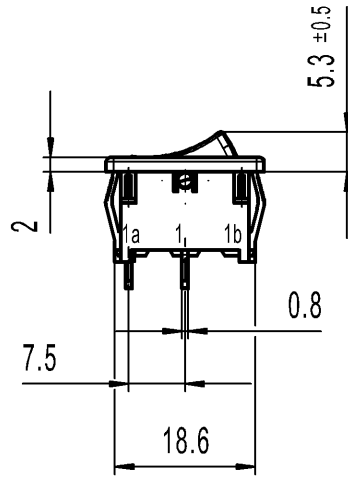
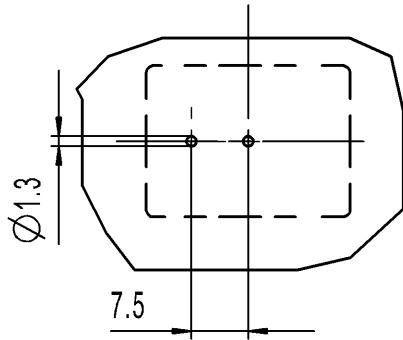
Alle Rechte bei Marquardt, auch fuer den Fall von Schutzrechtsanmeldungen. Jede Verfertigungsbefugnis, wie Kopier- und Weitergaberecht, bei uns.

THIS DRAWING IS THE EXCLUSIVE PROPERTY OF MARQUARDT. WITHOUT THEIR CONSENT IT MAY NOT BE REPRODUCED OR GIVEN TO THIRD PARTIES.

Recommended terminal layout, side of component, tolerances as per DIN IEC 326 item 3 very fine

recommended cut-out for snap-in fixing (edge opposite to snap-in direction)

wall thickness	length of cut-out	width of cut-out
0.75 to 1.25	19.2 -0.1	12.9+0.1
1.25 to 2	19.4 -0.1	12.9+0.1
2 to 3	19.8 -0.1	12.9+0.1



Marking

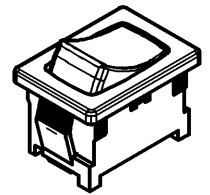


1801.
4(2)/250~ T100/55



6A 125V AC
4A 250V AC
1/10 HP 125-250V AC
R52

SPNO
Suitable for appliances of class II



Code of manufacture: place/year/week

-	-	-	1801.2202-XX
Figure	Type	Customer Part No.	Art.No.-PI
Shape and location	Angle ± 2°	Sheet 01	Ident. K
	Edge tolerance	Format DIN A4	Document number 18012202
	Length	Projection	Index c
	Radii	Scale 1:1	Appliance Switch
		All dimensions are in millimetres	
c	137838	2021-08-02	 MARQUARDT
b	29977	2000-11-15	
a	15837	1984-04-10	
Index	MEC-No.	Date (YYYY-MM-DD)	
		MOHITEN	System NX V1872
		GRH	Replacement of
		RIE	Zg.gl.Nr.v.25.06.1980
		Edited by	