

## 2J4301MPFx

GPS Adhesive/Magnetic Mount

### Key Features

GPS/QZSS/Galileo

- 1575 MHz

Adhesive/Magnetic Mount

Post-Filter

Voltage 2.7 - 5.5 V

Ground Plane Independent

Customizable Cable and Connector

Dimensions 38 x 34 x 13.5/14.5 mm

Certificates IP67



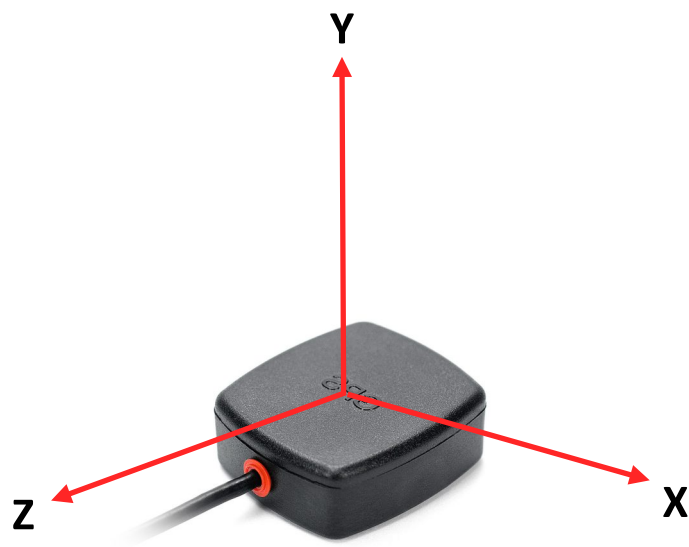
## 1. Antenna and electrical specifications

Passive Parameters	GPS Antenna
Standards	GPS/QZSS/Galileo
Bands (MHz)	1575
Frequency (MHz)	1575.42
Patch Size (mm)	25 x 25 x 4
Return Loss (dB)	~-25dB
VSWR	~1.1:1dB
Efficiency (%)	~69
Peak Gain (dBiC)	~3.9
Average Gain (dB)	~-1.6
Impedance (Ohm)	50
Radiation Pattern	Hemispherical
Axial Ratio (dB)	3 Max
Polarization	RHCP

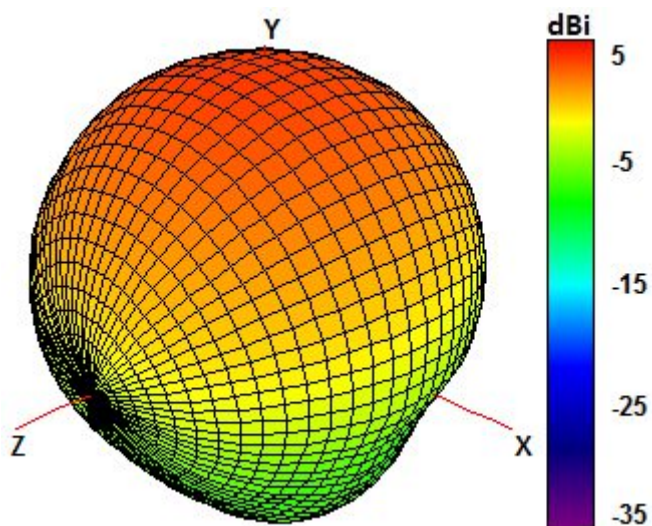
Active Parameters	GPS Antenna
Standards	GPS/QZSS/Galileo
Bands (MHz)	1575
Frequency (MHz)	1575.42
Impedance (Ohm)	50
VSWR	<1.2:1
Radiation Pattern	Hemispherical
Polarization	RHCP
Saw Filter	Post-Filter
Active Gain (dB)	23 @ 3V, 24 @ 5V
Noise Figure (dB)	1.15
Voltage (V)	2.7 - 5.5
Current (mA)	15 - 25
Power Consumption (mW)	138 Max
Connector Type	SMA-Male Standard (Other Connectors Available)
Cable Length (m)	300cm Standard (Any Cable Length Available)
Cable Type	RG174 Standard (Other Cables Available)

## 2. Mechanical and environmental specifications

Specifications	2J4301MPFx
<b>Mounting Type</b>	Adhesive/Magnetic Mount
<b>Dimensions (mm)</b>	38 x 34 x 13.5/14.5
<b>Random Type</b>	ABS
<b>Random Color</b>	Black
<b>Antenna Base</b>	ABS
<b>Operating Temperature (C)</b>	-40 to +85
<b>Storage Temperature (C)</b>	-40 to +85
<b>Certificates</b>	IP67
<b>Substance Compliance</b>	RoHS

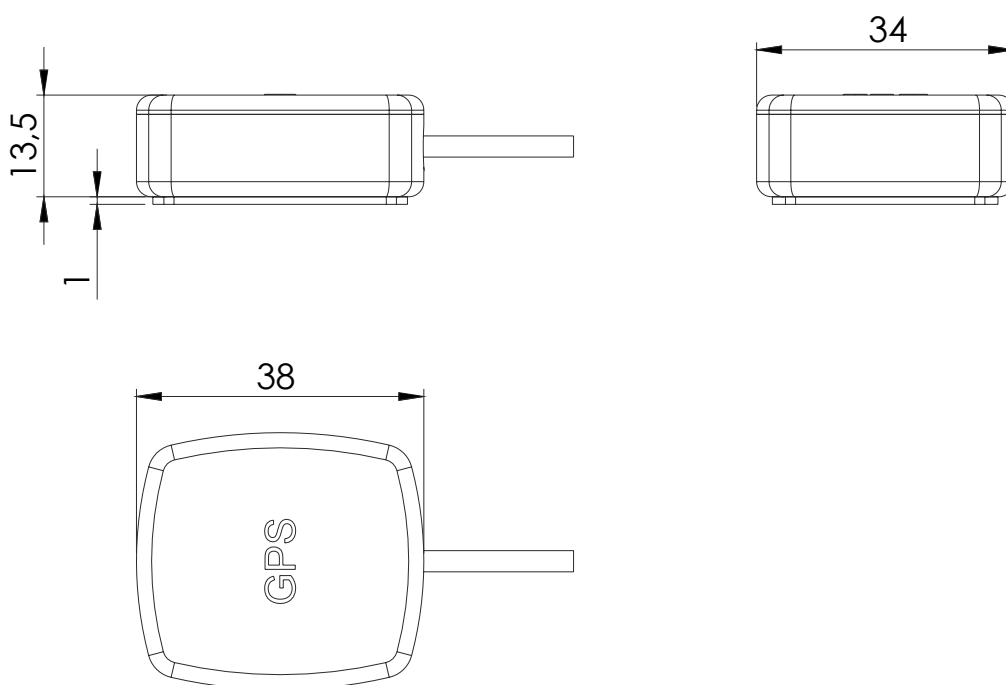


Radiation pattern reference



1575 MHz Radiation pattern

## 4. Antenna drawings



## 5. Antenna Images

