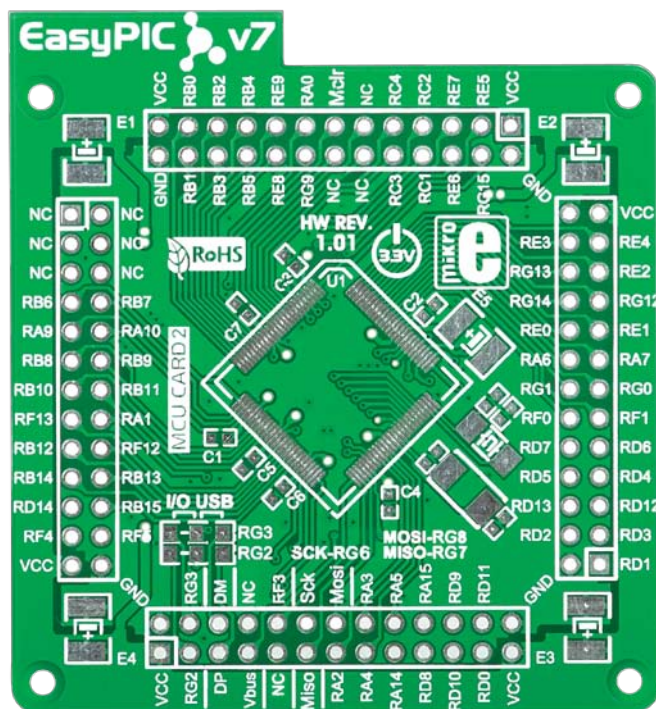


Empty 100-pin TQFP PT MCU CARD 2



Supported microcontrollers

PIC32MX320F128L

PIC32MX340F128L

PIC32MX360F256L

PIC32MX360F512

PIC32MX440F128

PIC32MX460F256L

PIC32MX460F512L

Bill of Materials for PT MCU card 2

Designator	Comment	Footprint
C1	100nF	0603
C2	100nF	0603
C3	100nF	0603
C4	100nF	0603
C5	100nF	0603
C6	100nF	0603
C7	100nF	0603
C8	22pF	0603
C9	22pF	0603
C10	22pF	0603
C11	22pF	0603
E1	10uF	ELCO CASE-B
E2	10uF	ELCO CASE-B
E3	10uF	ELCO CASE-B
E4	10uF	ELCO CASE-B
E5	10uF	ELCO CASE-B
HD1	M2X26	HEADER 2x13A
HD2	M2X26	HEADER 2x13B
HD3	M2X26	HEADER 2x13C
HD4	M2X26	HEADER 2x13D
J1	OR	0805 DUAL
J2	OR	0805 DUAL
U1	MICROCONTROLLER	LQFP-100
X1	8MHz	CRYSTAL ABM7 SMD V2
X2	32.768KHz	FC-255

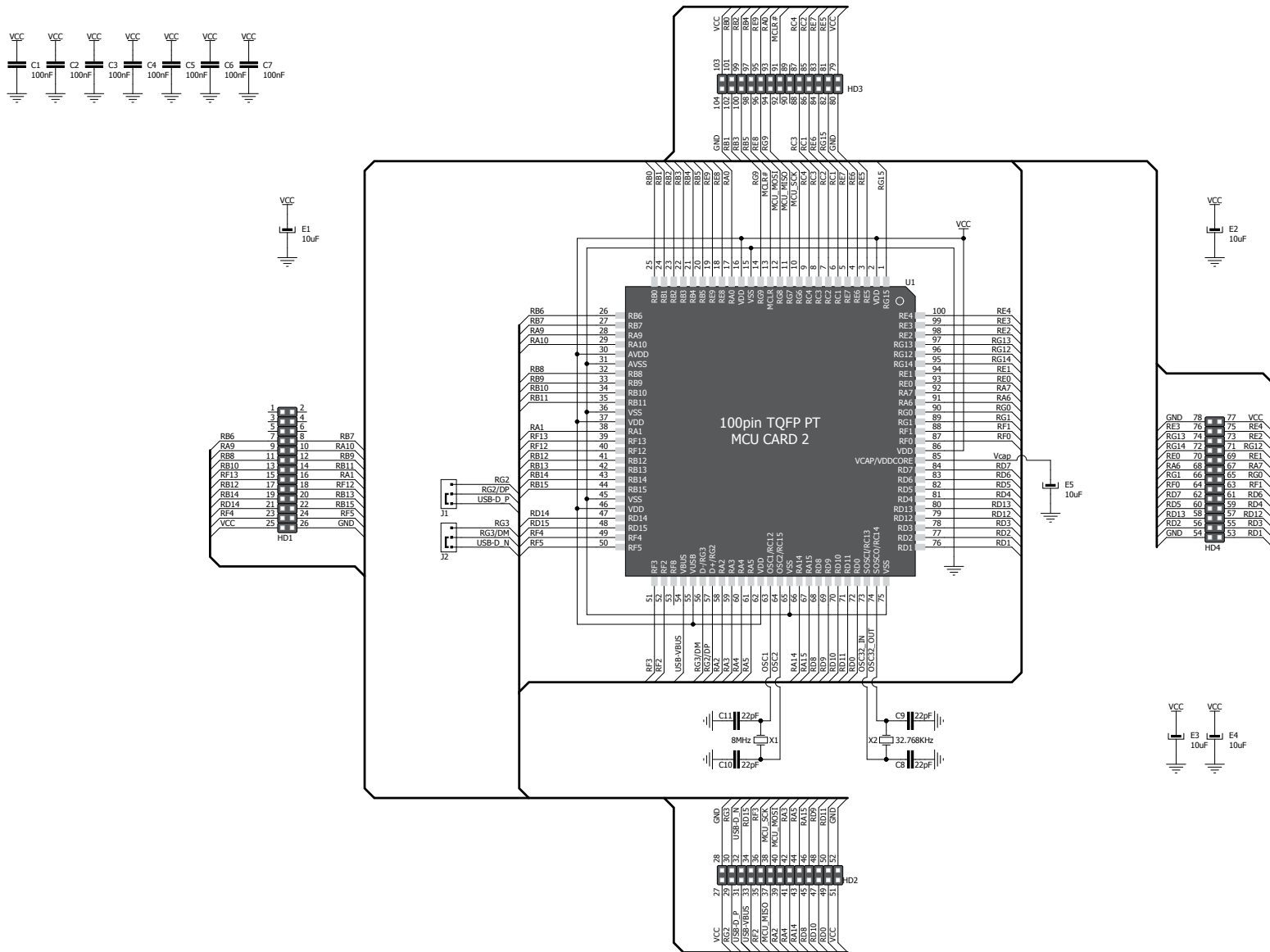


Figure 1: MCU card schematic

Card dimensions

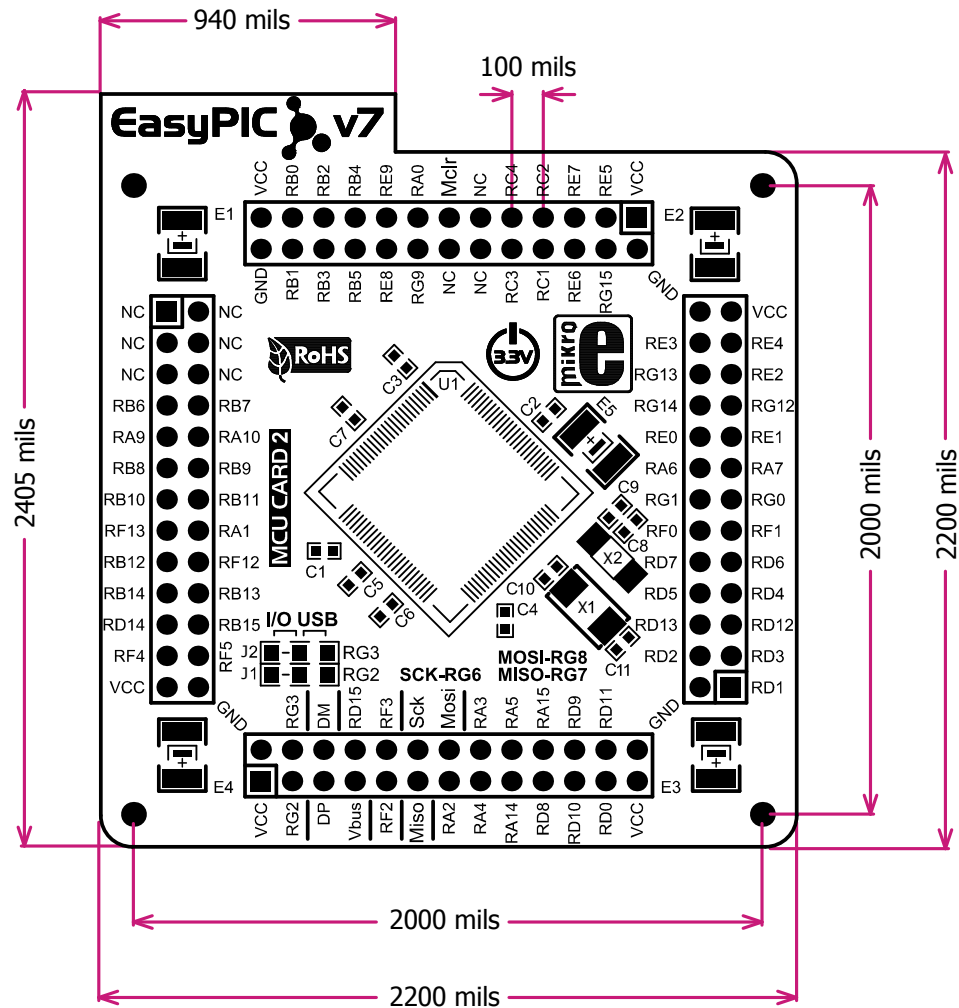
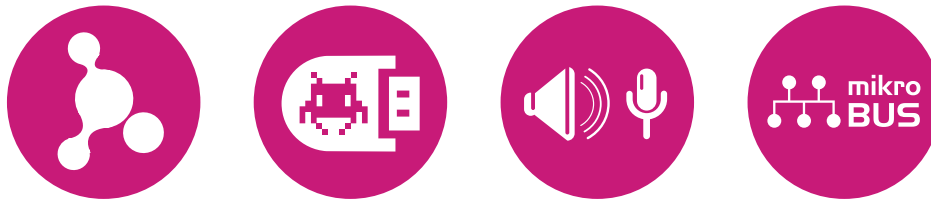


Figure 2: MCU card dimensions.



If you want to learn more about our products, please visit our website at www.mikroe.com

If you are experiencing some problems with any of our products or just need additional information, please place your ticket at www.mikroe.com/esupport

If you have any questions, comments or business proposals,
do not hesitate to contact us at office@mikroe.com