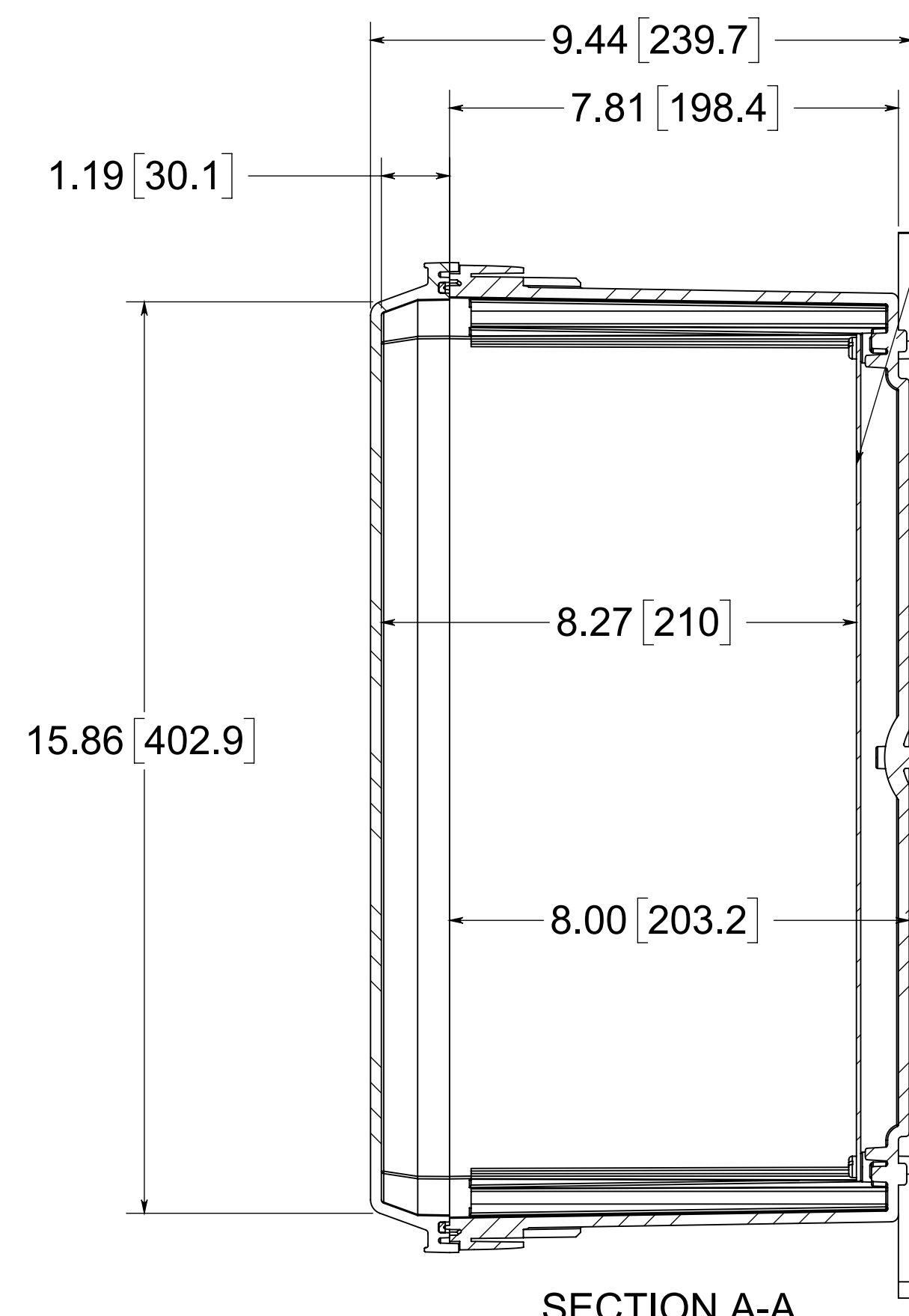
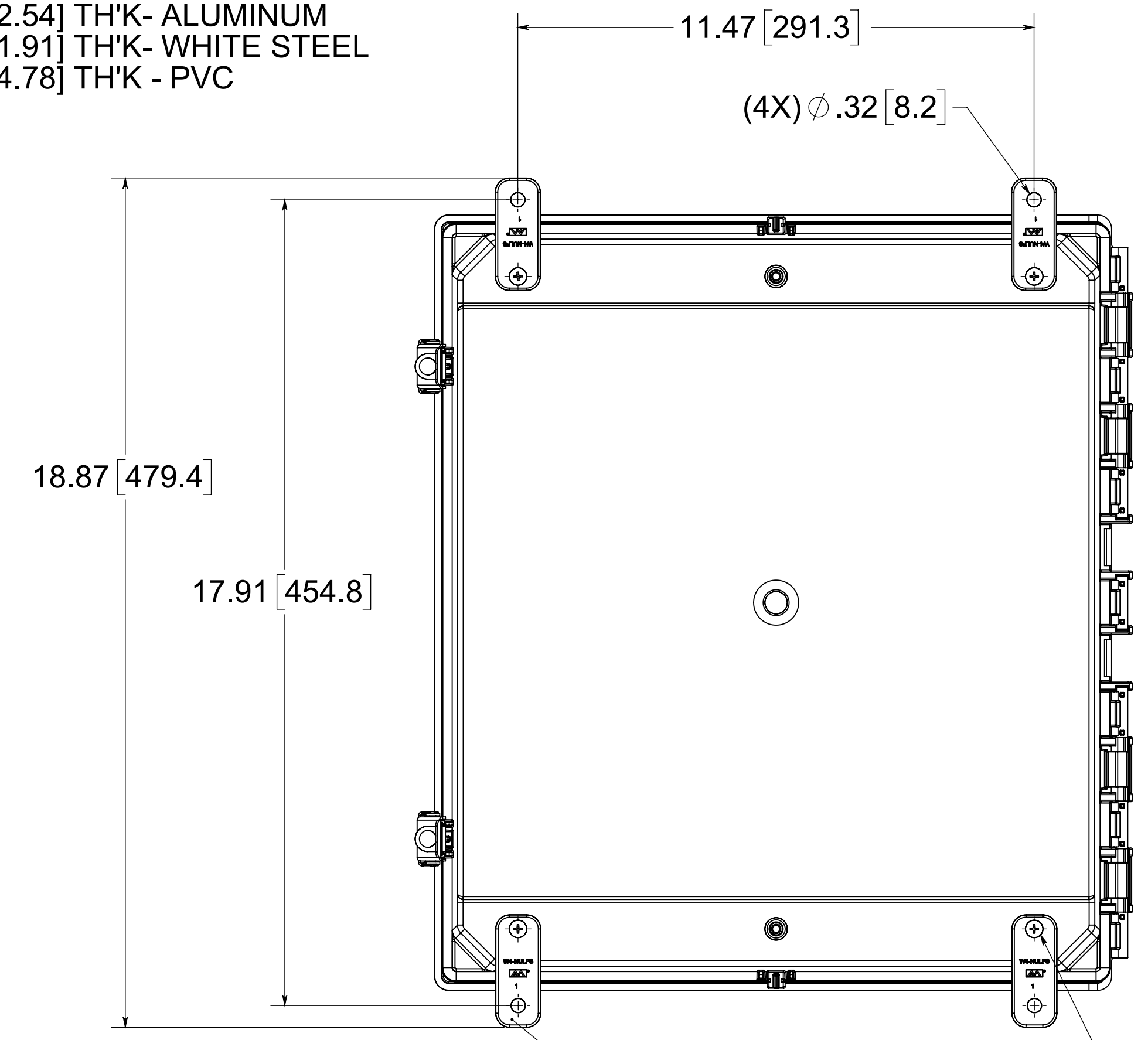


(4X) SNAP-IN POLYCARBONATE HINGE KNUCKLE



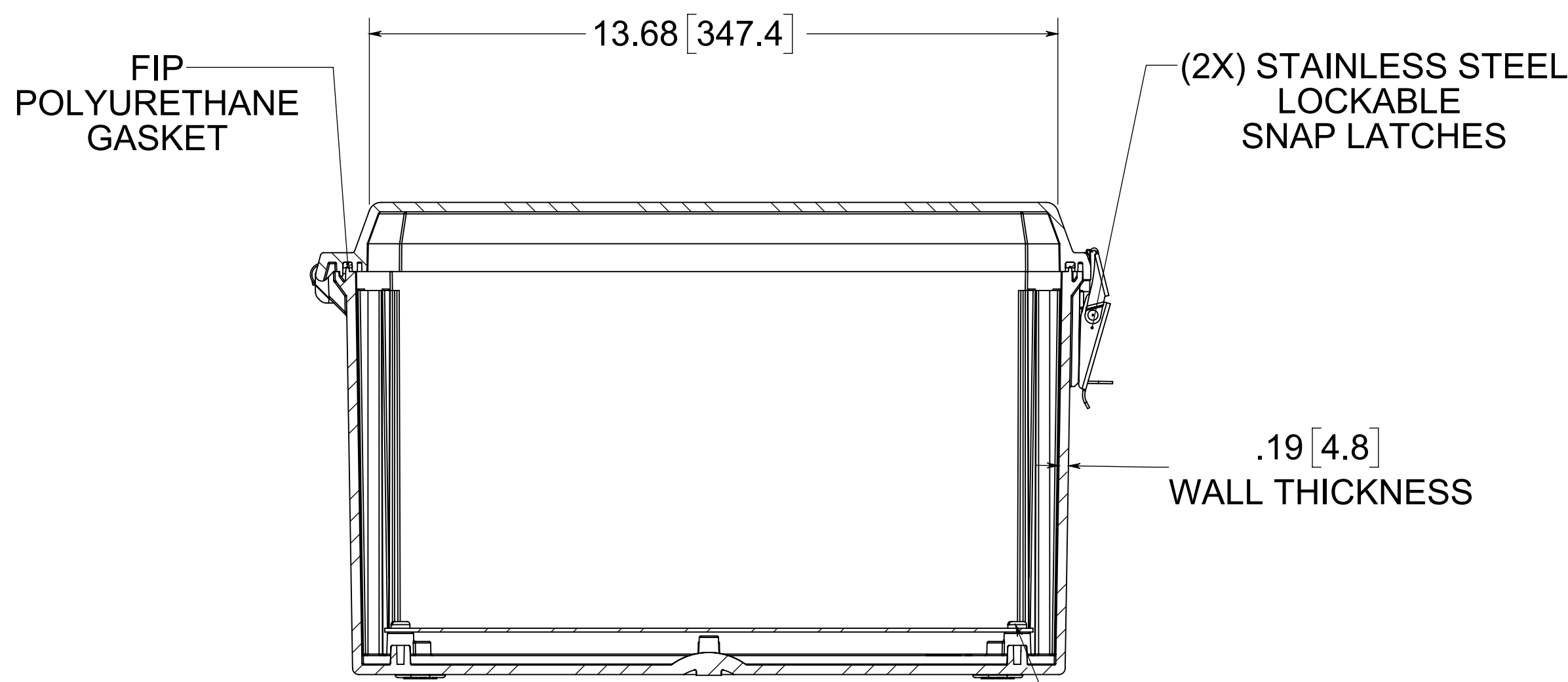
SECTION A-A

OPTIONAL BACK PANEL
 0.100 [2.54] TH'K- ALUMINUM
 0.075 [1.91] TH'K- WHITE STEEL
 0.188 [4.78] TH'K - PVC



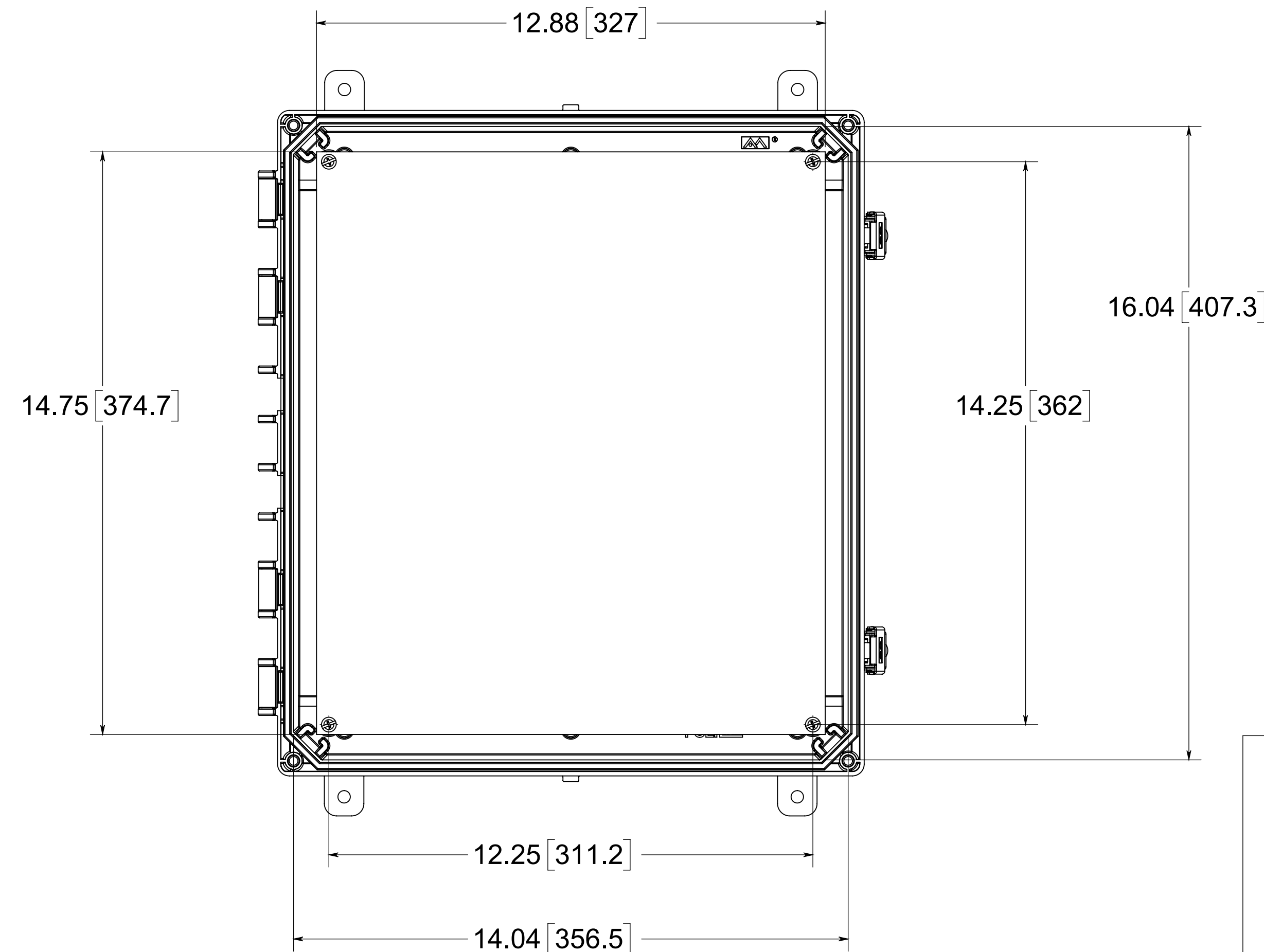
(4X) POLYCARBONATE FEET

(4X) #10-32 BRASS INSERTS, 316 STAINLESS STEEL FLANGE AND FEETSCREWS



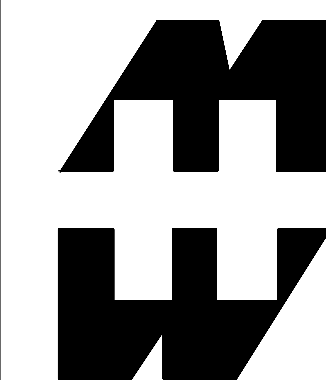
SECTION B-B

(4X) #10-32 BRASS INSERTS AND PLATED CARBON STEEL TRUSS SCREWS



NOTE:
 1. DATA SUBJECT TO CHANGE

MATERIAL:
 BOX- INJECTED POLYCARBONATE
 STANDARD COVER - INJECTED POLYCARBONATE
 CLEAR COVER - INJECTED POLYCARBONATE



PART No. PCJ16148L

for more information visit www.hammfg.com
 Data subject to change without notice

Drawing Not to Scale